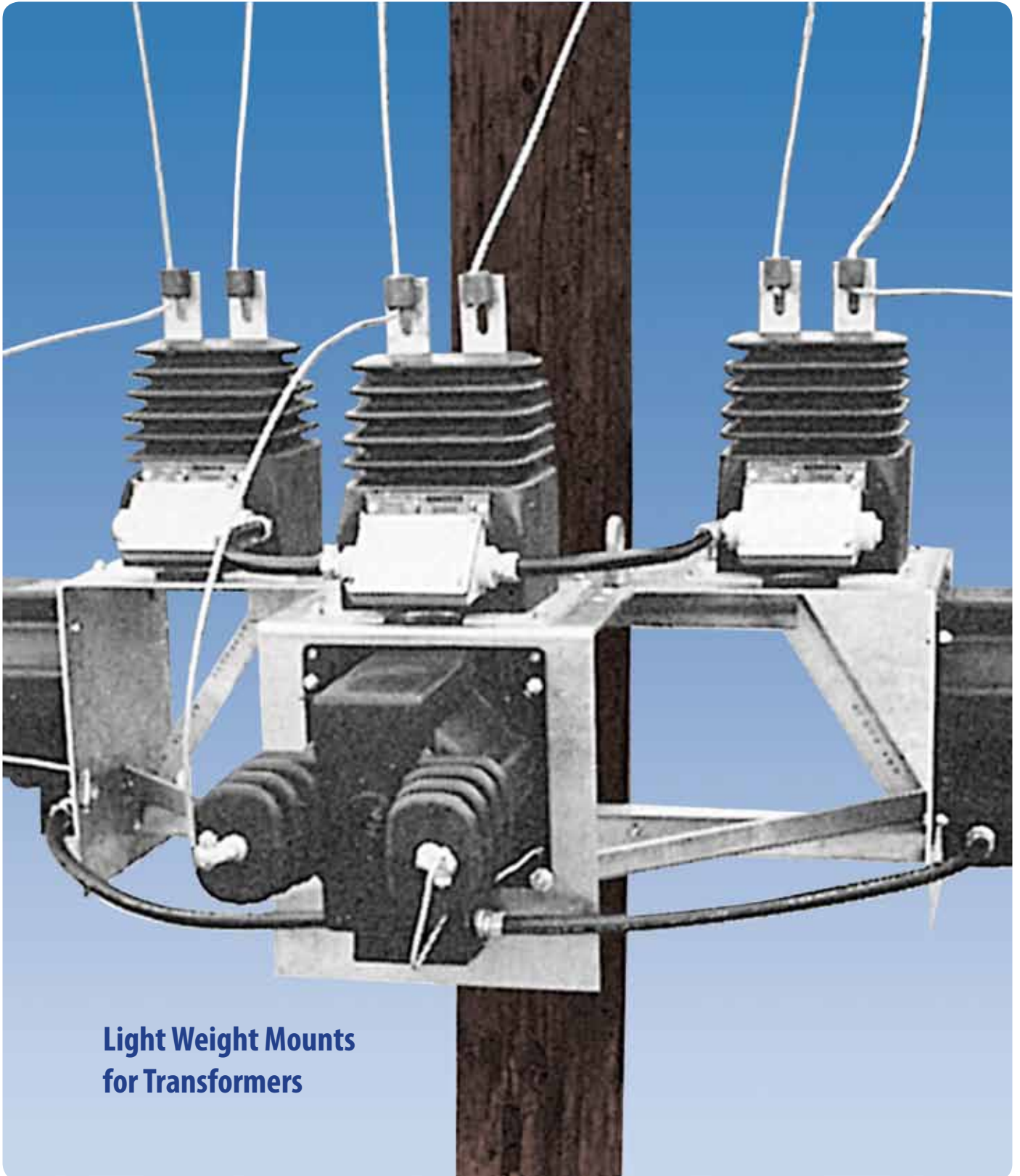




ALUMA-FORM®

PRIMARY METERING MOUNTS

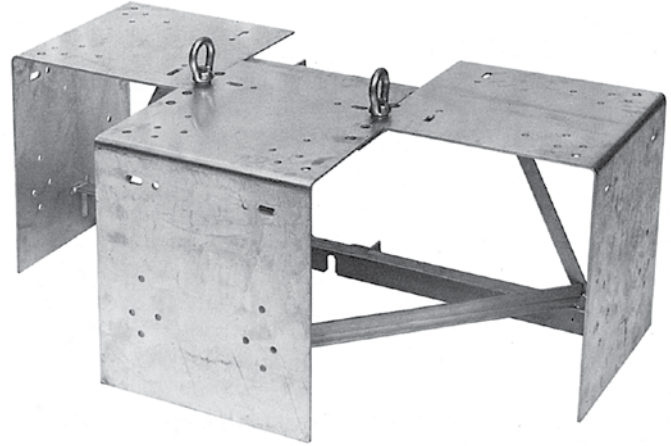


**Light Weight Mounts
for Transformers**

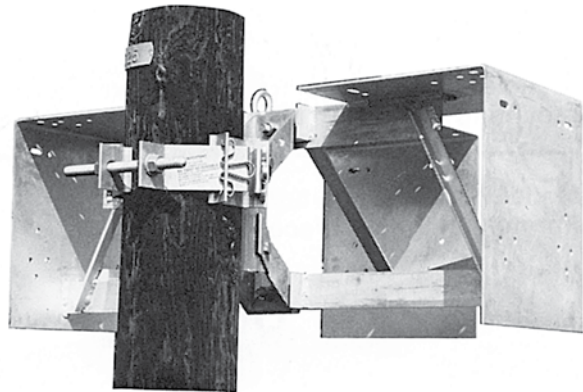


PRIMARY METERING MOUNTS

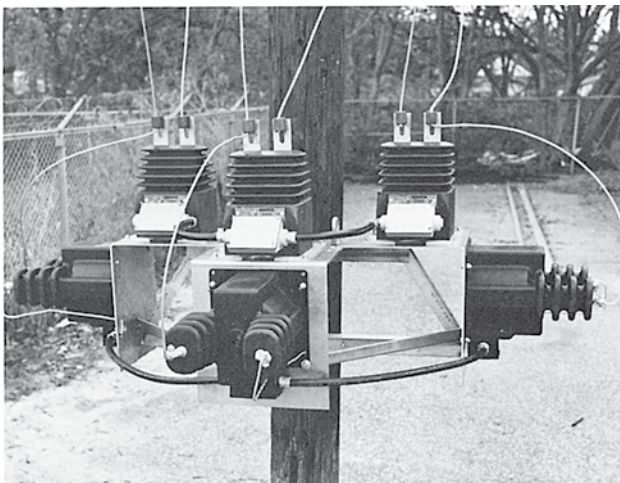
All aluminum, light weight construction for mounting current and potential transformers for primary metering hookups. Mount comes as shown ready to be made up in the meter shop, and carried to the job already wired and tested, with instrument transformers in place. Units are predrilled for quick and easy installation as per detail sheet. Oval eye nuts may be moved to obtain best possible center of gravity for lifting completed unit to pole mounting height in horizontal plane. Unit shown is for thru-bolt mounting on two 5/8" thru-bolts (not provided) on 11-1/4" centers. For band mounting on round wood, concrete or steel poles, or for additional distance from pole surface, units can be mounted on our regular line of single position transformer cluster mounts.



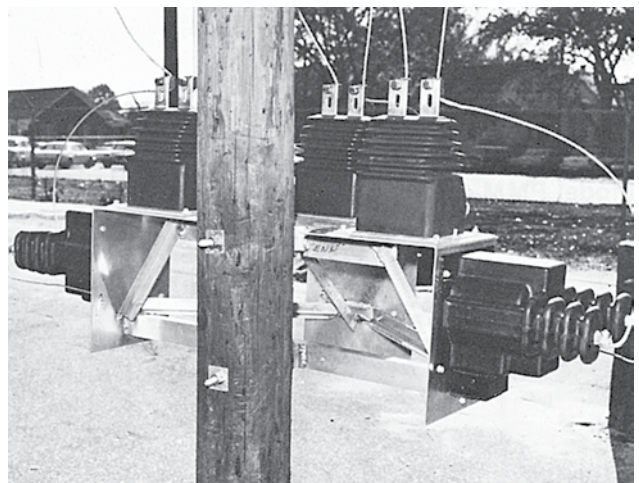
Model PMM-6 (3 Position)
For mounting six pieces of equipment.



Model PMM-6 used with Model 2M1-6 banded Cluster mount rather than thru-bolt mounting.



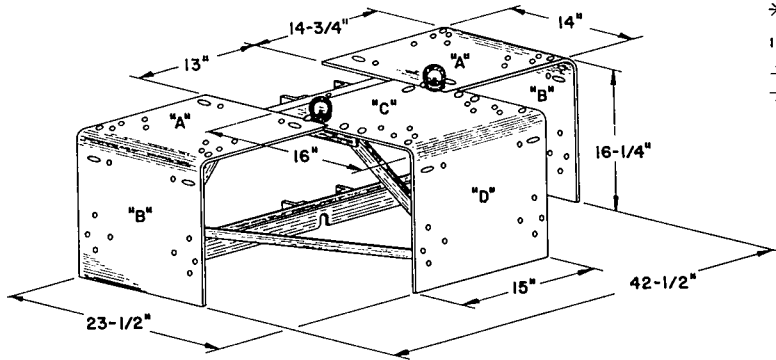
Front view of PMM-6



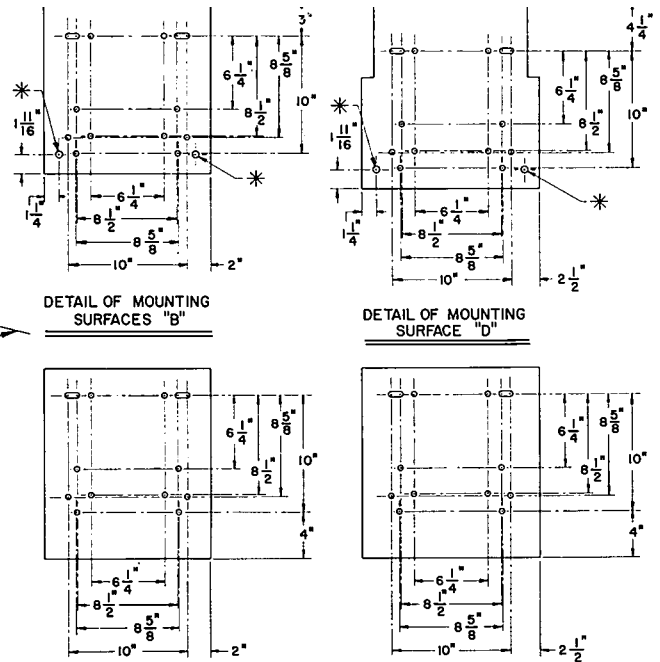
Back view of PMM-6

PRIMARY METERING MOUNTS

Detail of current and potential transformer mounting hole patterns, as supplied on the PMM-4 and PMM-6 Primary Meter Mounts shown below.

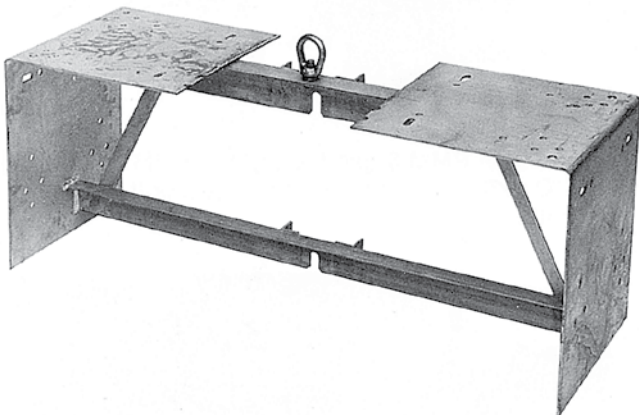


PMM-6 (3 Position)
For mounting six pieces of equipment.



All holes and slots are for 3/8" dia. bolts except those that are indicated by (*), which are optional arrester mounting locations on surfaces "A" & "C" requiring 1/2" dia. bolts.

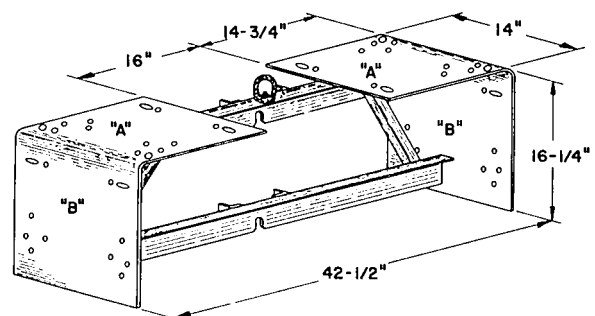
PMM-4 (2 Position)
For mounting four pieces of equipment.



PMM-4 (2 Position)

Aluma-Form Primary Metering Mounts feature light weight construction for mounting current and potential transformers. As shown, units are pre-drilled ready to mount equipment. Convenient lifting eyes are provided for hoisting pre-wired assemblies in the field. Units thru-bolt directly to the pole, or can be supplied with a band for pole banding.

Detail for mounting surfaces same as shown above.





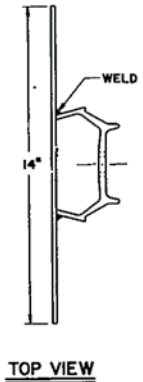
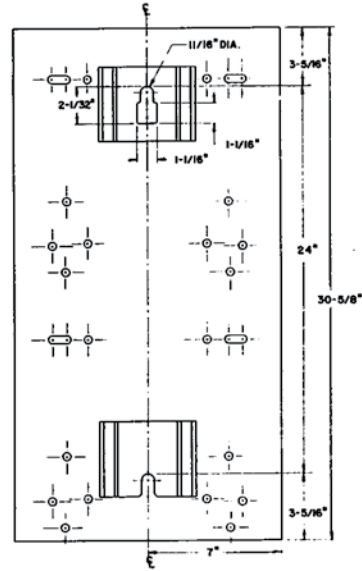
ALUMA-FORM®

PRIMARY METERING MOUNTS

Model TB-PMM-2 (1 Position)
For thru-bolt mounting of two pieces of equipment.

Thru-Bolted Single Phase Meter Mount

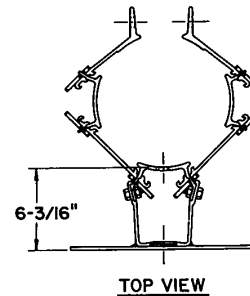
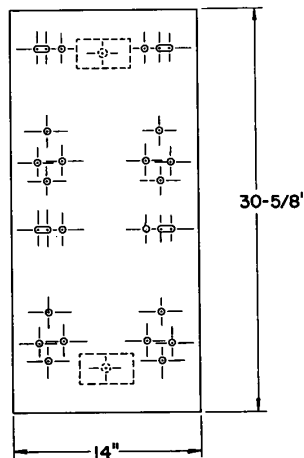
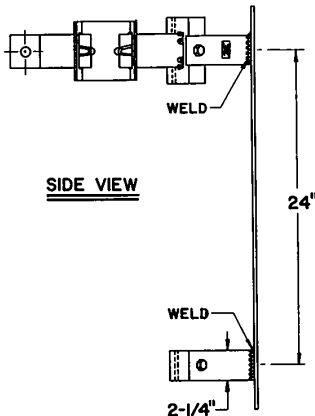
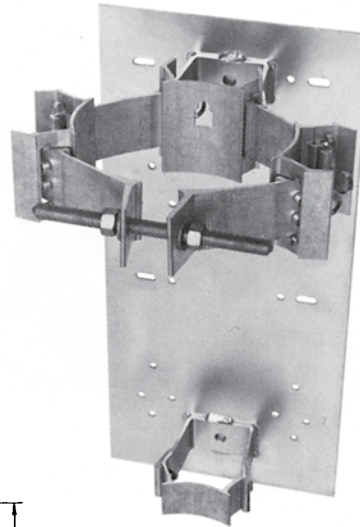
This Single Phase Primary Meter Mount thru-bolts directly to the pole. Pre-drilled, this large 14" x 30-5/8" mounting surface may also be easily field drilled for any required combination of mounting holes. Three units can be used phase-over-phase, or back-to-back. These units are also used to pole mount large metering cabinets and other large enclosures.



Model B-PMM-2-K (1 Position)
Banded unit for two pieces of equipment.

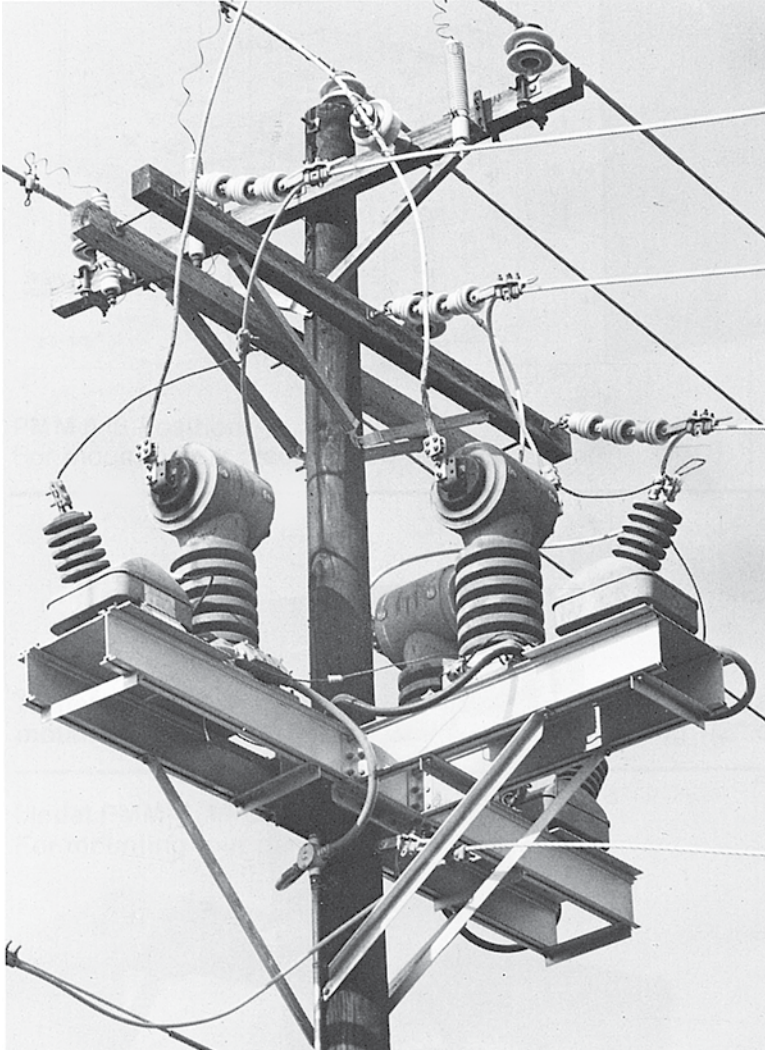
Banded Single Phase Meter Mount

This Single Phase Primary Meter Mount bands to the pole using one pole band welded at the top and one "kicker" welded at the bottom, eliminating thru-bolting. Current and potential transformers mount vertically one above the other. The large, pre-drilled mounting surface may also be easily field drilled for any required combination of mounting holes.

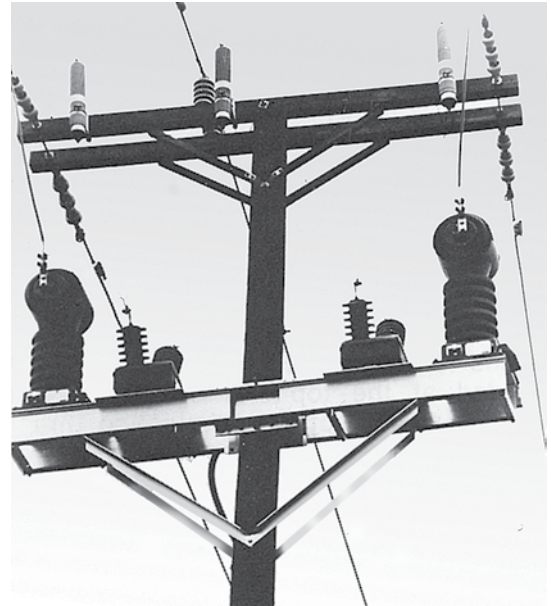


PRIMARY METERING MOUNTS

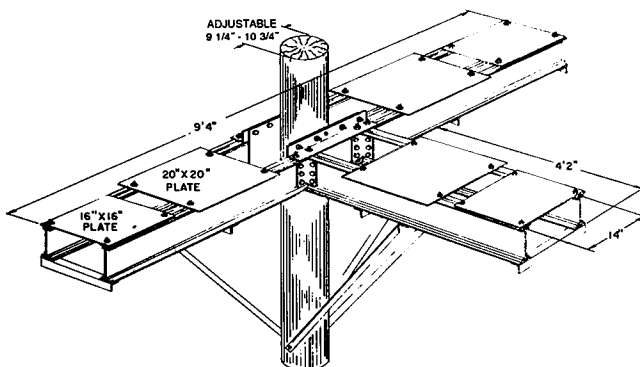
HEAVY DUTY PRIMARY METERING MOUNTS For mounting up to 3 current transformers and/or 3 potential transformers (up to 69kv). Fits pole diameters 9" through 11". All aluminum, light weight but built for heavy duty.



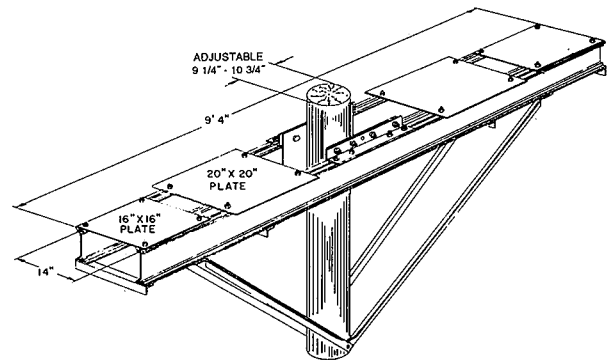
Model HD-PMM-6 (3 Position)
For mounting six pieces of equipment.



Model HD-PMM-4 (2 Position)
For mounting four pieces of equipment.



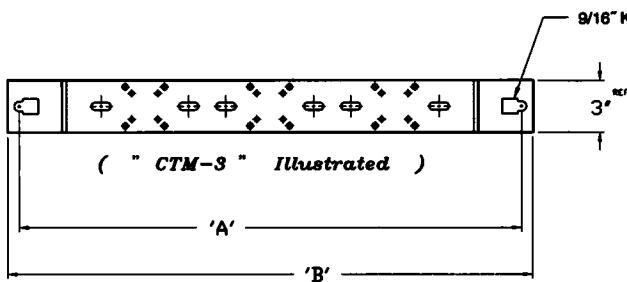
Model HD-PMM-6 (3 Position) #51605
For mounting six pieces of equipment.



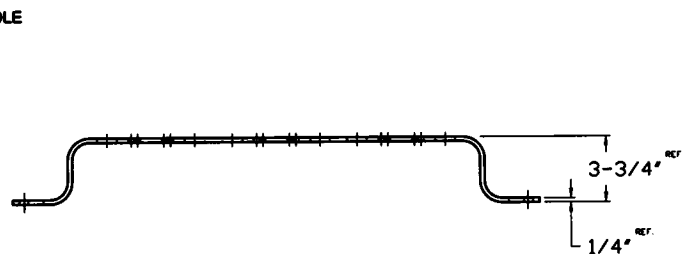
Model HD-PMM-4 (2 Position) #51615
For mounting four pieces of equipment.

SECONDARY CURRENT TRANSFORMER MOUNTING BRACKETS

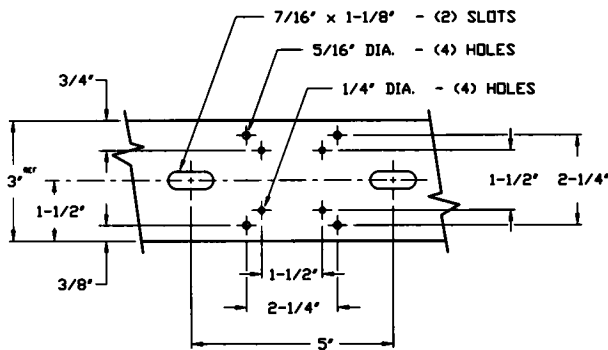
Designed to mount Secondary Current Transformers. Fits “Window” type, standard four hole or two hole base mounted units. Brackets available for mounting 1,2,3 or 4 CT’s to Pole or Wall. Plus, they can be Riser mounted using mast clamps (not supplied).



TOP VIEW



SIDE VIEW



Typical Mounting Detail

Dimensional Data

Catalog #	Dim. "A"	Dim. "B"
CTM-1	14-7/16"	15-3/4"
CTM-2	21-9/16"	22-7/8"
CTM-3	28-11/16"	30"
CTM-4	35-13/16"	37-1/8"

Catalog #	Part #	Description	Unit Weight
CTM-1	01218	Single Position C.T. Mounting Bracket	1.5 lbs.
CTM-2	01219	Two Position C.T. Mounting Bracket	2 lbs.
CTM-3	01215	Three Position C.T. Mounting Bracket	2.5 lbs.
CTM-4	01220	Four Position C.T. Mounting Bracket	3 lbs.



ALUMA-FORM®

3625 Old Getwell Rd. / Memphis, TN 38118 / P.O. Box 18555 / Memphis, TN 38181-0555 / Phone 901-362-0100 / Fax 901-794-9515

www.alumaform.com

©2011 Aluma Form, Inc. 6/11