

SecTER™ cabinet



EATON

Powering Business Worldwide

General

Eaton's Cooper Power™ series versatile single- and three-phase SecTER™ sectionalizing terminals are designed as cable sectionalizing centers, or as permanent or temporary transformer pad covers.

The aesthetic low profile design provides unobtrusive installations for sectionalizing, tapping, or terminating underground cable.

The top-hinged, diagonally-cut, removable cover and cabinet are designed for easy, one man opening. Recessed door and low sill provides improved access to interior terminations. A door stop prevents the door from accidentally closing.

TGIC powder coating exceeds ANSI™ coating requirements.

Standard Munsell Green 7GY3.29/1.5 twelve gauge mild steel designs with standard stainless steel hardware are available. For highly corrosive environments, stainless steel or aluminum are also available. Continuous seam welding ensures a sturdy smooth cabinet.

Multiple configurations are available. A parking lot design is available on most SecTER cabinets that provides multiple locations for parking standoffs, portable feedthrus, and other cable accessories. A welded-on ground nut is also provided for each phase.

Universal mounting plates are painted light grey for optimum visibility and accept 200 amp or 600/900 amp two, three or four position junctions with u-straps or bracketed multi-point junctions with two to six interfaces. Cabinets are also available with Eaton's Cooper Power series Cleer™ 600 A loadbreak connectors. Standard SecTER designs are available in a variety of sizes to suit typical applications and can also be ordered with junctions factory installed.

Optional features

- 200 A loadbreak junctions, installed
- 600 A deadbreak junctions, installed
- 200/600 A multi-point variable junctions, installed
- Cleer 600 A loadbreak connectors, installed
- Available in ANSI® 70 Gray
- Angled mounting plates
- 3/8" copper ground rod, installed
- Mild and stainless steel base extensions
- Fiberglass ground sleeves

Ordering information

1. Select size of SecTER cabinet from Table 1 based on junctions required. Refer to figures referenced in Table 2 (shown on pages 4 through 7) to confirm SecTER cabinet configuration meets requirements.
2. Build SecTER catalog number from Table 3 or variable junction cabinet from Table 4 based on size selected from Table 1 and options required.
3. Fiberglass ground sleeves are ordered separately. If ground sleeve is required, select catalog number from Table 5 on page 8.
4. Mild steel base extensions are ordered separately. If base extension is required, select catalog number from Table 6 on page 9.

"*" = Standard. Recommended for best balance of size (footprint) and operability (frontplate space and standoff pockets) for typical applications.

"O" = Optional. Also available if the application requires compromise in size and/or operability.

Table 1. SecTER cabinet size matrix

			Single Phase		Three Phase				
Cabinet Size digits 5&6			24	30	48	6A	66	84	98
Junctions									
Loadbreak	15 kV	2-Way	0	*	*	0	0	0	0
		3-Way	0	*	0	*	0	0	0
		4-Way	0	*			0	*	0
	25 kV	2-Way	0	*	0	*	0	0	0
		3-Way	0	*	0	*	0	0	0
		4-Way	0	*			0	*	0
	35 kV	2-Way		*			0	*	0
		3-Way		*			0	*	0
		4-Way		*				0	*
Dead Break	15/25 kV	2-Way	0	*	0	*	0	0	0
		3-Way	0	*	0	0	0	*	0
		4-Way	0	*			0	*	0
	35 kV	2-Way		*			0	*	0
		3-Way		*			0	*	0
		4-Way		*					*
CLEER	15 kV		*			*	0	0	
	25/28 kV		*			*	0	0	
Variable Junction	15/25 kV	2-Way	0	*	0	*	0	0	
		3-Way	0	*	0	0	*	0	
		4-Way	0	*			0	*	0
		5-Way	0	*			0	0	*
		6-Way		*				0	*

Note: Width and depth dimensions of ground sleeves or base extensions must be matched to SecTER cabinet selected.

Table 2. Standoff pocket placement

Cabinet Size digits 5&6	Standoff Pocket Placement		
	Below mtg plates	In-Line with mtg plates	Figure
24	Yes	No	1
30	Yes	Yes	2
48	Yes	No	4
6A	Yes	Yes	5
66	Yes	No	6
84	Yes	Yes	7
98	Yes	Yes	9
Variable junction cabinet			
Cabinet Size digits 5&6	Standoff Pocket Placement		
	Below mtg plates	In-Line with mtg plates	Figure
24	Yes	No	1
30	Yes	No	3
48	Yes	No	4
6A	N/A	N/A	N/A
66	Yes	No	6
84	Yes	No	8
98	Yes	No	10

Table 3. SecTER cabinet catalog configurator

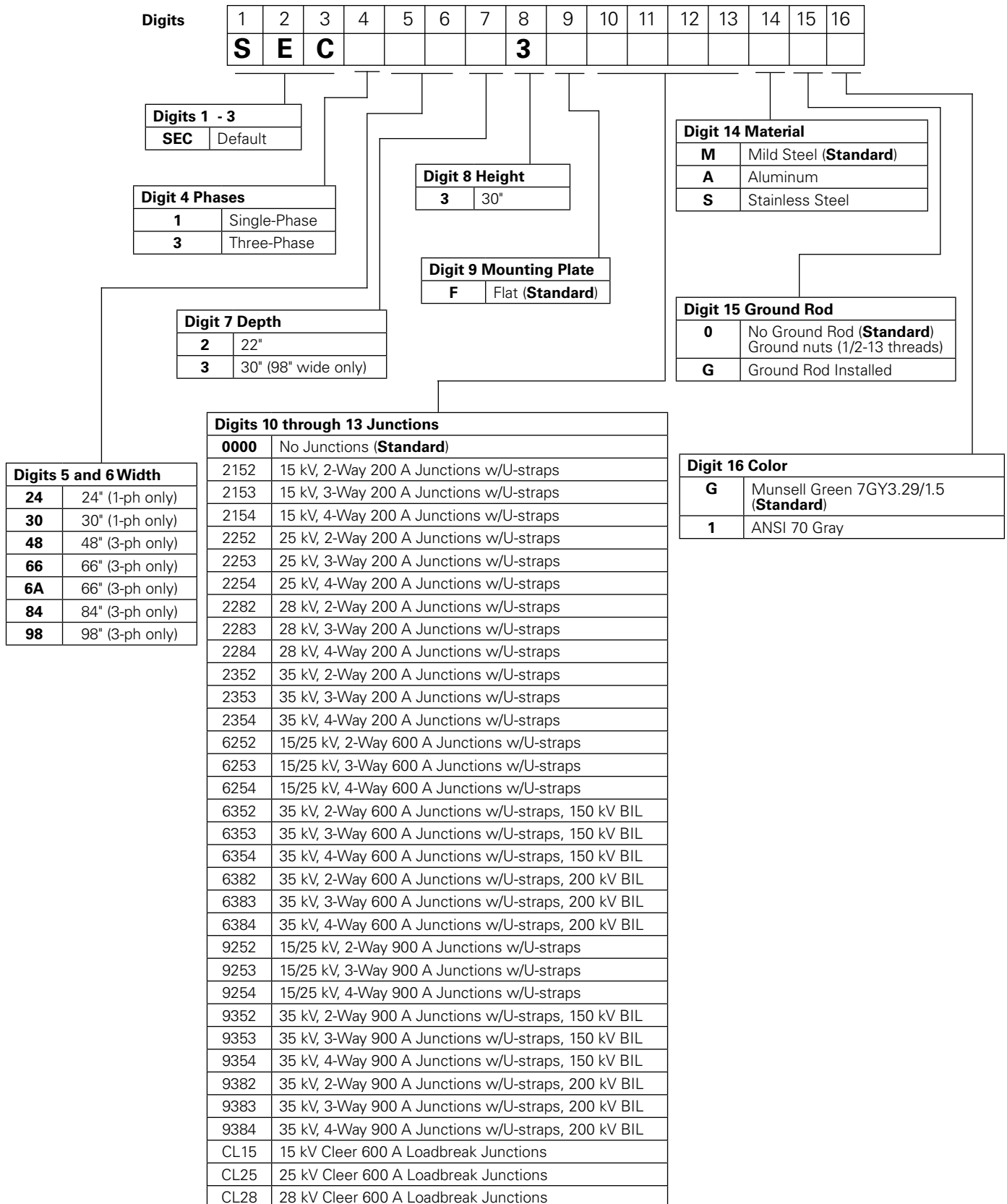


Table 4. Variable junction cabinet configurator

Digits	1	2	3	4	5	6	7	8	9	10	11	12	13	14	15	16
	S	V	1	3	9	8	3	6	6	6	6	2	2	M	0	G

Digits 1 - 3	
SV1	15kV Variable Junction Cabinet
SV2	25kV Variable Junction Cabinet

Digits 4 Phases	
1	Single-Phase
3	Three-Phase

Digits 5 and 6 Width	
24	24" (1-ph only)
30	30" (1-ph only)
48	48" (3-ph only)
66	66" (3-ph only)
84	84" (3-ph only)
98	98" (3-ph only)

Digit 7 Depth	
2	22"
3	30" (98" wide only)

Digits 8 - 13 Interfaces	
2	200 A Loadbreak
6	600 A Deadbreak
S	Blank Space
X	No Interface
6 characters - reading left to right for interfaces	
"X" used to fill remaining characters for less than 6 way junction	
Ex: 5 way 200 A loadbreak = 22222X	
Empty cabinet/no junctions = 000000	

Digit 14 Material	
M	Mild Steel (Standard)
A	Aluminum
S	Stainless Steel

Digit 16 Color	
G	Munsell Green 7GY3.29/1.5 (Standard)
1	ANSI 70 Gray

Digit 15 Ground Rod	
0	No Ground Rod (Standard)
	Ground nut (1/2-13 threads)
G	Ground Rod Installed

***Standard height is 30" and mounting plate is flat.

Note: Dimensions are for reference only.

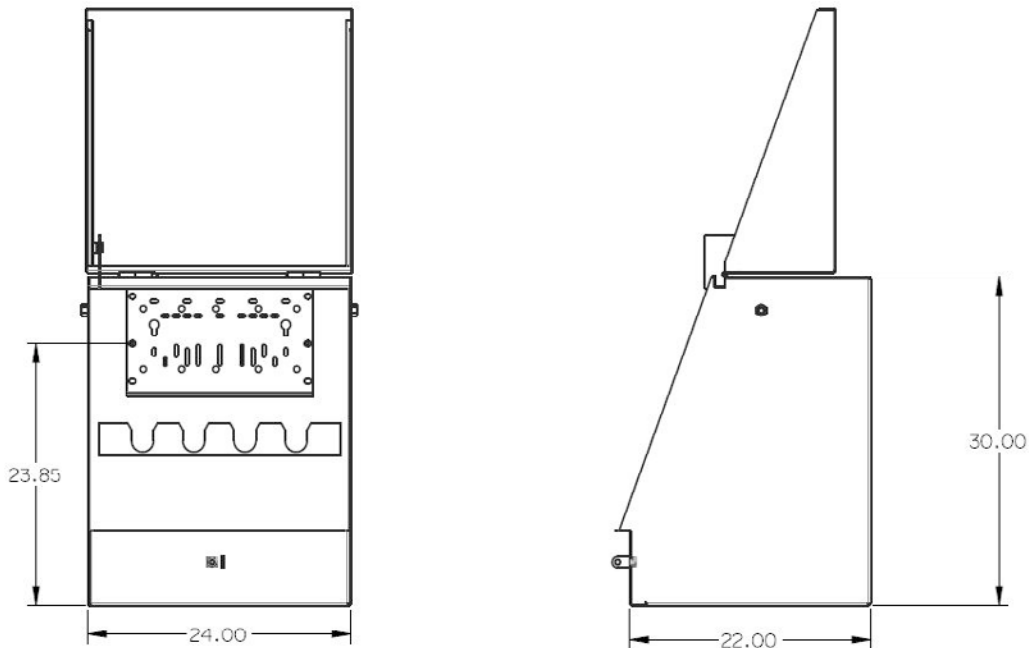


Figure 1. 24 inch SectER and Variable Junction cabinet shown.

Note: Dimensions are for reference only.

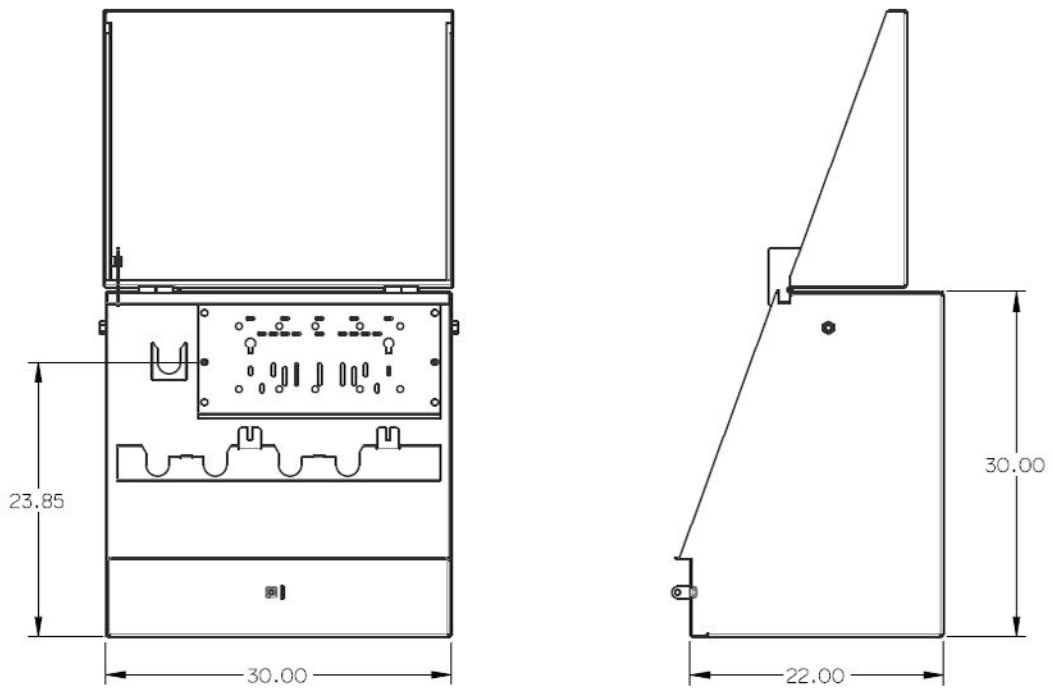


Figure 2. 30 inch SecTER cabinet shown.

Note: Dimensions are for reference only.

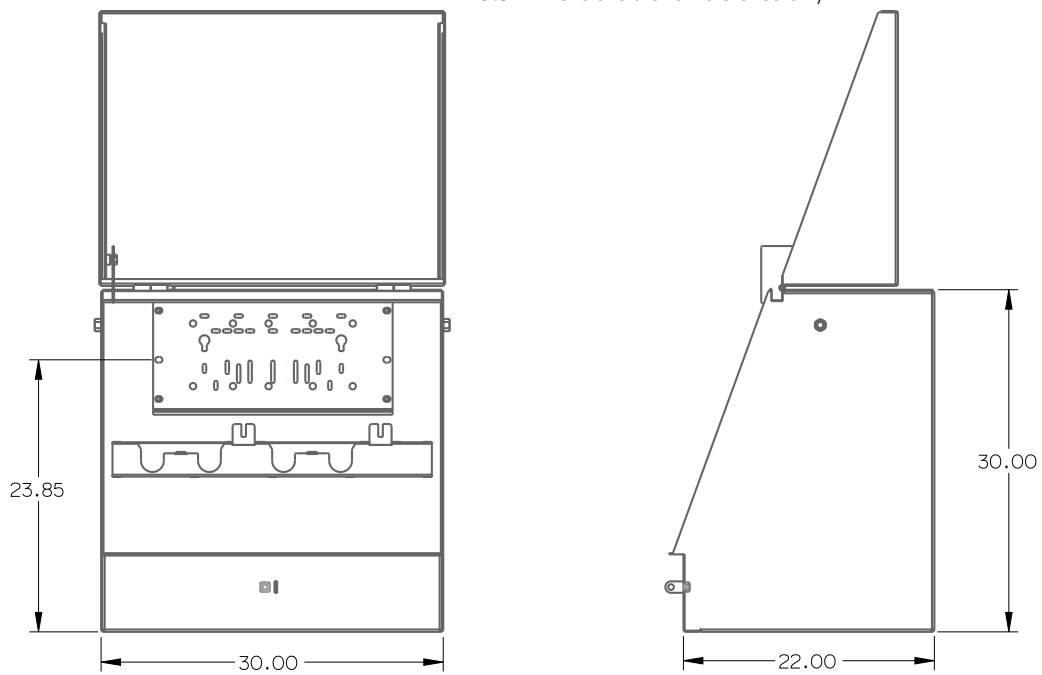


Figure 3. 30 inch Variable Junction cabinet shown.

Note: Dimensions are for reference only.

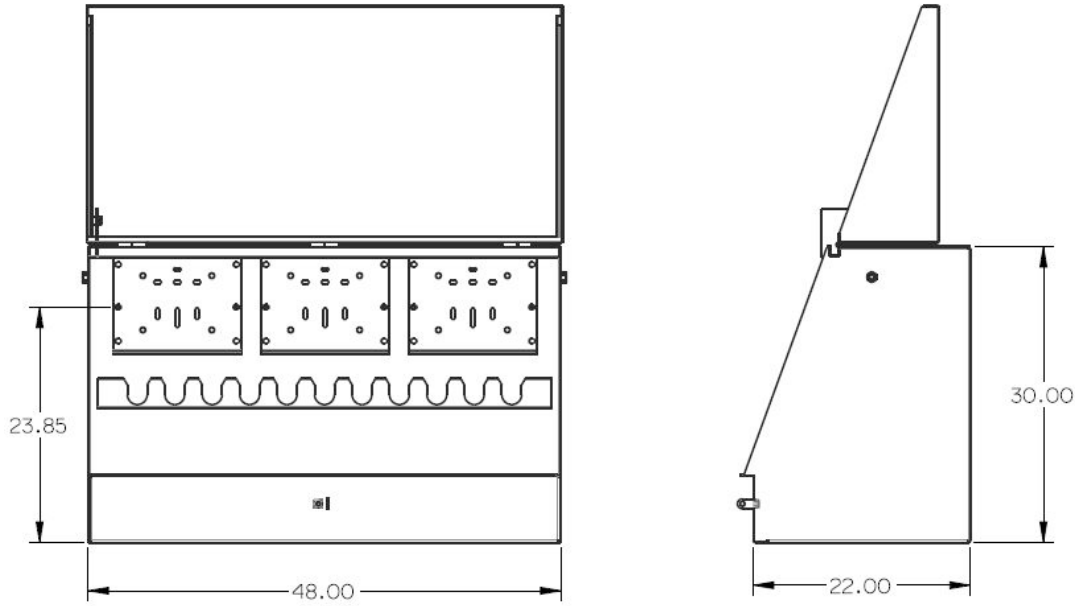


Figure 4. 48 inch SecTER and Variable Junction cabinet shown.

Note: Dimensions are for reference only.

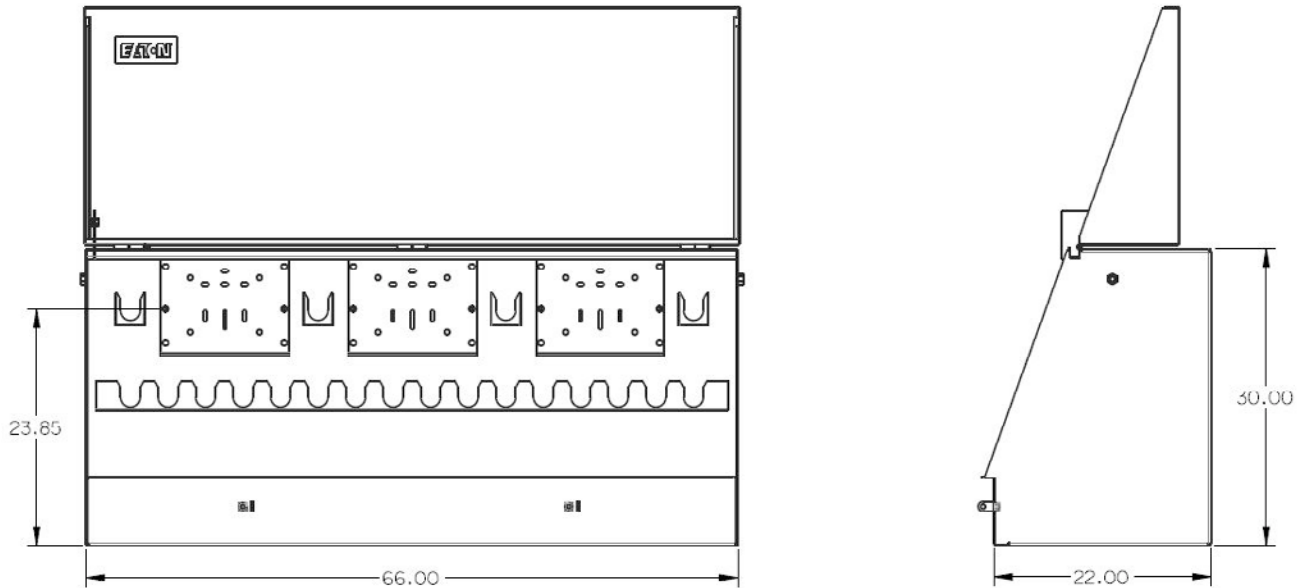


Figure 5. 66 inch "A" SecTER cabinet shown.

Note: Dimensions are for reference only.

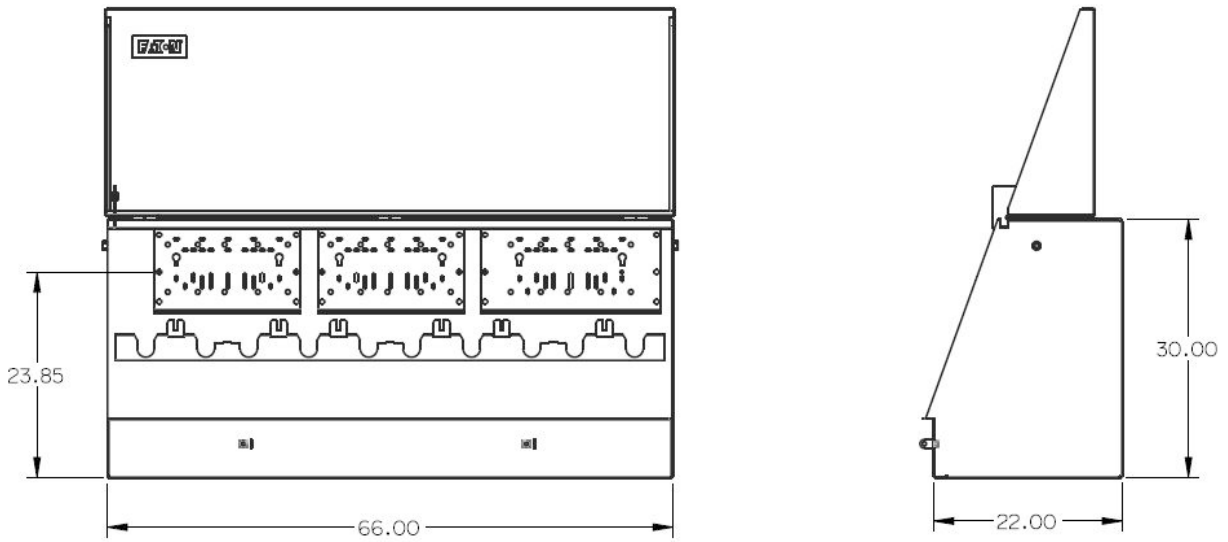


Figure 6. 66 inch SecTER and Variable Junction cabinet shown.

Note: Dimensions are for reference only.

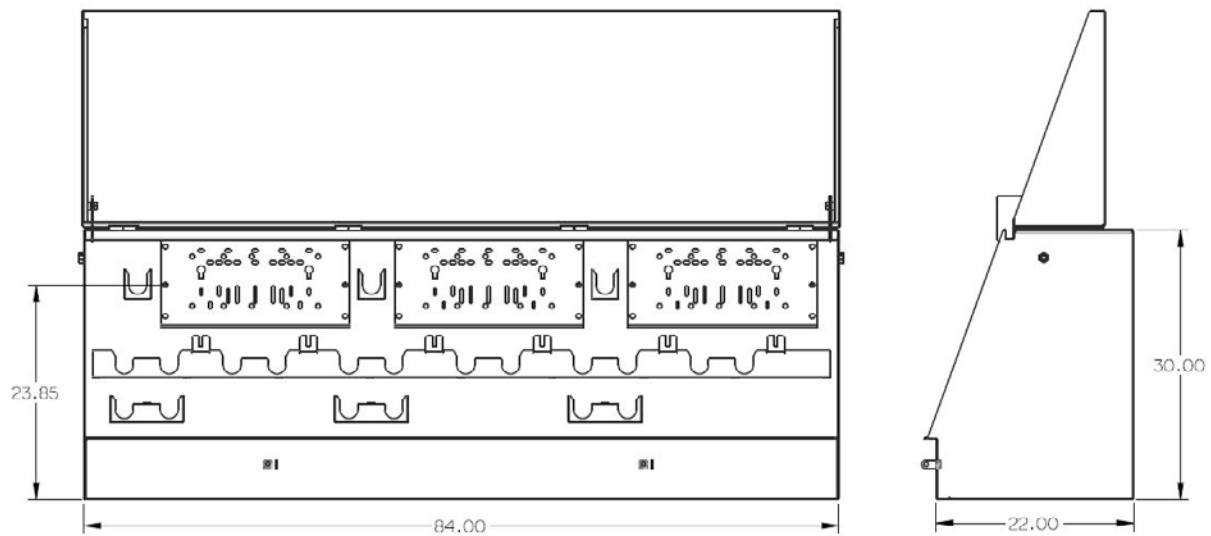


Figure 7. 84 inch SecTER cabinet shown.

Note: Dimensions are for reference only.

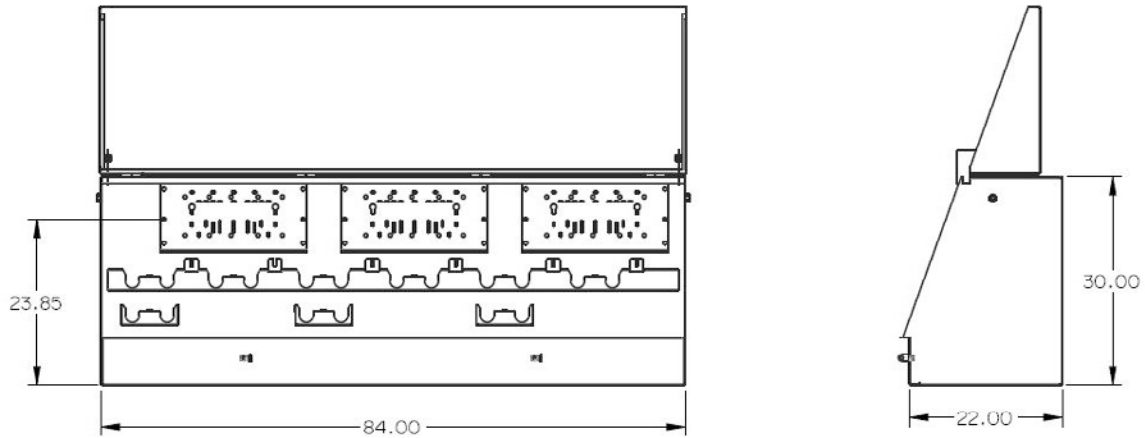


Figure 8. 84 inch Variable Junction cabinet shown.

Note: Dimensions are for reference only.

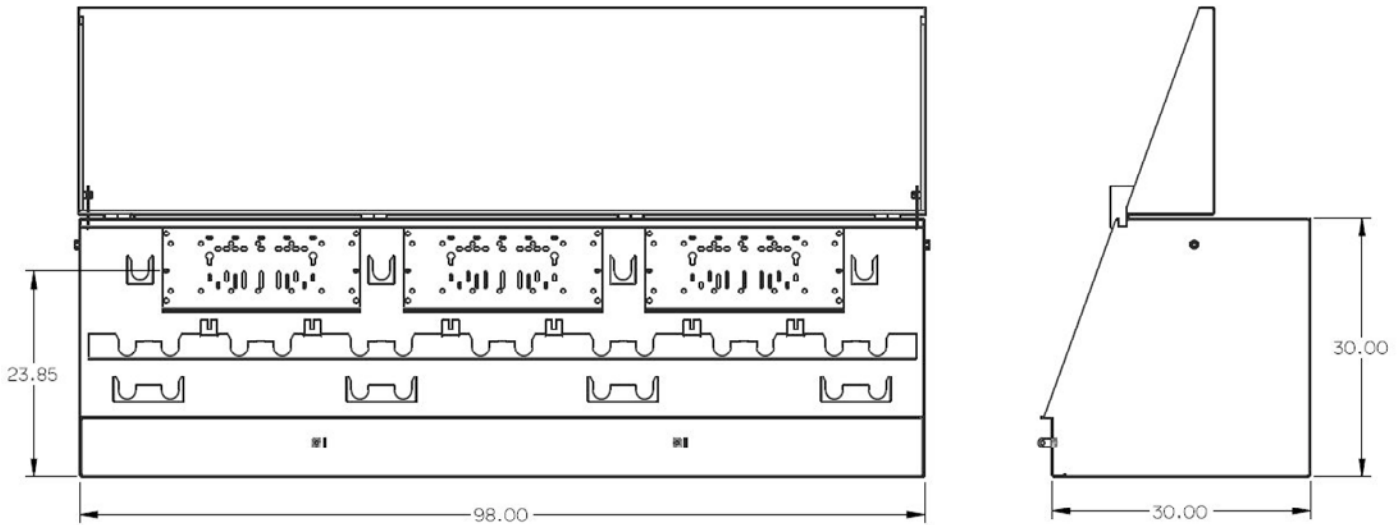


Figure 9. 98 inch SecTER cabinet shown.

Note: Dimensions are for reference only.

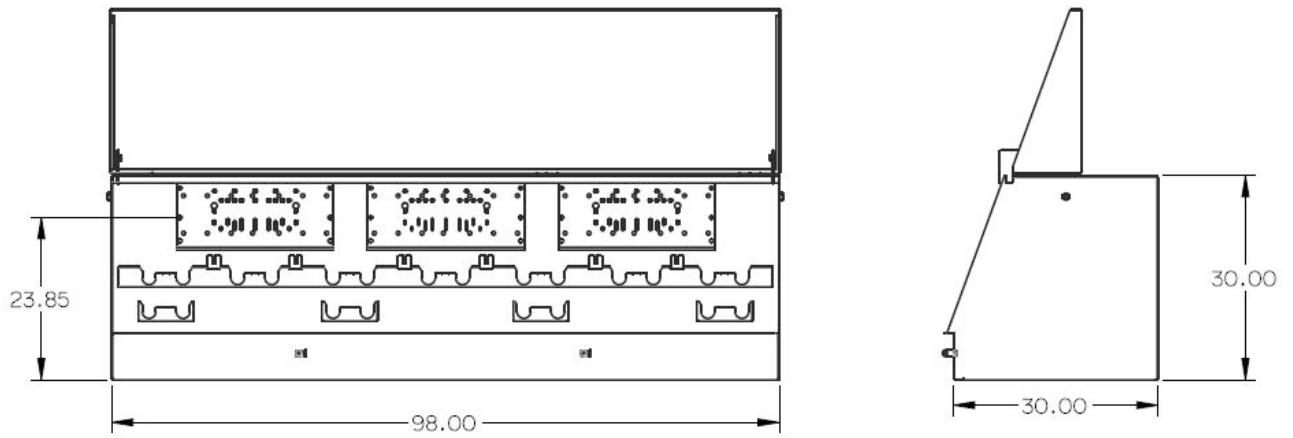


Figure 10. 98 inch Variable Junction cabinet shown.

Fiberglass ground sleeves

Lightweight, corrosive-free, ground sleeves provide ground level mounting base and underground cable compartment, allowing unrestricted movement of terminations.

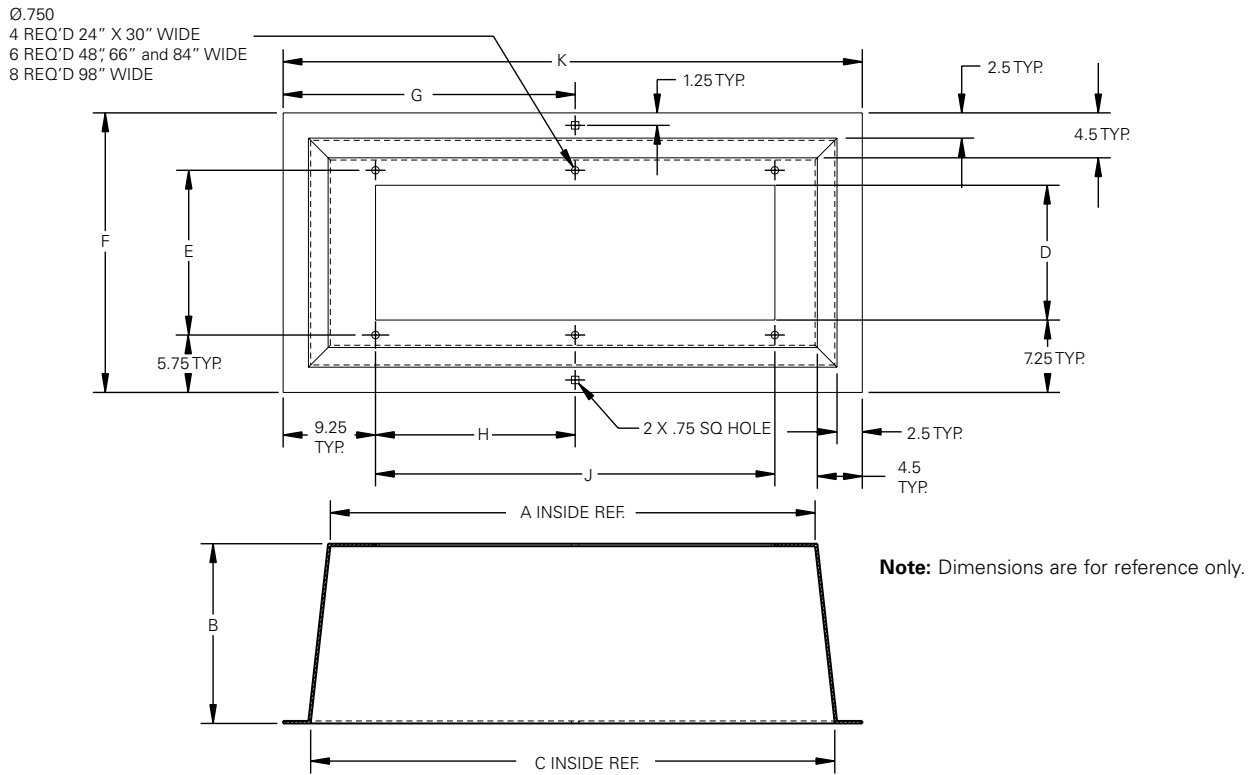


Figure 11. Ground sleeve dimensions.

Table 3. Fiberglass Ground Sleeve Dimensional Information in Inches (Reference Figure 1)

18" High											
Catalog Number	Description	A	B	C	D	E	F	G	H	J	K
GS182422	18H X 24W X 22D	25.0	18.0	29.0	17.5	20.5	32.0	17.25	-	16.0	34.5
GS183022	18H X 30W X 22D	31.0	18.0	35.0	17.5	20.5	32.0	20.25	-	22.0	40.5
GS184822	18H X 48W X 22D	49.0	18.0	53.0	17.5	20.5	32.0	29.25	20.0	40.0	58.5
GS186622	18H X 66W X 22D	67.0	18.0	71.0	17.5	20.5	32.0	38.25	29.0	58.0	76.5
GS188422	18H X 84W X 22D	85.0	18.0	89.0	17.5	20.5	32.0	47.25	38.0	76.0	94.5
GS189830	18H X 98W X 30D	98.0	18.0	104.0	21.0	28.5	44.0	-	30.0	90.0	111.0
30" High											
Catalog Number	Description	A	B	C	D	E	F	G	H	J	K
GS302422	30H X 24W X 22D	25.0	30.0	29.0	17.5	20.5	32.0	17.25	-	16.0	34.5
GS303022	30H X 30W X 22D	31.0	30.0	35.0	17.5	20.5	32.0	20.25	-	22.0	40.5
GS304822	30H X 48W X 22D	49.0	30.0	53.0	17.5	20.5	32.0	29.25	20.0	40.0	58.5
GS306622	30H X 66W X 22D	67.0	30.0	71.0	17.5	20.5	32.0	38.25	29.0	58.0	76.5
GS308422	30H X 84W X 22D	85.0	30.0	89.0	17.5	20.5	32.0	47.25	38.0	76.0	94.5
GS309830	30H X 98W X 30D	99.0	30.0	106.5	21.0	28.5	46.0	-	30.0	90.0	113.5

Note: Width and depth dimensions must be matched to corresponding SecTER cabinet dimension.

Steel base extensions

Mild steel base extensions provide pad-mounted, above ground, cable compartment and can also be used with ground sleeves in applications where raising the SecTER cabinet to a greater height is required.

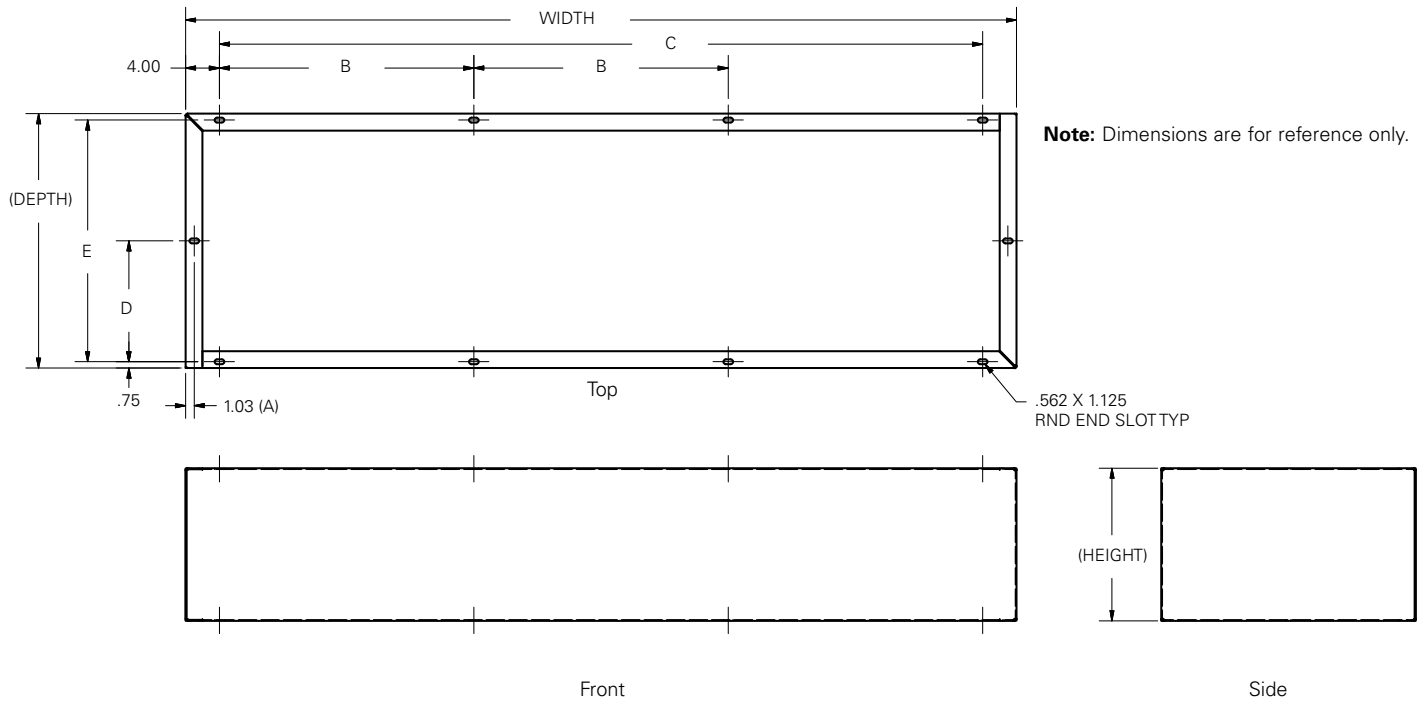


Figure 12. Base extension dimensions.

Table 4. Steel Base Extension Dimensional Information (Reference Figure 2)

18" High

Catalog Number	Height	Width	Depth	A	B	C	D	E
SBE182422	18.0	24.0	22.0	-	-	16.00	-	20.50
SBE183022	18.0	30.0	22.0	-	-	22.00	-	20.50
SBE184822	18.0	48.0	22.0	-	20.00 (1X)	40.00	-	20.50
SBE186622	18.0	66.0	22.0	-	29.00 (1X)	58.00	-	20.50
SBE188422	18.0	84.0	22.0	-	38.00 (1X)	76.00	-	20.50
SBE189830	18.0	98.0	30.0	1.03	30.00 (2X)	90.00	14.25	28.50

24" High

Catalog Number	Height	Width	Depth	A	B	C	D	E
SBE242422	24.0	24.0	22.0	-	-	16.00	-	20.50
SBE243022	24.0	30.0	22.0	-	-	22.00	-	20.50
SBE244822	24.0	48.0	22.0	-	20.00 (1X)	40.00	-	20.50
SBE246622	24.0	66.0	22.0	-	29.00 (1X)	58.00	-	20.50
SBE248422	24.0	84.0	22.0	-	38.00 (1X)	76.00	-	20.50
SBE249830	24.0	98.0	30.0	1.03	30.00 (2X)	90.00	14.25	28.50

Notes: Width and depth dimensions must be matched to corresponding SecTER cabinet dimension.

Stainless steel base extensions can be specified by adding "SS" to the end of the base extension part number. Example: SBE242422SS

Applicable standards

IEEE Std C57.12.28™-2014 standard "IEEE Standard for Pad-Mounted Equipment-Enclosure Integrity"

IEEE Std C57.12.34™-2009 standard "IEEE Standard Requirements for Pad-Mounted, Compartmental-Type, Self-Cooled, Three-Phase Distribution Transformers-Parking Standoff Pockets only"

IEEE Std C57.12.38™-2014 standard "IEEE Standard Requirements for Pad-Mounted, Compartmental-Type, Self-Cooled, Single-Phase Distribution Transformers-Parking Standoff Pockets only"

IEEE Std 386™-2006 standard "IEEE Standard for Separable Insulated Connector Systems for Power Distribution Systems Above 600 V"

Additional information

Refer to the following literature for more information.

CA901002EN	600 A 15, 25, and 28 kV Class Cleer SecTER Cabinet Catalog
CA650104EN	200 A and 600A, 15 and 25 kV Class Variable Junctions
MN901002EN	SecTER Cabinet Installation Instructions
PA901001EN	Easy and Flexible Installation Using New Universal SecTER Cabinet Product Aid
CT901001EN	SecTER Sectionalizing Terminal Enclosure Certified Test Report

Eaton
1000 Eaton Boulevard
Cleveland, OH 44122
United States
Eaton.com

Eaton's Power Systems Division
2300 Badger Drive
Waukesha, WI 53188
United States
Eaton.com/cooperpowerseries

© 2022 Eaton
All Rights Reserved
Printed in USA
Publication No. CA901001EN / ZD26935
October 2022

Eaton is a registered trademark.

All other trademarks are property of their respective owners.

For Eaton's Cooper Power series product information, call 1-877-277-4636 or visit: www.eaton.com/cooperpowerseries.