

# 200 A 15 kV class insulated standoff bushing



## General

Eaton's Cooper Power™ series 200 A, 15 kV insulated standoff bushing meets the full requirements of IEEE Std 386™-2006 standard - Separable Insulated Connector Systems, and provides a single loadbreak interface made of high quality peroxide cured EPDM rubber. It is used to isolate and sectionalize energized cable in pad-mounted cabinets, underground vaults, and other apparatus. Temporary or permanent parking of energized 200 A, 8.3/14.4 kV loadbreak elbow connectors that conform to IEEE Std 386™-2006 standard is simplified with use of the insulated standoff bushing.

The insulated standoff bushing is designed to be installed in the parking stand mounted on a transformer or other apparatus. A grounding lug is provided on the standoff bushing bracket for attachment of a drain wire to ensure deadfront construction. When mated with a comparably rated product, the insulated standoff bushing provides a fully-shielded, submersible, separable connector for energized operation.

The standard insulated standoff bushing has a stainless steel eyebolt with a brass pressure foot. The molded EPDM rubber body is bolted to a stainless steel base bracket using a galvanized steel holddown ring. A completely stainless steel bracket assembly is available for extremely corrosive environments.

Eaton's exclusive latch indicator ring, located on the circumference of the bushing's collar, eliminates the guesswork of loadbreak elbow installation on the standoff bushing. The bright yellow ring provides immediate feedback to determine if the elbow is properly installed on the bushing. If the yellow ring is completely covered by the loadbreak elbow, it is fully "latched," if the ring is visible, the elbow can be installed correctly before any problems can occur.

## INSTALLATION

No special tools are required. A clampstick tool is used to place the standoff bushing in the parking stand on the front plate of the apparatus. Refer to *Service Information S500-22-1, 200 A 15, 25, and 35 kV Class Insulated Standoff Bushing Installation Instructions* for details.

**EATON**

Powering Business Worldwide

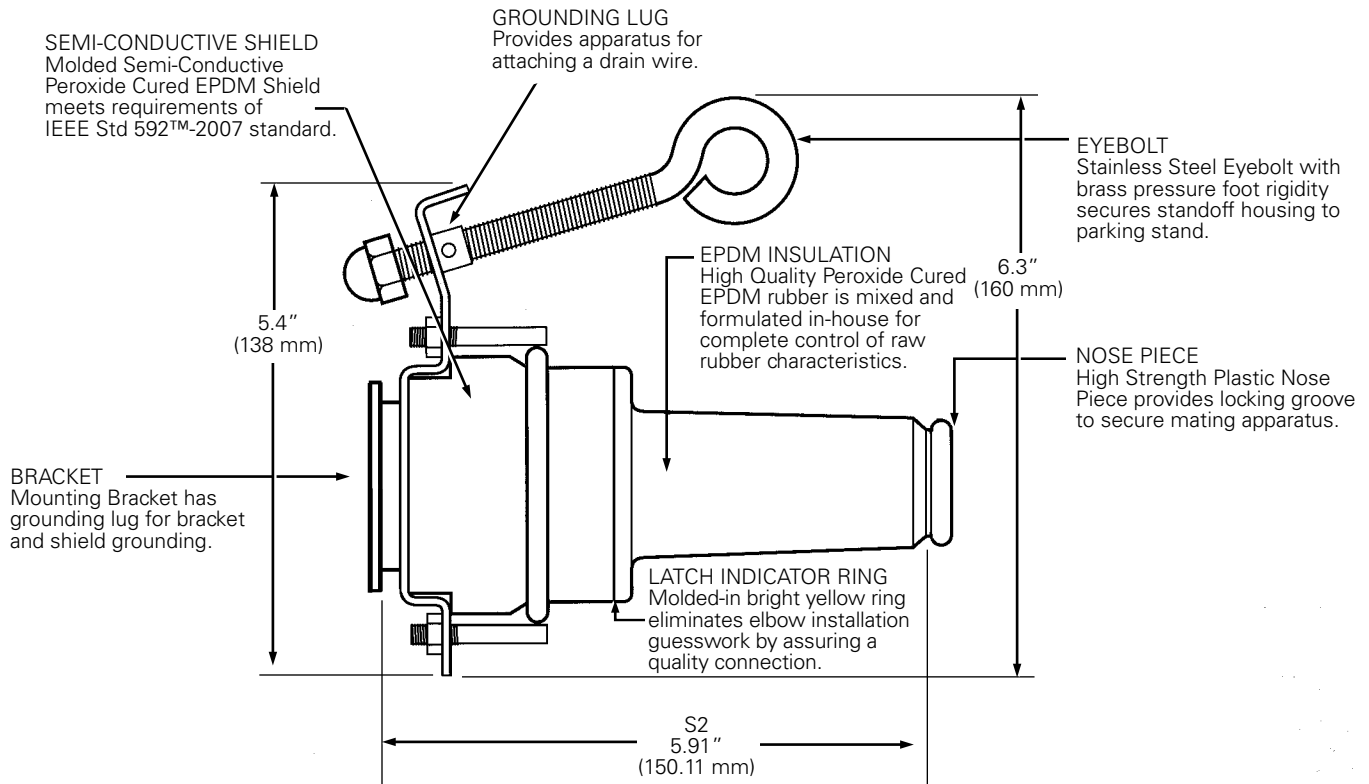


Figure 1. Insulated Standoff Bushing profile and stacking dimensions.

Note: Dimensions given are for references only

**Production tests**

Tests conducted in accordance with IEEE Std 386™-2006 standard.

- AC 60 Hz 1 Minute Withstand
  - 34 kV
- Minimum Corona Voltage Level
  - 11 kV

Tests conducted in accordance with Eaton requirements.

- Physical Inspection
- Periodic Dissection
- Periodic X-Ray Analysis

**Table 1. Voltage Ratings and Characteristics**

Description	kV
Standard Voltage Class	15
Maximum Rating Phase-to-Ground	8.3
AC 60 Hz 1 Minute Withstand	34
DC 15 Minute Withstand	53
BIL and Full Wave Crest	95
Minimum Corona Voltage Level	11

Voltage ratings and characteristics are in accordance with IEEE Std 386™-2006 standard.

**Ordering information**

To order the 15 kV Insulated Standoff Bushing Kit, refer to Table 2.

**Table 2. Standoff Bushing Kits Description**

Description	Catalog Number
Standoff Bushing with Standard Bracket	ISB215
Standoff Bushing with Stainless Steel Bracket	ISB215S

Each kit contains:

- Insulated Standoff Bushing with Bracket
- Shipping Cap (not for energized operation)
- Installation Instruction Sheet

**Eaton**  
 1000 Eaton Boulevard  
 Cleveland, OH 44122  
 United States  
 Eaton.com

**Eaton's Cooper Power Systems Division**  
 2300 Badger Drive  
 Waukesha, WI 53188  
 United States  
 Eaton.com/cooperpowerseries

© 2015 Eaton  
 All Rights Reserved  
 Printed in USA  
 Publication No. CA650089EN

Eaton is a registered trademark.  
 All other trademarks are property  
 of their respective owners.

For Eaton's Cooper Power series product  
 information call 1-877-277-4636 or visit:  
 www.eaton.com/cooperpowerseries.