

Transformer Protection

Amp-Trap® CL-14 Series

MEDIUM VOLTAGE FUSES

5.5kV, 8.25kV, AND 15.5kV
CLIP-LOCK MOUNTED FUSES



Mersen Amp-Trap fuses for the protection of transformers and distribution lines deliver overload and short circuit protection. These general purpose current-limiting fuses will melt at current that can be as low as 1.7 times the fuse current ratings up to its maximum interrupting rating. These fuses are designed to withstand the transformer magnetizing inrush current. They are single, double or triple barrels 3 inch diameter (size D) and mount in unique cam-locking clips for superior connections as well as easy installation and replacement.

FEATURES/BENEFITS:

- UL listed for compatibility with UL listed equipment.
- Clip-lock mounting for reliable high integrity connection into circuit.
- Current-limiting for superior equipment protection.
- Non-venting for silent operation.
- Metal embossed catalog number and manufacturing date for lasting identification.
- Blown-fuse indicator to give positive identification of open fuse.
 - 1 lb tripped force - 0.44 inch

HIGHLIGHTS:

- E-Rated
- UL listed

APPLICATIONS:

- Protection for 5.5kV to 15.5kV transformers or distribution systems.

Ratings:

Amp-Trap CL-14 Series

(Indoor or outdoors in a weatherproof enclosure)

A055C

- **Volts:** 5.5kV AC
- **Amps:** 10 to 600E
- **IR:** 63kA Sym

A083C:

- **Volts:** 8.25kV AC
- **Amps:** 60 to 200E
- **IR:** 70kA Sym

A155C

- **Volts:** 15.5kV AC
- **Amps:** 10 to 300E
- **IR:** 50kA Sym

APPROVALS:

- Some UL Listed to standard File E143362



See Fuse Blocks and Holders section for CL-14 Clip-Lock Clips

5.5kV CLIP-LOCK MOUNTED FUSES:

5.5kV E-Rated Amp-Trap CL-14 Series

15.25" (388mm) Clip Centers (dimension E). Suitable for use indoors or in an enclosure only.



Catalog No.	Amp Rating	No. of Barrels	Indicating	Max Voltage	Max IR RMS Sym	Figure	Dimensions Inches (mm)			
							A	B	C	E
A055C1D0R0-10E	10E	1	Yes	5.5kV	63kA	A	16.81 (427)	16.12 (410)	0.44 (11.1) Tripped Force 1 lbs.	15.25 (388)
A055C1D0R0-15E	15E									
A055C1D0R0-20E	20E									
A055C1D0R0-25E	25E									
A055C1D0R0-30E	30E									
A055C1D0R0-40E	40E									
A055C1D0R0-50E	50E									
A055C1D0R0-65E	65E									
A055C1D0R0-80E	80E									
A055C1D0R0-100E	100E									
A055C1D0R0-125E	125E									
A055C1D0R0-150E	150E									

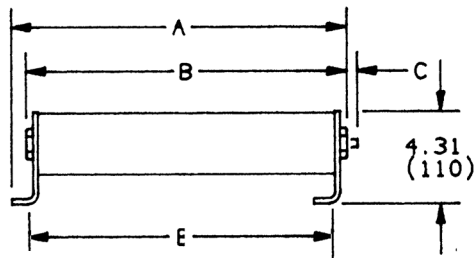


Figure A

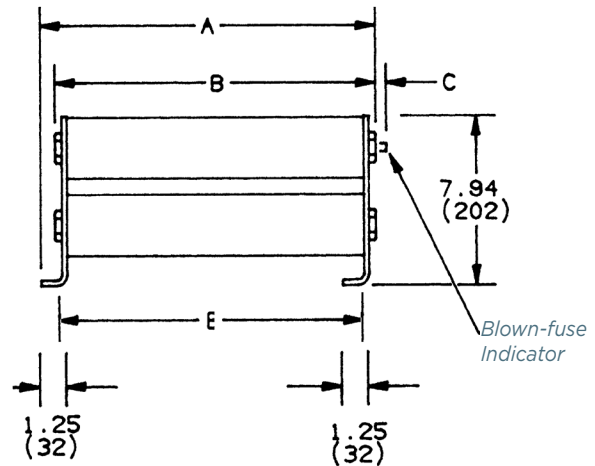


Figure B

5.5kV E-Rated Amp-Trap CL-14 Series

21.25" (540mm) Clip Centers (dimension E). Suitable for use indoors or in an enclosure only.



Catalog No.	Amp Rating	No. of Barrels	Indicating	Max Voltage	Max IR RMS Sym	Figure	Dimensions Inches (mm)			
							A	B	C	E
A055C1D0R0-200E	200E	1	Yes	5.5kV	63kA	A	22.81 (580)	22.12 (562)	0.44 (11.1) Tripped Force 1 lbs.	21.25 (540)
A055C1D0R0-250E	250E									
A055C1D0R0-300E	300E									
A055C1D0R0-400E	400E									
A055C2D0R0-450E	450E	2	Yes	5.5kV	63kA	B	22.81 (580)	22.12 (562)	0.44 (11.1) Tripped Force 1 lbs.	21.25 (540)
A055C2D0R0-500E	500E									
A055C2D0R0-600E	600E									