

MSUB - MULTIPLE COMPONENTS IN A SINGLE UNIT

AMP Mini Power Center

Pre-assembled Panelboard & Transformers

SPECS OF THE AMP MSUB:

Our integrated panelboard distribution and transformer solution has a lot of customizable features in a single section, making it easier on the installation.

- Front accessible, Nema 1/3R construction, UL listed and labeled per UL891 Switchboard
- Back to back design, panelboards mounted both front, sides, and rear available.
- Panelboards up to 800 Amps
- Transformer 30KVA to 225KVA.
- Powder coat paint finish ASA 61 gray standard. Other color options available.
- Busway connections available.

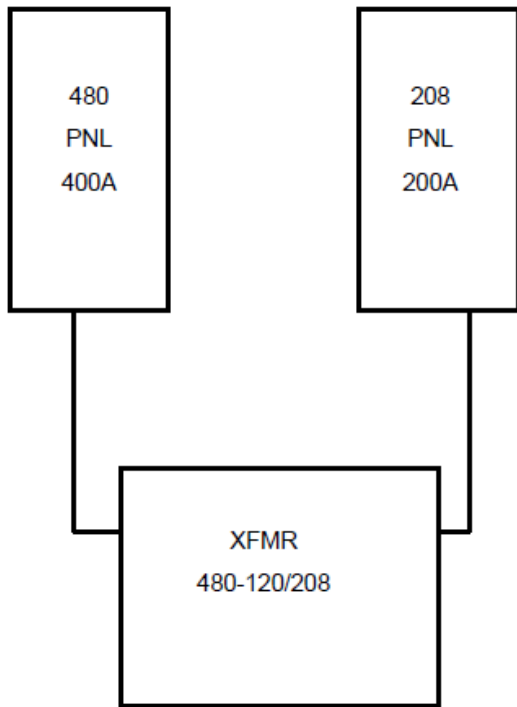


Contact factory for pricing, options & designs

www.ampmfg.com ■ Solutions for Power

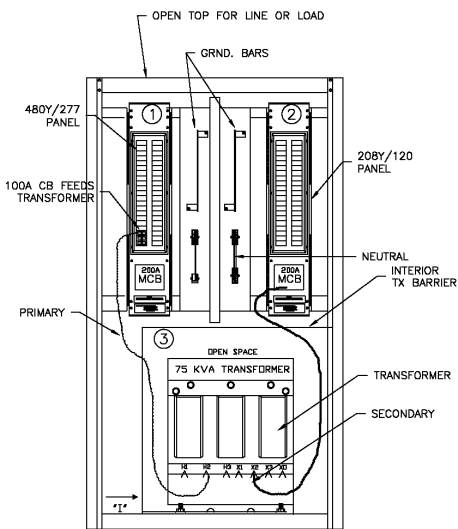


FEATURES OF THE AMP MSUB

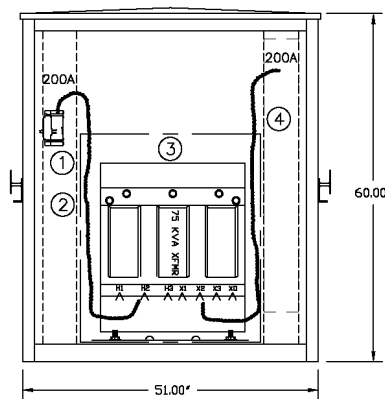


Traditional Layout

- Small footprint (Without wall mounting transformer)
- Single section for easy installation
- Mix voltages, no need for separate wireways
- **Labor Saving** – No piping and wiring between components
- All **prewired** by AMP at factory
- Standard hinged door in door panel covers
- Coordinated delivery & staging of components for less jobsite hassles
- Reduced handling time
- Eliminates storage fees of components until material needed
- **Less jobsite cleanup** (boxes, cut conduit, cable ends)
- **Reduced tool expenses** (Conduit benders, cable pullers)
- LEED Contributory



FRONT VIEW SECTION



TYPICAL APPLICATIONS:

- Any electrical room with a transformer and at least two panels.
- The larger the transformer the better
- The higher the quantity of panels the better
- Areas with limited space



American Midwest Power

3131 Vicksburg Lane

Plymouth, MN 55447

1-800-328-8658 | www.ampmfg.com

