

Specifications

Conditions of Sale

STANDARD: Seller's standard conditions of sale set forth in Price Sheet 150 apply, except as modified under "WARRANTY QUALIFICATIONS" on page 2.

SPECIAL TO THIS PRODUCT:

INCLUSIONS:

SMD-20 and SMD-40 Mountings

Complete mountings include fuse-unit end fittings. Fuse-unit end fittings for SMD-40 Power Fuses include Silencer.

A choice of connector arrangements is available with complete mountings as listed in the table on page 13. Specify the connector arrangement desired by adding the appropriate suffix letter to the catalog number of the selected mounting.

Each overhead—pole-top style SMD-20 Mounting includes mounting bracket and hardware.

EXCLUSIONS:

SMD-20 and SMD-40 Mountings

Mountings do not include fuse units.

SM-4® and SM-5® Mountings

Complete mountings and live parts do not include holders or refill units.

Complete mountings and live parts do not include connectors. Various connectors are available as listed in the table on page 14. Specify quantity and catalog number of connectors desired.

SPECIFICATION DEVIATIONS:

SMD-20 and SMD-40 Mountings

Live parts are not available separately for SMD-20 and SMD-40 Power Fuses.

Station style SMD-20 and SMD-40 Mountings are offered with a choice of Cypoxy®★ or porcelain station post insulators.

The standard insulator color is gray. When mountings are to be provided with special insulators, consult your nearest S&C Sales Office for availability.

Station style mountings (except station—right-angle style) can be supplied less insulators; add suffix "Z1" to the catalog number.

Station style mountings (except station—right-angle style) of a given voltage rating can be provided with insulators of the next *lower* voltage rating—add suffix "Z2" to the catalog number, or the next *higher* voltage rating—add suffix "Z3" to the catalog number.■

Station style mountings cannot be supplied less bases.

Station style mountings (except station—right-angle style) can be supplied with tin-plated terminal pads. To specify, add suffix "Z5" to the catalog number.

Overhead—pole-top style SMD-20 Mountings cannot be supplied less insulators.

SM-4 and SM-5 Mountings

SM-4 and SM-5 Mountings are offered with a choice of Cypoxy or porcelain station post insulators.

The standard insulator color is gray. When mountings are to be provided with special insulators, consult your nearest S&C Sales Office for availability.

Mountings can be supplied less insulators; add suffix "Z1" to the catalog number.

Mountings of a given voltage rating can be provided with insulators of the next *lower* voltage rating—add suffix "Z2" to the catalog number, or the next *higher* voltage rating—add suffix "Z3" to the catalog number.■

Mountings can be supplied less bases but including insulators, add suffix "Z4" to the catalog number.

Mountings can be supplied with tin-plated terminal pads. To specify, add suffix "Z5" to the catalog number. Disconnect style parallel SM-5 Power Fuses are furnished with aluminum terminal pads as a standard feature.

★ *Cypoxy* is the S&C trademark for S&C's cycloaliphatic epoxy resin system. Cypoxy is nontracking, self-scouring, nonweathering . . . there's never a compromise of insulation integrity. S&C Cypoxy station post insulators meet or exceed the electrical and mechanical-strength requirements established in ANSI Standard C29.9 (1983) for porcelain standard-strength station post insulators.

■ Mountings rated 4.8 kV or 7.2 kV cannot be provided with lower rated insulators. Fuse mountings rated 14.4 kV provided with insulators of the next *lower* voltage rating will be furnished with porcelain station post insulators rated 7.2 kV, T.R. No. 202. Fuse mountings rated 34.5 kV provided with insulators of the next *higher* voltage rating will be furnished with porcelain station post insulators rated 46 kV, T.R. No. 214.

▲ S&C Power Fuses—Types SM and SMD are manufactured in accordance with a quality system certified to ISO 9001:2000, and they are Rural Utilities Service (RUS) accepted.



Conditions of Sale—Continued

WARRANTY QUALIFICATIONS:

SMD-20 and SMD-40 Mountings

The standard warranty contained in seller's standard conditions of sale (as set forth in Price Sheet 150) does not apply to S&C SMD-20 or SMD-40 Mountings when installed in conjunction with fuse units or end fittings of other than S&C manufacture, nor does it apply to S&C fuse units or end fittings installed in mountings of other than S&C manufacture.

SM-4 and SM-5 Mountings

For the standard warranty contained in seller's standard conditions of sale (as set forth in Price Sheet 150) to apply to live parts when ordered separately, the live parts must be assembled on mountings in accordance with S&C Instruction Sheet 252-505.

The standard warranty contained in seller's standard conditions of sale (as set forth in Price Sheet 150) does not apply to S&C SM Mountings when installed in conjunction with fuses of other than S&C manufacture.

How to Order a Complete Power Fuse**Types SMD-20 and SMD-40**

1. Obtain the catalog number of the desired mounting from the column entitled, “Mounting” on pages 4 and 5.
Note: Live parts for SMD-20 or SMD-40 Power Fuses cannot be ordered separately.
2. Obtain the catalog number of the applicable SMU-20 or SMU-40 fuse unit from the tables on pages 7 through 9, taking care to match the voltage rating of the fuse unit to that of the mounting.
3. Select the desired connector arrangement from the table on page 13. Add the indicated suffix letter to the catalog number of the mounting selected in Step 1, above.
4. Obtain the catalog number of desired conversion kits, parts, and maintenance supplies from the tables listed on page 15.

How to Order Handling Tools

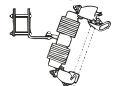
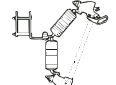
Obtain the catalog number(s) of recommended handling tool(s) from the table on page 15. Refer to Specification Bulletin 851-31.

Types SM-4 and SM-5

1. Obtain the catalog number of the desired mounting from the column entitled, “Mounting” on page 6. If only live parts are desired, refer to the “LIVE PARTS” table on page 16.
2. Obtain the catalog number of the applicable holder from the “Holder” column on page 6, reading from the same line in which the selected mounting is listed.
3. Obtain the catalog number of the applicable refill unit from the tables on pages 10 through 12, taking care to match the voltage rating of the refill unit to that of the mounting. **Note:** For each mounting rated 720E amperes, order two holders and two refill units.
4. Obtain the catalog number of the desired connector from the table on page 14. Order two connectors for each mounting or set of live parts.
5. Obtain the catalog number of desired parts from the table listed on page 16.

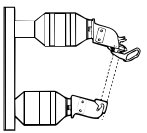
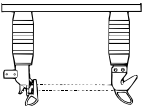
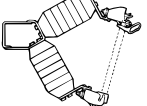
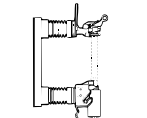
How to Order Handling Tools

Obtain the catalog number(s) of recommended handling tools(s) from the table on page 16. Refer to Specification Bulletin 851-31.

SMD-20 AND SMD-40 MOUNTINGS—Less Connectors ^②										
Style	Type	Rating					Leakage Distance to Ground, Minimum, Inches (mm)	Mounting (including Live Parts and End Fittings, less Connectors ^③)		Page Reference for Dimensional Information
		kV			Amperes, RMS, Sym. ^③			Polymer Insulators	Porcelain Insulators	
		Nom.	Max	BIL	Max ^④	Interrupting		Catalog Number	Catalog Number	
 Overhead—Pole-Top ^{⑥⑦}	SMD-20	14.4	17.0	125	200	14 000	11 (279)	—	92122R3★	17
		14.4	17.0	150	200	14 000	17 (432)	92142R3-P★	92142R3★	17
		25▲	27	150	200	12 500	17 (432)	—	92123R3★	17
		25▲	27	150	200	12 500	26 (660)Ⓣ	92123R3-P★	92143R3★●	17
 Overhead—Pole-Top ^{⑥⑦}	SMD-20	34.5	38	200	200	10 000	25½ (648)	—	92544R3★	18

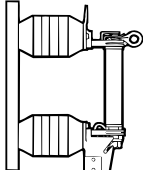
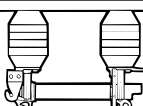
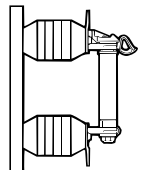
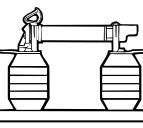
① For available connector arrangements, refer to the table on page 13.
 ② SMD-20 and SMD-40 Live Parts are not available separately.
 ③ Symmetrical ratings assigned are based on available short-circuit current at locations where the X/R ratio is 15. The interrupting ratings expressed in amperes, RMS asymmetrical are 1.6 times the symmetrical ratings listed. Higher symmetrical ratings have been determined for SMD-20 Power Fuses where X/R = 10 and X/R = 5. These higher ratings as well as asymmetrical ratings are given in S&C Descriptive Bulletin 242-32.
 ④ SMU-20 Fuse Units for use in SMD-20 Mountings are available in ratings through 200K amperes, as well as 200E amperes, and 20 DR.
 ⑤ Specify connectors, if desired, by adding the appropriate suffix letter to catalog number. For example, "SMD-20 Outdoor Distribution Power Fuse Mounting, Station—Vertical-Offset Style, Catalog Number 192222R2-L." (See table, page 13.)

⑥ All SMD-20 Mountings are equipped with attachment hook to accommodate Loadbuster.
 ⑦ Connectors must be specified for Overhead—Pole-Top Style and Right-Angle Style SMD-20 Mountings, refer to the table on page 13.
 ▲ Also suitable for protection of single-phase-to-neutral circuits (lines or transformers) on 20/34.5 GrY-kV systems.
 Ⓣ Leakage distance to ground is 26 inches (660 mm) for Catalog Number 92143R3, 30 inches (762 mm) for Catalog Number 92123R3-P.
 ★ For provisions only for NEMA pad-terminal connectors or two-hole compression connectors, add suffix "-G" to catalog number.
 ● Meets 170 kV BIL rating requirement of IEC Publication 282-2.

SMD-20 AND SMD-40 MOUNTINGS—Less Connectors ^{①②}										
Style	Type	Rating					Leakage Distance to Ground, Minimum, Inches (mm)	Catalog Number of Mounting (Including Live Parts and End Fittings, less Connectors ^⑤)		Page Reference for Dimensional Information
		kV			Amperes, RMS, Sym. ^③			Cyproxy Station Post Insulators	Porcelain Station Post Insulators	
		Nom.	Max	BIL	Max ^④	Interrupting				
Station—Vertical-Offset ^⑥ 	SMD-20	14.4	17.0	110	200	14 000	15½ (394)	192222R2-E	192222R2	19
		25	27	150	200	12 500	24 (610)	192223R2-E	192223R2	19
		34.5	38	200	200	10 000	37 (940)	192504-E	192504	19
Station—Inverted ^⑥ 	SMD-20	14.4	17.0	110	200	14 000	15½ (394)	192292-E	192292	20
		25	27	150	200	12 500	24 (610)	192293-E	192293	20
		34.5	38	200	200	10 000	37 (940)	192294-E	192294	20
Station—Right-Angle ^{⑥⑦} 	SMD-20	14.4	17.0	110	200	14 000	15½ (394)	192232R3-E★	192232R3★	21
		25	27	150	200	12 500	24 (610)	192233R3-E★	192233R3★	21
		34.5	38	200	200	10 000	37 (940)	192234R3-E★	192234R3★	21
Station—Vertical ^⑧ 	SMD-40	4.8	5.5	95	400E	25 000	15½ (394)■	192320	192320-SP	22
		14.4	17.0	110	400E	25 000	15½ (394)	192322	192322-SP	22
		25	29	150	400E	20 000	24 (610)	192323	192323-SP	22

① For available connector arrangements, refer to the table on page 13.
 ② SMD-20 and SMD-40 Live Parts are not available separately.
 ③ Symmetrical ratings assigned are based on available short-circuit current at locations where the X/R ratio is 15. The interrupting ratings expressed in amperes, RMS asymmetrical are 1.6 times the symmetrical ratings listed. Higher symmetrical ratings have been determined for SMD-20 Power Fuses where X/R = 10 and X/R = 5. These higher ratings as well as asymmetrical ratings are given in S&C Descriptive Bulletin 242-32.
 ④ SMU-20 Fuse Units for use in SMD-20 Mountings are available in ratings through 200K amperes, as well as 200E amperes, and 20 DR.
 ⑤ Specify connectors, if desired, by adding the appropriate suffix letter to catalog number. For example, “SMD-20 Outdoor Distribution Power Fuse Mounting, Station—Vertical-Offset Style, Catalog Number 192222R2-L.” (See table, page 13.)

⑥ All SMD-20 Mountings are equipped with attachment hook to accommodate Loadbuster.
 ⑦ Connectors must be specified for Overhead—Pole-Top Style and Right-Angle Style SMD-20 Mountings, refer to page 13.
 ⑧ SMD-40 Mountings can be equipped with an optional attachment hook to accommodate Loadbuster®. Specify by adding suffix “-LB” to the catalog number of the SMD-40 Mounting.
 ★ For provisions only for NEMA pad-terminal connectors or two-hole compression connectors, add suffix “-G” to catalog number.
 ■ Mounting includes 14.4-kV 110-kV BIL Cyproxy station post insulators. Leakage distance to ground is 10½ inches (267 mm) for mountings with 95-kV BIL porcelain station post insulators; i.e., Catalog Number 192320-SP.

SM MOUNTINGS AND HOLDERS—Less Refill Units											
Style	Type	Rating					Catalog Number			Page Reference for Dimensional Information	
		kV			Amperes, RMS, Sym. ①		Mounting ^② (Including Live Parts, less Connectors ^③ less Holder)		Holder ^④		
		Nom.	Max	BIL	Max	Interrupting	Cypoxy Station Post Insulators	Porcelain Station Post Insulators			
Disconnect 180° Opening Vertical ^⑤ 	SM-4	7.2	8.3	95	200E	15 600	190501R1-E■	190501R1	86051	23	
		14.4	17.0	110	200E	12 500	190502R1-E	190502R1	86052	23	
		25	27	150	200E	9 400	190503R1-E	190503R1	86053	23	
		34.5	38	150	200E	6 250	—	190054	86054	23	
		34.5	38	200	200E	6 250	190504R1-E	190504R1	86054	23	
	SM-5	7.2	8.3	95	400E	26 000	190601R2-E■	190601R2	86151R2	24	
		7.2	8.3	95	720E	26 000	190561R3-E■	190561R3	86151R2◆	25	
		14.4	17.0	110	400E	34 000▲	190602R2-E	190602R2	86152R2	24	
		14.4	17.0	110	720E	25 000●	190562R3-E	190562R3	86152R2◆	25	
		25	27	150	300E	20 000	190603R2-E	190603R2	86153R2	24	
		34.5	38	150	300E	17 500	—	190064	86154R2	24	
	SM-5	34.5	38	200	300E	17 500	190604R2-E	190604R2	86154R2	24	
		Disconnect 90° Opening Inverted 	7.2	8.3	95	400E	26 000	190801R2-E■	190801R2	86191R2	26
			14.4	17.0	110	400E	34 000▲	190802R2-E	190802R2	86192R2	26
25			27	150	300E	20 000	190803R2-E	190803R2	86193R2	26	
34.5			38	150	300E	17 500	—	190084	86194R2	26	
34.5	38		200	300E	17 500	190804R2-E	190804R2	86194R2	26		
Non-Disconnect Vertical 	SM-4	7.2	8.3	95	200E	15 600	190301R1-E■●	190301R1●	86041		
		14.4	17.0	110	200E	12 500	190302R1-E●	190302R1●	86042		
		25	27	150	200E	9 400	190303R1-E●	190303R1●	86043		
		34.5	38	150	200E	6 250	—	190034●	86044		
		34.5	38	200	200E	6 250	190304R1-E●	190304R1●	86044		
	SM-5	7.2	8.3	95	400E	26 000	190401R2-E■●	190401R2●	86141R2		
		14.4	17.0	110	400E	34 000▲	190402R2-E●	190402R2●	86142R2		
		25	27	150	300E	20 000	190403R2-E●	190403R2●	86143R2		
		34.5	38	150	300E	17 500	—	190044●	86144R2		
		34.5	38	200	300E	17 500	190404R2-E●	190404R2●	86144R2		
Non-Disconnect Upright 	SM-4	7.2	8.3	95	200E	15 600	190301R1-E■●	190301R1●	86281●		
		14.4	17.0	110	200E	12 500	190302R1-E●	190302R1●	86282		
		25	27	150	200E	9 400	190303R1-E●	190303R1●	86283		
		34.5	38	150	200E	6 250	—	190034●	86284●		
		34.5	38	200	200E	6 250	190304R1-E●	190304R1●	86284●		
	SM-5	7.2	8.3	95	400E	26 000	190401R2-E■●	190401R2●	86381R2		
		14.4	17.0	110	400E	34 000▲	190402R2-E●	190402R2●	86382R2		
		25	27	150	300E	20 000	190403R2-E●	190403R2●	86383R2		
		34.5	38	150	300E	17 500	—	190044●	86384R2		
		34.5	38	200	300E	17 500	190404R2-E●	190404R2●	86384R2		

① Symmetrical ratings assigned are based on available short-circuit current at locations where the X/R ratio is 15. The interrupting ratings expressed in amperes, RMS asymmetrical are 1.6 times the symmetrical ratings listed. Higher symmetrical ratings have been determined for these fuses applied at lower system voltages and in locations where X/R = 10 and X/R = 5. These higher ratings as well as asymmetrical ratings are given in S&C Descriptive Bulletin 242-30.

② For live parts furnished separately, refer to the table on page 16.

③ For available connectors, refer to the table on page 14.

④ Holder does not carry Snuffler or Silencer.

⑤ All SM-4 Mountings in the Disconnect 180° Opening Vertical Style can be equipped with attachment hook to accommodate Loadbuster. Specify by adding suffix “-LB” to catalog number of the mounting.

▲ 60-hertz rating. For systems rated above 15.5 kV through 17.0 kV, interrupting rating is 25,000 amperes, RMS symmetrical, 50/60 hertz.

● 60-hertz rating.

■ Mounting includes 14.4-kV 110-kV BIL Cypoxy station post insulators.

● Product discontinued.

◆ Two holders required with each mounting.

SWITCH BLADES				
Item	Rating			Catalog Number
	kV		Amperes, Cont.	
	Nom.	Max		
Switch Blades, for use instead of SM-4 Holders in Disconnect 180° Opening Vertical Style SM-4 Mountings	7.2	7.2	200	3231
	14.4	17	200	3232
	25	27	200	3233
	34.5	38	200	3234
Switch Blades, for use instead of SM-5 Holders in Disconnect 180° Opening Vertical Style SM-5 Mountings	7.2	7.2	400	3241
	14.4	17	400	3242
	25	27	300	3243
	34.5	38	300	3244
Switch Blades, for use instead of SMU-20 Fuse Units in all styles except Station—Inverted SMD-20 Mountings	14.4	17	200	3252
	25	27	200	3253
	34.5	38	200	3254

SMU-20® FUSE UNITS (For use in SMD-20 Mountings)							
14.4 kV Nominal, 17.0 kV Max							
"K" Ratings		"E" Ratings				"DR" Ratings	
Rating, Amperes ↓	Catalog Number	Rating, Amperes ↓	Catalog Number			Rating, Amperes ↓	Catalog Number
Speed →	S&C "K" TCC 165-2	Speed →	S&C Std. TCC 115-2			Speed →	S&C "DR" TCC 175-2
		1	702001				
		Speed →	S&C Std. TCC 153-2	S&C Slow TCC 119-2	S&C Very Slow TCC 176-2		
3K	702003	5E	612005			3DR	622003
6K	702006	7E	612007			4DR	622004
8K	702008	10E	612010			5DR	622005
10K	702010	13E	612013			7DR	622007
12K	702012	15E	612015	712015		10DR	622010
15K	702015	20E	612020	712020		15DR	622015
20K	702020	25E	612025	712025		20DR	622020
25K	702025	30E	612030	712030			
30K	702030	40E	612040	712040			
40K	702040	50E	612050	712050	602050		
50K	702050	65E	612065	712065	602065		
65K	702065	80E	612080	712080	602080		
80K	702080	100E	612100	712100	602100		
100K	702100	125E	612125	712125	602125		
140K	702140	150E	612150	712150	602150		
200K	702200	175E	612175	712175	602175		
		200E	612200	712200	602200		

SMU-20® FUSE UNITS (For use in SMD-20 Mountings)—Continued							
25 kV Nominal, 27 kV Max ^①							
“K” Ratings		“E” Ratings				“DR” Ratings	
Rating, Amperes ↓	Catalog Number	Rating, Amperes ↓	Catalog Number			Rating, Amperes ↓	Catalog Number
Speed →	S&C “K” TCC 165-2	Speed →	S&C Std. TCC 115-2			Speed →	S&C “DR” TCC 175-2
		1	703001				
		Speed →	S&C Std. TCC 153-2	S&C Slow TCC 119-2	S&C Very Slow TCC 176-2		
3K 6K 8K 10K 12K 15K 20K 25K 30K 40K 50K 65K 80K 100K 140K 200K	703003 703006 703008 703010 703012 703015 703020 703025 703030 703040 703050 703065 703080 703100 703140 703200	5E 7E 10E 13E 15E 20E 25E 30E 40E 50E 65E 80E 100E 125E 150E 175E 200E	613005 613007 613010 613013 613015 613020 613025 613030 613040 613050 613065 613080 613100 613125 613150 613175 613200	713015 713020 713025 713030 713040 713050 713065 713080 713100 713125 713150 713175 713200	603050 603065 603080 603100 603125 603150 603175 603200	3DR 4DR 5DR 7DR 10DR 15DR 20DR	623003 623004 623005 623007 623010 623015 623020
34.5 kV Nominal, 38 kV Max							
“K” Ratings		“E” Ratings				“DR” Ratings	
Rating, Amperes ↓	Catalog Number	Rating, Amperes ↓	Catalog Number			Rating, Amperes ↓	Catalog Number
Speed →	S&C “K” TCC 165-2	Speed →	S&C Std. TCC 115-2			Speed →	S&C “DR” TCC 175-2
		1	704001				
		Speed →	S&C Std. TCC 153-2	S&C Slow TCC 119-2	S&C Very Slow TCC 176-2		
3K 6K 8K 10K 12K 15K 20K 25K 30K 40K 50K 65K 80K 100K 140K 200K	704003 704006 704008 704010 704012 704015 704020 704025 704030 704040 704050 704065 704080 704100 704140 704200	5E 7E 10E 13E 15E 20E 25E 30E 40E 50E 65E 80E 100E 125E 150E 175E 200E	614005 614007 614010 614013 614015 614020 614025 614030 614040 614050 614065 614080 614100 614125 614150 614175 614200	714015 714020 714025 714030 714040 714050 714065 714080 714100 714125 714150 714175 714200	604050 604065 604080 604100 604125 604150 604175 604200	3DR 4DR 5DR 7DR 10DR 15DR 20DR	624003 624004 624005 624007 624010 624015 624020

① Also suitable for protection of single-phase-to-neutral circuits (lines or transformers) on 20/34.5 GrY-kV systems.

SMU-40® FUSE UNITS (For use in SMD-40 Mountings)						
Rating, Amperes ↓	4.8 kV Nominal, 5.5 kV Max		14.4 kV Nominal, 17.0 kV Max		25 kV Nominal, 29 kV Max	
	Catalog Number		Catalog Number		Catalog Number	
Speed →	S&C Std. TCC 115-2		S&C Std. TCC 115-2		S&C Std. TCC 115-2	
1	820001		822001		823001	
2	820002		822002		823002	
Speed →	S&C Std. TCC 153-2	S&C Slow TCC 119-2	S&C Std. TCC 153-2	S&C Slow TCC 119-2	S&C Std. TCC 153-2	S&C Slow TCC 119-2
3E	820003		822003		823003	
5E	820005		822005		823005	
7E	820007		822007		823007	
10E	820010		822010		823010	
13E	820013		822013		823013	
15E	820015	830015	822015	832015	823015	833015
20E	820020	830020	822020	832020	823020	833020
25E	820025	830025	822025	832025	823025	833025
30E	820030	830030	822030	832030	823030	833030
40E	820040	830040	822040	832040	823040	833040
50E	820050	830050	822050	832050	823050	833050
65E	820065	830065	822065	832065	823065	833065
80E	820080	830080	822080	832080	823080	833080
100E	820100	830100	822100	832100	823100	833100
125E	820125	830125	822125	832125	823125	833125
150E	820150	830150	822150	832150	823150	833150
175E	820175	830175	822175	832175	823175	833175
200E	820200	830200	822200	832200	823200	833200
250E	820250	830250	822250	832250	823250	833250
300E	820300	830300	822300	832300	823300	833300
400E	820400	830400	822400	832400	823400	833400

SM-4® REFILL UNITS (For use in SM-4 Holders)					
Rating, Amperes ↓	7.2 kV Nominal, 8.3 kV Max ^①		14.4 kV Nominal, 17.0 kV Max		
	Catalog Number		Catalog Number		
Speed →	S&C Std. TCC 115-4		S&C Std. TCC 115-4		
1	121001R4		122001R4		
2	121002R4		122002R4		
Speed →	S&C Std. TCC 153-4	S&C Slow TCC 119-4	S&C Std. TCC 153-4	S&C Slow TCC 119-4	S&C Coord. TCC 179-4
3E	121005R4		122005R4		
5E	121007R4		122007R4		
7E	121010R4		122010R4		
10E	121015R4		122015R4		
13E	121020R4		122020R4		
15E	121025R4	251025R4	122025R4	252025R4	
20E	121030R4	251030R4	122030R4	252030R4	
25E	121040R4	251040R4	122040R4	252040R4	
30E	121050R4	251050R4	122050R4	252050R4	
40E	121060R4	251060R4	122060R4	252060R4	
50E	121075R4	251075R4	122075R4	252075R4	
65E	121100R4	251100R4	122100R4	252100R4	
80E	121125R4	251125R4	122125R4	252125R4	
100E	121150R4	251150R4	122150R4	252150R4	
125E	121200R4	251200R4	122200R4	252200R4	
150E	121250R4	251250R4	122250R4	252250R4	
175E	121275R4	251275R4	122275R4	252275R4	
200E	121300R4	251300R4	122300R4	252300R4	
210					382210R4■
Rating, Amperes ↓	25 kV Nominal, 27 kV Max		34.5 kV Nominal, 38 kV Max		
	Catalog Number		Catalog Number		
Speed →	S&C Std. TCC 115-4		S&C Std. TCC 115-4		
1	123001R4		124001R4		
2	123002R4		124002R4		
Speed →	S&C Std. TCC 153-4	S&C Slow TCC 119-4	S&C Std. TCC 153-4	S&C Slow TCC 119-4	
3E	123005R4		124005R4		
5E	123007R4		124007R4		
7E	123010R4		124010R4		
10E	123015R4		124015R4		
13E	123020R4		124020R4		
15E	123025R4		124025R4		
20E	123030R4	253025R4	124030R4	254025R4	
25E	123040R4	253030R4	124040R4	254030R4	
30E	123050R4	253040R4	124050R4	254040R4	
40E	123060R4	253050R4	124060R4	254050R4	
50E	123075R4	253060R4	124075R4	254060R4	
65E	123100R4	253075R4	124100R4	254075R4	
80E	123125R4	253100R4	124125R4	254100R4	
100E	123150R4	253125R4	124150R4	254125R4	
125E	123200R4	253150R4	124200R4	254150R4	
150E	123250R4	253200R4	124250R4	254200R4	
175E	123275R4	253250R4	124275R4	254250R4	
200E	123300R4	253275R4	124300R4	254275R4	
		253300R4		254300R4	

① Rated 7.2 kV nominal for use in SM-4 Holders rated 7.2 kV.

■ This S&C Coordinating Speed refill unit should be applied where the maximum continuous load current does not exceed 200 amperes and where all fault currents below 1000 amperes will be cleared by another fuse.

SM-5® REFILL UNITS (For use in SM-5 Holders)						
Rating, Amperes ↓	4.16 kV Nominal, 4.76 kV Max ^①			7.2 kV Nominal, 8.3 kV Max ^②		
	Catalog Number			Catalog Number		
Speed →	S&C Std. TCC 115-4			S&C Std. TCC 115-4		
1	130001R4			131001R4		
2	130002R4			131002R4		
Speed →	S&C Std. TCC 153-4	S&C Slow TCC 119-4	S&C Coord. TCC 173-4	S&C Std. TCC 153-4	S&C Slow TCC 119-4	S&C Coord. TCC 173-4
3E	130005R4			131005R4		
5E	130007R4			131007R4		
7E	130010R4			131010R4		
10E	130015R4			131015R4		
13E	130020R4			131020R4		
15E	130025R4	260025R4		131025R4		
20E	130030R4	260030R4		131030R4		
25E	130040R4	260040R4		131040R4		
30E	130050R4	260050R4		131050R4		
40E	130060R4	260060R4		131060R4		
50E	130075R4	260075R4		131075R4		
65E	130100R4	260100R4		131100R4		
80E	130125R4	260125R4		131125R4		
100E	130150R4	260150R4		131150R4		
125E	130200R4	260200R4		131200R4		
150E	130250R4	260250R4		131250R4		
175E	130275R4	260275R4		131275R4		
200E	130300R4	260300R4		131300R4		
250E	130400R4	260400R4		131400R4	261400R4	
300E	130500R4	260500R4		131500R4	261500R4	
400E	130600R4	260600R4		131600R4	261600R4	
410			381410R4▲■			381410R4■
420			381420R4▲■			381420R4■
Rating, Amperes ↓	14.4 kV Nominal, 17.0 kV Max			25 kV Nominal, 27 kV Max		
	Catalog Number			Catalog Number		
Speed →	S&C Std. TCC 115-4			S&C Std. TCC 115-4		
1	132001R4			133001R4		
2	132002R4			133002R4		
Speed →	S&C Std. TCC 153-4	S&C Slow TCC 119-4	S&C Coord. TCC 173-4	S&C Std. TCC 153-4	S&C Slow TCC 119-4	
3E	132005R4			133005R4		
5E	132007R4			133007R4		
7E	132010R4			133010R4		
10E	132015R4			133015R4		
13E	132020R4			133020R4		
15E	132025R4	262025R4		133025R4	263025R4	
20E	132030R4	262030R4		133030R4	263030R4	
25E	132040R4	262040R4		133040R4	263040R4	
30E	132050R4	262050R4		133050R4	263050R4	
40E	132060R4	262060R4		133060R4	263060R4	
50E	132075R4	262075R4		133075R4	263075R4	
65E	132100R4	262100R4		133100R4	263100R4	
80E	132125R4	262125R4		133125R4	263125R4	
100E	132150R4	262150R4		133150R4	263150R4	
125E	132200R4	262200R4		133200R4	263200R4	
150E	132250R4	262250R4		133250R4	263250R4	
175E	132275R4	262275R4		133275R4	263275R4	
200E	132300R4	262300R4		133300R4	263300R4	
250E	132400R4	262400R4		133400R4	263400R4	
300E	132500R4	262500R4		133500R4	263500R4	
400E	132600R4	262600R4				
410			382410R4■			
420			382420R4■			

① Rated 4.16 kV nominal, for use in SM-5 Holders rated 7.2 kV when applied in listed mountings rated 7.2 kV for system voltages through 4.16 kV.



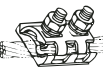
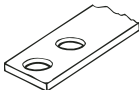

② Rated 7.2 kV nominal, for use in SM-5 Holders rated 7.2 kV when applied in listed mountings rated 7.2 kV for system voltages through 4.8 kV through 7.2 kV.

▲ Catalog numbers are in italics because these are 7.2-kV refill units.

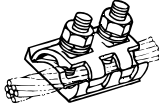

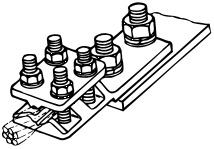
Interrupting ratings are those listed in S&C Descriptive Bulletin 242-30 for 7.2-kV SM-5 Power Fuses applied to systems rated 2.4/4.16 Y kV.

■ These S&C Coordinating Speed refill units should be applied where the maximum continuous load current does not exceed 400 amperes and where all fault currents below 3000 amperes for Catalog Numbers 381410R4 and 382410R4 and 4000 amperes for Catalog Numbers 381420R4 and 382420R4 will be cleared by another fuse.

SM-5® REFILL UNITS (For use in SM-5 Holders)		
Rating, Amperes ↓	34.5 kV Nominal, 38 kV Max	
	Catalog Number	
Speed →	S&C Std. TCC 115-4	
1	134001R4	
2	134002R4	
Speed →	S&C Std. TCC 153-4	S&C Slow TCC 119-4
3E	134005R4	
5E	134007R4	
7E	134010R4	
10E	134015R4	
13E	134020R4	
15E	134025R4	264025R4
20E	134030R4	264030R4
25E	134040R4	264040R4
30E	134050R4	264050R4
40E	134060R4	264060R4
50E	134075R4	264075R4
65E	134100R4	264100R4
80E	134125R4	264125R4
100E	134150R4	264150R4
125E	134200R4	264200R4
150E	134250R4	264250R4
175E	134275R4	264275R4
200E	134300R4	264300R4
250E	134400R4	264400R4
300E	134500R4	264500R4

CONNECTORS—Two Provided per Mounting—For use with SMD-20 and SMD-40 Mountings			
To Specify Connector Arrangement			Add Catalog Number Suffix
Illustration	Description	Accommodating Conductors	
		Size and Material	
	Parallel-Groove Connectors	Two No. 6 solid (13.3 mm ²) through No. 2 stranded (44.4 mm ²) copper or aluminum in one groove, No. 2 solid (33.6 mm ²) through 250 kc mil (168 mm ²) stranded copper or aluminum, or 4/0 ACSR (161 mm ²) in the other groove	-D▲
	Bronze Body, Tin Plated, Single 1/2-13 × 2 1/2 Galvanized Steel Bolt. Same as Catalog Number 4740R1	No. 2 solid (33.6 mm ²) through 500 kc mil (335 mm ²) stranded copper or aluminum, or 397.5 kc mil ACSR (329 mm ²)	-K
	Aluminum-Alloy Body, Tin Plated, Two 1/2-13 × 2 1/2 Galvanized Steel Bolts. Same as Catalog Number 4744	No. 2 solid (33.6 mm ²) through 500 kc mil (335 mm ²) stranded copper or aluminum, or 397.5 kc mil ACSR (329 mm ²)	-L
	Provision only for NEMA pad-terminal connectors or two-hole compression connectors. Includes tin plated terminal adapters but does not include hardware		-G▲
	Eye-Bolt Connectors	No. 8 solid (8.4 mm ²) through 250 kc mil (168 mm ²) stranded copper or aluminum, or 4/0 ACSR (161 mm ²)	-M▲

▲ Applies only to station—right-angle and overhead—pole-top style SMD-20 Mountings.

CONNECTORS—For use with SM-4® and SM-5® Mountings			
Illustration and Description	Accommodating Conductor	Catalog Number	
		Upper Terminal Pad	Lower Terminal Pad
 <p>Aluminum Alloy Body, Tin Plated, Two ½–13 × 2¼ Galvanized Steel Bolts</p>	No. 2 solid (33.6 mm ²) through 500 kc mil (335 mm ²) stranded copper or aluminum	4741R2	—
 <p>Aluminum Alloy Body, Tin Plated, Two ½–13 × 2¼ Galvanized Steel Bolts</p>	No. 2 solid (33.6 mm ²) through 500 kc mil (335 mm ²) stranded copper or aluminum	—	4746
 <p>Standard Bronze-Pad Terminal, Tin Plated, Four-Bolt. Includes ½-inch galvanized steel hardware for attachment to terminal pads of fuses</p>	No. 6 solid (13.3 mm ²) through 250 kc mil (168 mm ²) copper or aluminum	—	4564R1-A
		4564R1-B	—
	1/0 solid (53.5 mm ²) through 500 kc mil (335 mm ²) copper or aluminum	—	4565R1-A
		4565R1-B	—
	2/0 stranded (89 mm ²) through 800 kc mil (539 mm ²) copper or aluminum	—	4567R1-A
		4567R1-B	—

CONVERSION KITS—For use with SMD-20 Power Fuses

Item	Catalog Number
Conversion Kit, adapts superseded 34.5-kV station—vertical-offset style mountings ^① to accept shorter, 28½-inch (724 mm) 34.5-kV SMU-20 Fuse Units listed on page 8 [superseded length was 34¼ inches (870 mm)]	5256

① Identified by the following catalog numbers:

92224R2	92224R1	92224
192224R2	192224R1	192224
192224R2-HF	192224R1-HF	192224-HF

PARTS—For use with SMD-20 and SMD-40 Power Fuses

Item	For Fuse Unit Rated, kV, Nominal		Catalog Number
	From	To	
Spare Fuse-Unit End Fittings—for use in SMD-20 Mountings, all styles except Station—Inverted	7.2	34.5	3095
Spare Fuse-Unit End Fittings—for use in SMD-20 Mountings, Station—Inverted Style	14.4	34.5	3096
Spare Fuse-Unit End Fittings—for use in SMD-40 Mountings, Station—Vertical Style	4.8	25	3085▲
Replacement Silencers—for use in SMD-40 Mountings, Station—Vertical Style	4.8	25	FDA-1064

▲ Includes Silencer.

MAINTENANCE SUPPLIES—For use with SMD-20 and SMD-40 Power Fuses

Item	For Fuse Unit	Catalog Number
Fuse-Unit Recoating Kit—one-half pint Light Gray Epoxy Polyester Gloss Enamel 13-E-1 and one-half pint Catalyst 13-C-0 (two coats for ten fuse units). ^① Requires thinner listed below	All	9900-027
Thinner for above—one pint	All	FA-104643

① Shelf life is one year from date of manufacture.

RECOMMENDED HANDLING TOOLS—For use with SMD-20 and SMD-40 Power Fuses

Item	Catalog Number
Large Clamp■	4410R3
Station Prong	4402R2
Distribution Prong	4416
Talon™	4440
Universal Pole	◆

■ For installing and removing fuse units in SMD-40 Power Fuse Mountings.

◆ Select to match height of installation. Refer to Specification Bulletin 851-31.

LIVE PARTS—For SM-4 and SM-5 Power Fuses		
Item	For Fuse Type	Catalog Number
Disconnect, 180° Opening Vertical	SM-4	87119
	SM-5	87519R2
	SM-5 (Parallel)	87169R3
Disconnect, 90° Opening Inverted	SM-5	87199R2

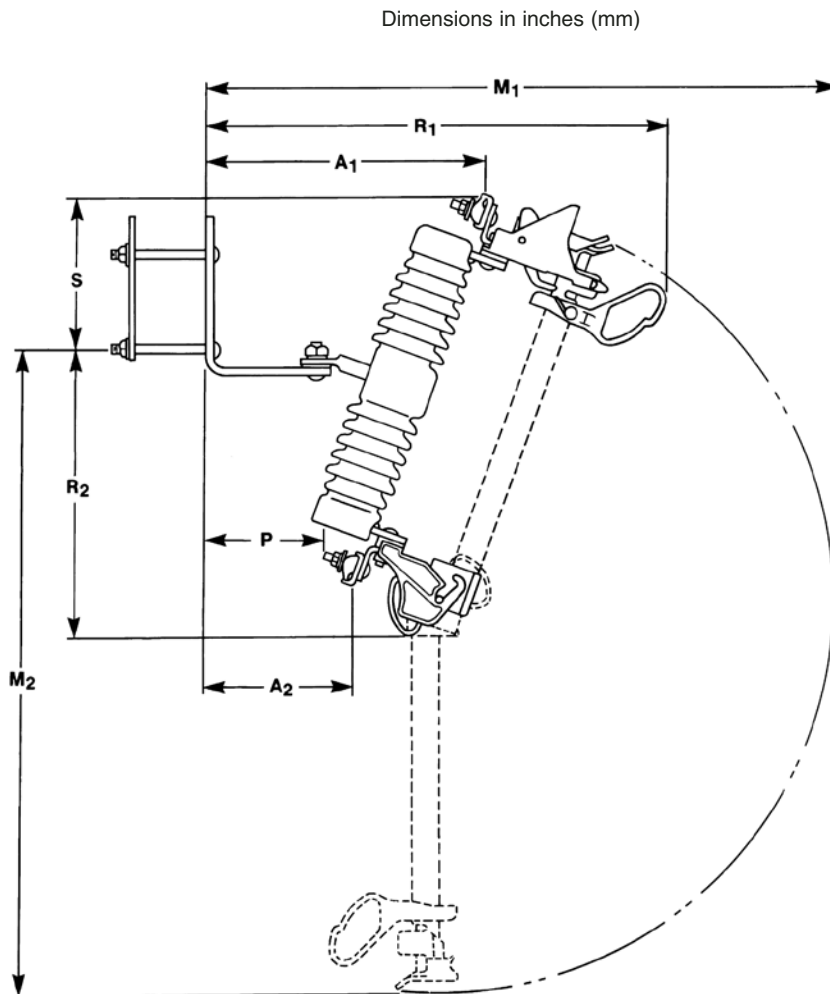
PARTS—For use with SM-4 and SM-5 Power Fuses			
Item	For Holder		Catalog Number
	Rated (kV, Nominal)	Type	
Spare Spring-and-Cable Assembly	7.2	SM-4	FA-972
	7.2	SM-5	FA-2341▲
	14.4	SM-4	FA-973
	14.4	SM-5	FA-2342▲
	23 or 25	SM-4	FA-974
	23 or 25	SM-5	FA-2343▲
	34.5	SM-4	FA-975
Pull-Ring Assembly for Holder, Disconnect, 180° Opening Vertical	7.2 through 34.5	SM-4	FDA-1025
	7.2 through 34.5	SM-5	FDA-1027
Pivot/Rain Shield Assembly for Holder, Disconnect, 180° Opening Vertical	7.2 through 34.5	SM-4	FDA-1028
	7.2 through 34.5	SM-5	FDA-1029

▲ For use only in holders carrying an arrow-shaped nameplate. Spring-and-cable assemblies for holders which do not carry an arrow-shaped nameplate are no longer available—so a new holder with the appropriate voltage rating must be ordered.

RECOMMENDED HANDLING TOOLS—For use with SM-4 and SM-5 Power Fuses			
Item	For Fuse Mounting		Catalog Number
	Style	Type	
Locking Prong	Disconnect 90° Opening Inverted	SM-5	4404
Station Prong	Disconnect 180° Opening Vertical and Disconnect 90° Opening Inverted	SM-4 or SM-5	4402R2
Universal Pole			◆

◆ Select to match height of installation. Refer to Specification Bulletin 851-31.

**SMD-20 Power Fuse
Overhead—Pole-Top Style**



Rating			Leakage Distance to Ground Minimum, Inches (mm)	Catalog Number ^{①②} (Complete Mounting Incl. Live Parts and End Fittings, less Connectors)		Dimensions in Inches (mm)								Net Wt., Lbs. (Kg.)		
kV				Amps, Max	Polymer Insulators	Porcelain Insulators	A ₁	A ₂	M ₁	M ₂	P	R ₁	R ₂	S ^③	Polymer Insulators	Porcelain Insulators
Nom.	Max	BIL														
14.4	17.0	125	200	11 (279)	—	92122R3▲	12 ⁷ / ₈ (327)	6 ⁵ / ₈ (168)	28 ⁵ / ₈ (727)	30 (762)	5 ¹ / ₂ (140)	21 ¹ / ₂ (546)	14 (356)	6 ⁷ / ₈ (175)	—	23 (10)
14.4	17.0	150	200	17 (432)	92142R3-P▲	92142R3▲	12 ⁷ / ₈ (327)	6 ⁵ / ₈ (168)	28 ⁵ / ₈ (727)	30 (762)	5 ¹ / ₂ (140)	21 ¹ / ₂ (546)	14 (356)	6 ⁷ / ₈ (175)	17 (8)	27 (12)
25★	27	150	200	17 (432)	—	92123R3▲	13 ³ / ₈ (340)	5 ³ / ₈ (137)	31 ¹ / ₂ (800)	35 ¹ / ₈ (892)	4 ⁷ / ₈ (124)	22 ¹ / ₁₆ (560)	15 ⁵ / ₈ (397)	8 ¹ / ₄ (210)	—	25 (11)
25★	27	150	200	26⓪ (660)	92123R3-P▲	92143R3▲	13 ³ / ₈ (340)	5 ³ / ₈ (137)	31 ¹ / ₂ (800)	35 ¹ / ₈ (892)	4 ⁷ / ₈ (124)	22 ¹ / ₁₆ (560)	15 ⁵ / ₈ (397)	8 ¹ / ₄ (210)	19 (9)	30 (14)

① All SMD-20 Mountings are equipped with attachment hook to accommodate Loadbuster.

② Connectors must be specified, refer to the table on page 13.

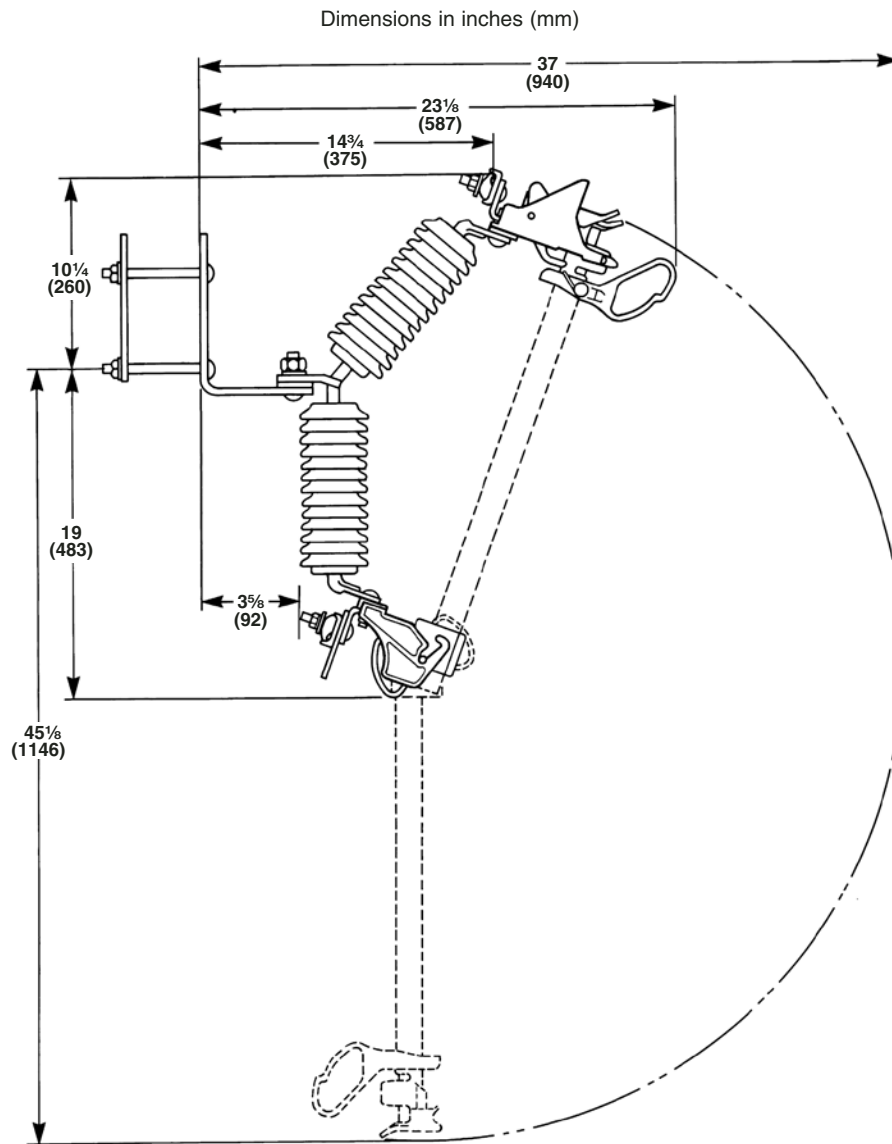
③ Dimension applies to mounting furnished with optional parallel-groove connectors (mounting catalog number suffix “-D”). Dimension varies for mountings furnished with other connector arrangements.

★ Also suitable for protection of single-phase-to-neutral circuits (lines or transformers) on 20/34.5 GrY-kV systems.

▲ For provisions only for NEMA pad-terminal connectors or two-hole compression connectors, add suffix “-G” to catalog number.

⓪ Leakage distance to ground is 26 inches for Catalog Number 92143R3, 30 inches for Catalog Number 92123R3-P.

**SMD-20 Power Fuse
Overhead—Pole-Top Style**



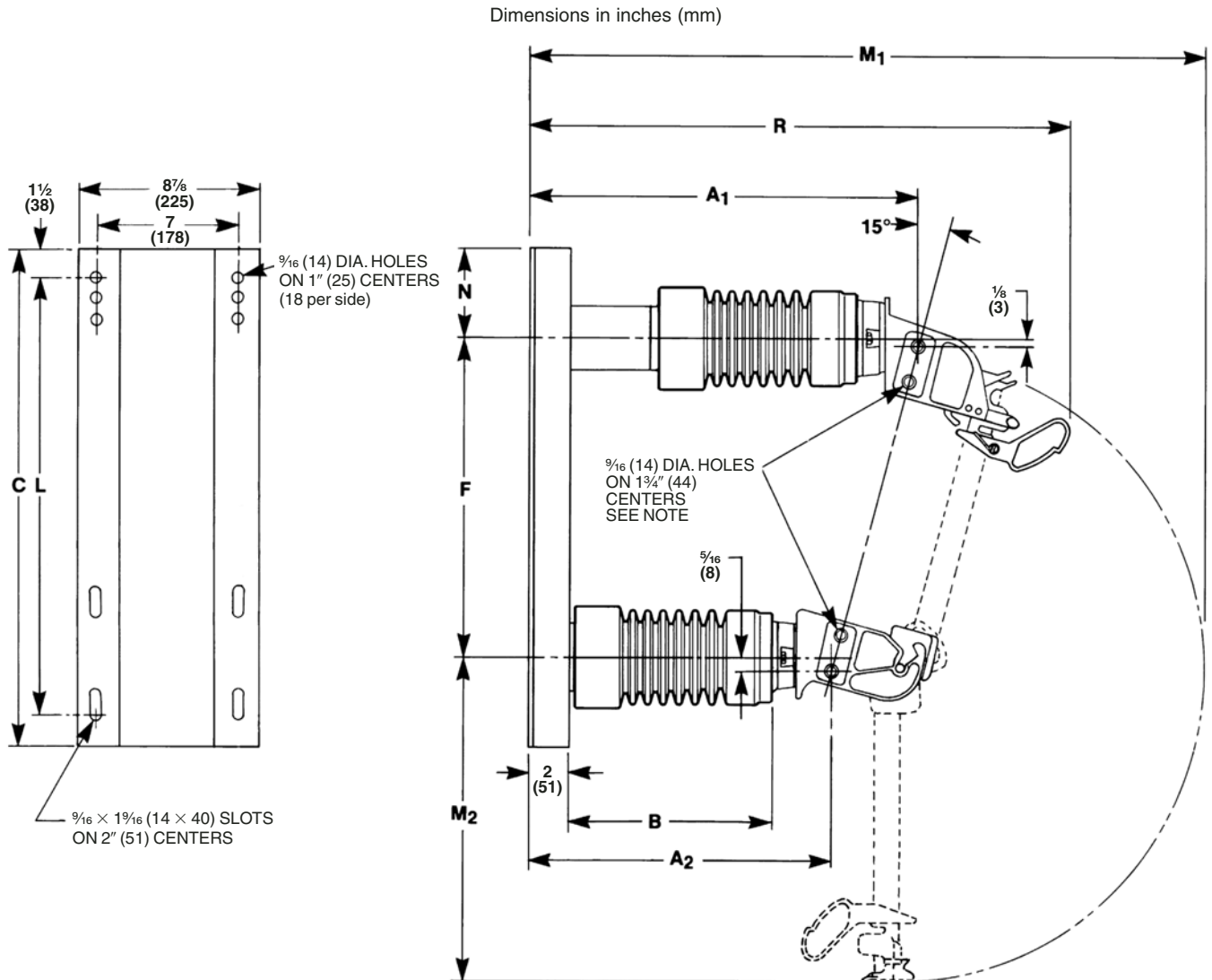
Rating			Amps, Max	Leakage Distance to Ground Minimum, Inches (mm)	Catalog Number ^{①②} (Complete Mounting Incl. Live Parts and End Fittings, less Connectors)	Net Wt., Lbs. (Kg.)
kV		BIL				
Nom.	Max					
34.5	38	200	200	25 1/2 (648)	92544R3▲	33 (15)

① All SMD-20 Mountings are equipped with attachment hook to accommodate Loadbuster.

▲ For provisions only for NEMA pad-terminal connectors or two-hole compression connectors, add suffix “-G” to catalog number.

② Connectors must be specified, refer to the table on page 13.

SMD-20 Power Fuse Station—Vertical-Offset Style



NOTE: Terminal pads provided on both sides of fuse mounting.

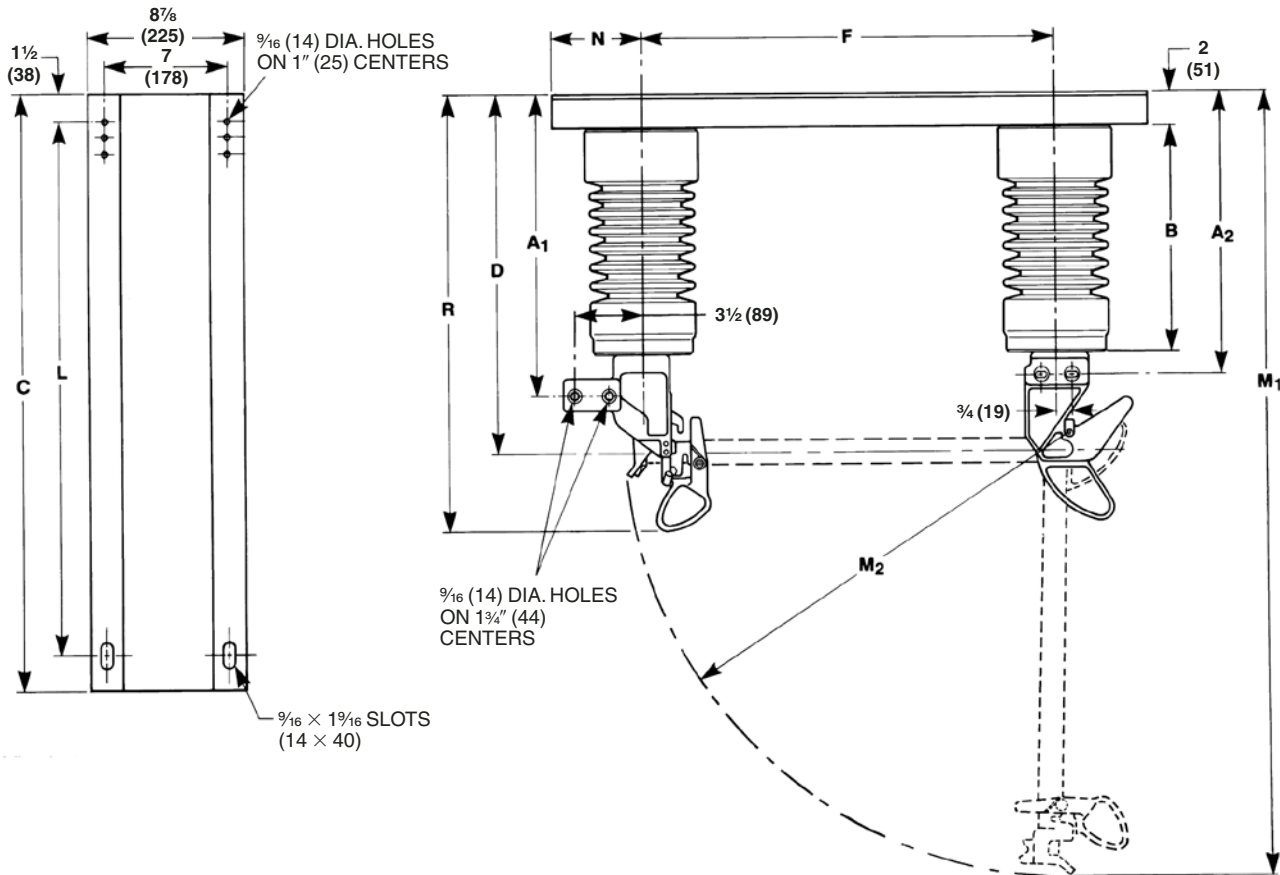
Rating				Leakage Distance to Ground Minimum, Inches (mm)	Catalog Number (Complete Mounting Incl. Live Parts and End Fittings, less Connectors) ① ②		Dimensions in Inches (mm)													Number of slots per side	Net Wt., Lbs. (Kg.)	
kV			Amps, Max		Cypoxy Station Post Insulators	Porcelain Station Post Insulators	A ₁	A ₂	B	C	F	L	M ₁	M ₂	N	R	Cypoxy Station Post Insulators	Porcelain Station Post Insulators				
Nom.	Max	BIL																				
14.4	17.0	110	200	15½ (394)	192222R2-E	192222R2	19⅞ (505)	14½ (368)	10 (254)	27 (686)	18 ¹⁹ / ₁₆ (478)	25 (635)	36⅞ (924)	18⅞ (467)	4 ¹ / ₁₆ (103)	27⅞ (702)	3	60 (27)	74 (34)			
25	27	150	200	24 (610)	192223R2-E	192223R2	24¾ (629)	18½ (470)	14 (356)	31 (787)	22¼ (565)	29 (737)	43⅞ (1114)	21⅞ (556)	4⅞ (111)	32⅞ (829)	5	77 (35)	104 (47)			
34.5	38	200	200	37 (940)	192504-E	192504	30⅞ (772)	22½ (572)	18 (457)	39 (991)	28 (711)	37 (940)	53⅞ (1368)	27⅞ (708)	5½ (140)	38⅞ (968)	9	98 (44)	136 (62)			

① All SMD-20 Mountings are equipped with attachment hook to accommodate Loadbuster.

② For available connector arrangements, refer to the table on page 13.

SMD-20 Power Fuse Station—Inverted Style

Dimensions in inches (mm)

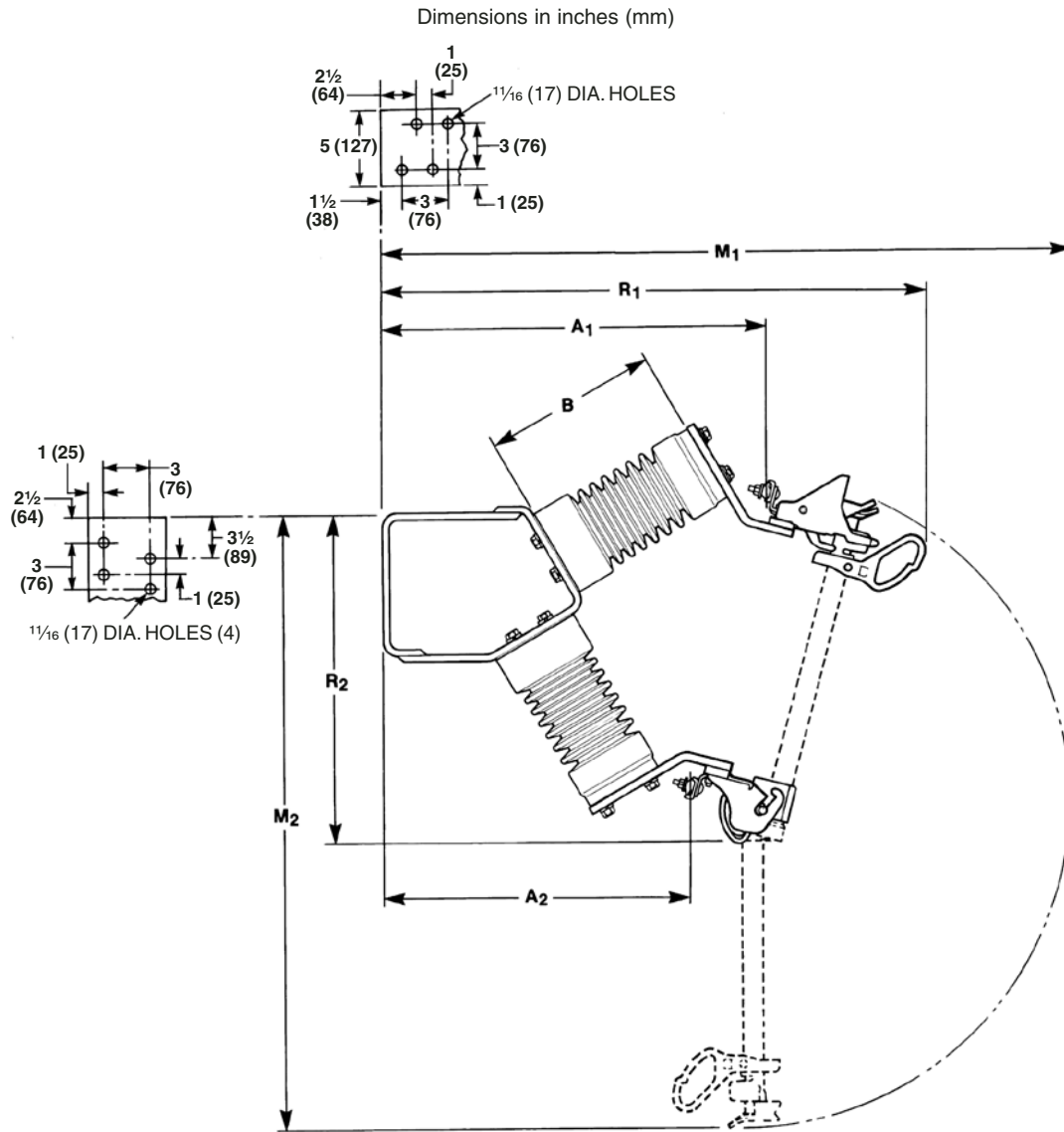


Rating				Leakage Distance to Ground Minimum, Inches (mm)	Catalog Number (Complete Mounting Incl. Live Parts and End Fittings, less Connectors) ^{①②}		Dimensions in Inches (mm)										Net Wt., Lbs. (Kg.)		
kV Nom.	kV Max	BIL	Amps, Max		Cypoxy Station Post Insulators	Porcelain Station Post Insulators	A ₁	A ₂	B	C	D	F	L	M ₁	M ₂	N	R	Cypoxy Station Post Insulators	Porcelain Station Post Insulators
				14.4			17.0	110	200	15 1/2 (394)	192292-E	192292	14 3/8 (365)	14 1/8 (359)	10 (254)	25 (635)	17 7/8 (454)	17 1/4 (438)	22 (559)
25	27	150	200	24 (610)	192293-E	192293	18 3/8 (467)	18 1/8 (460)	14 (356)	29 (737)	21 7/8 (556)	20 3/4 (527)	26 (660)	43 1/8 (1095)	21 7/8 (556)	4 1/4 (108)	26 1/8 (664)	70 (32)	97 (44)
34.5	38	200	200	37 (940)	192294-E	192294	22 3/8 (568)	22 1/8 (562)	18 (457)	35 (889)	25 7/8 (657)	26 3/4 (679)	32 (813)	53 1/8 (1349)	27 7/8 (708)	4 1/4 (108)	30 1/8 (765)	90 (41)	128 (58)

① All SMD-20 Mountings are equipped with attachment hook to accommodate Loadbuster.

② For available connector arrangements, refer to the table on page 13.

SMD-20 Power Fuse Station—Right-Angle Style



Rating				Leakage Distance to Ground Minimum, Inches (mm)	Catalog Number (Complete Mounting Incl. Live Parts and End Fittings, less Connectors) ^{①②}		Dimensions in Inches (mm)						Net Wt., Lbs. (Kg.)		
kV			Amps, Max		Cypoxy Station Post Insulators	Porcelain Station Post Insulators	A ₁	A ₂	B	M ₁	M ₂	R ₁	R ₂	Cypoxy Station Post Insulators	Porcelain Station Post Insulators
Nom.	Max	BIL													
14.4	17.0	110	200	15½ (394)	192232R3-E▲	192232R3▲	21⅞ (549)	17 (432)	10 (254)	39½ (1003)	35¼ (895)	30⅞ (778)	17⅞ (448)	50 (23)	64 (29)
25	27	150	200	24 (610)	192233R3-E▲	192233R3▲	25¾ (654)	20⅞ (518)	14 (356)	46⅞ (1178)	41½ (1054)	34¾ (883)	20⅞ (518)	60 (27)	87 (39)
34.5	38	200	200	37 (940)	192234R3-E▲	192234R3▲	29⅞ (740)	22⅞ (562)	18 (457)	54⅞ (1375)	51⅞ (1299)	38⅞ (968)	24 (610)	72 (33)	110 (50)

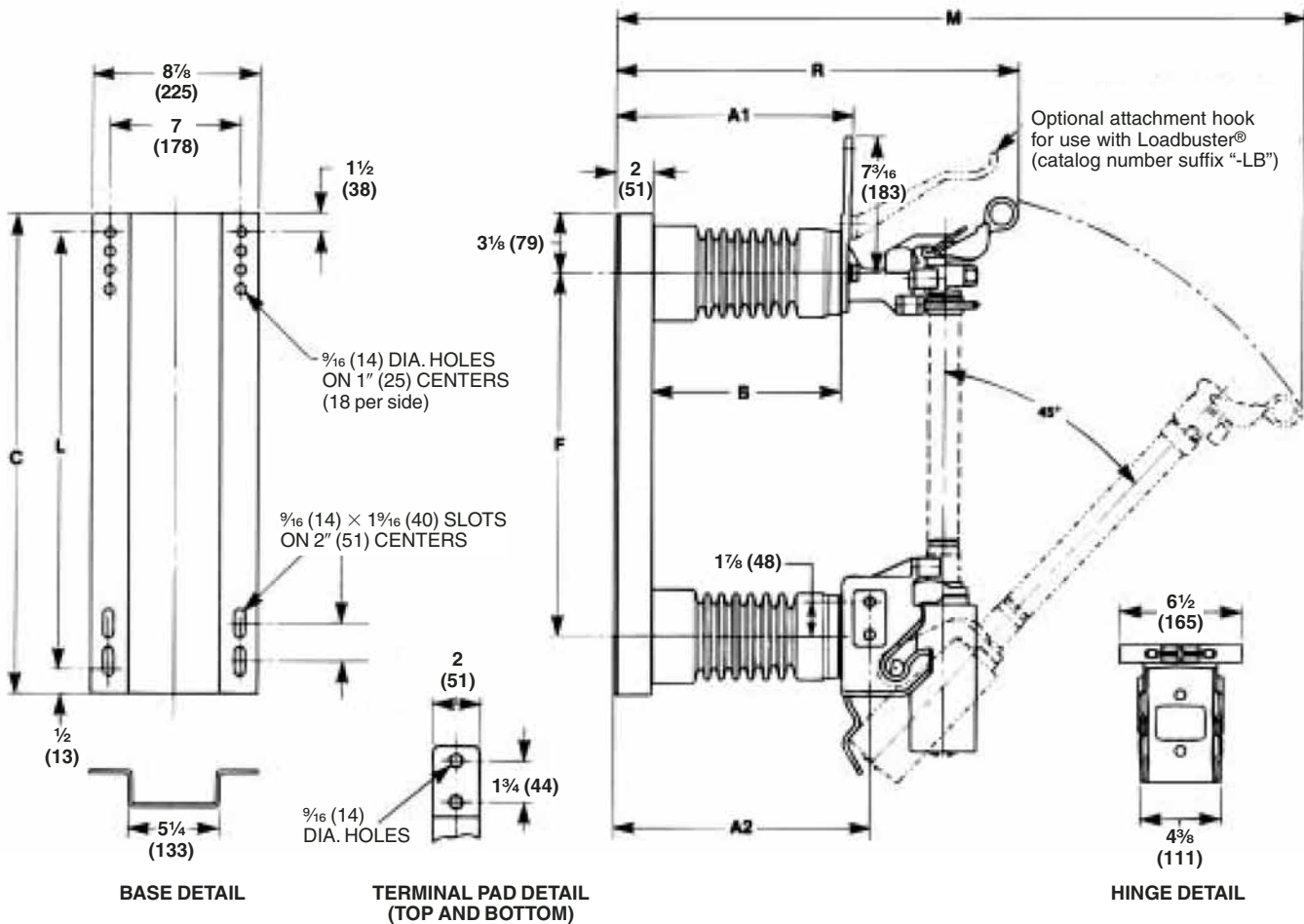
① All SMD-20 Mountings are equipped with attachment hook to accommodate Loadbuster.

▲ For provisions only for NEMA pad-terminal connectors or two-hole compression connectors, add suffix “-G” to catalog number.

② Connectors must be specified, refer to the table on page 13.

SMD-40 Power Fuse Station—Vertical Style

Dimensions in inches (mm)

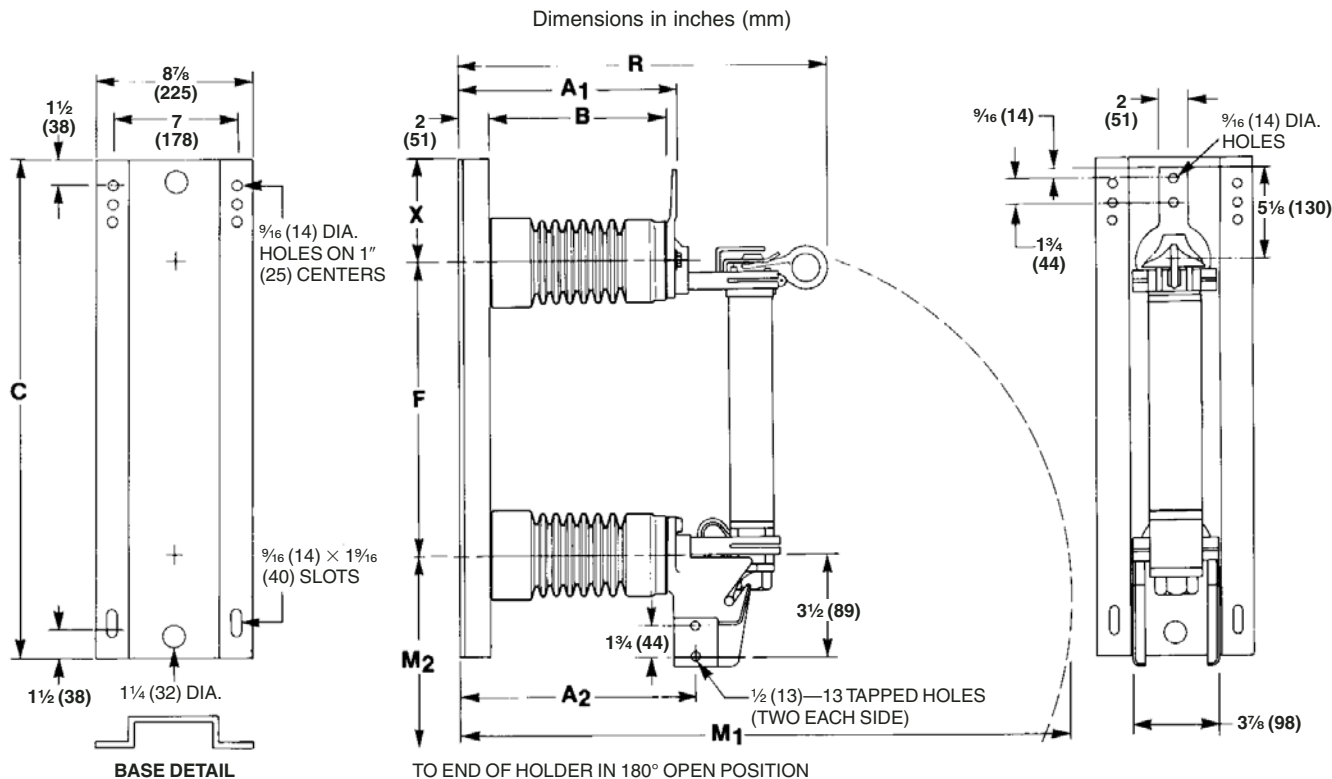


Rating				Leakage Distance to Ground, Minimum, Inches (mm)	Catalog Number (Complete Mounting incl. Live Parts and End Fittings, less Connectors) ①②③		Dimensions in Inches (mm)								Number of Slots per Side	Net Weight, Lbs. (Kg.)	
kV			Amps, Max		Cyproxy Station Post Insulators	Porcelain Station Post Insulators	A1	A2	B	C	F	L	M	R		Cyproxy Station Post Insulators	Porcelain Station Post Insulators
Nom.	Max	BIL															
4.8	5.5	95	400E	15 1/2 (394)	192320▲	192320-SP	12 5/8 (321)	13 3/8 (346)	10 (254)	27 (686)	19 1/4 (489)	25 (635)	36 5/8 (924)	21 3/8 (543)	3	65 (29)	73 (33)
14.4	17.0	110	400E	15 1/2 (394)	192322	192322-SP	12 5/8 (321)	13 5/8 (346)	10 (254)	29 (737)	22 3/4 (578)	27 (686)	38 3/4 (984)	21 3/8 (543)	4	70 (32)	85 (39)
25	29	150	400E	24 (610)	192323	192323-SP	16 5/8 (422)	17 7/8 (448)	14 (356)	33 (838)	26 1/4 (667)	31 (787)	45 1/8 (1146)	25 3/8 (645)	6	85 (39)	110 (50)

① For available connector arrangements, refer to the table on page 13.
 ② SMD-40 Live Parts are not available separately.
 ③ To specify optional Loadbuster Tool attachment hook, add suffix "-LB" to catalog number; e.g., Catalog Number 192320-LB.
 ▲ Mounting includes 14.4-kV 110-kV BIL Cyproxy station post insulators.

■ These dimensions are for mountings with 110-kV BIL Cyproxy station post insulators. Deduct 2 1/2 inches (64 mm) for mountings furnished with 95-kV BIL porcelain station post insulators; i.e., Catalog Number 192320-SP. Leakage distance to ground is 10 1/2 inches (267 mm) for mounting with porcelain station post insulators.

**SM-4● Power Fuse
Disconnect, 180° Opening, Vertical Style**



● SM-4 Mountings in the Disconnect 180° Opening Vertical Style can be equipped with attachment hook to accommodate Loadbuster. Specify by adding suffix “-LB” to catalog number of mounting.

Rating			Catalog Number				Dimensions in Inches (mm)										Net Weight, Lbs. (Kg.)		
kV			Amps. Max	Mounting ^{①②}		Holder ^③	A ₁	A ₂	B	C	F	M ₁	M ₂	R	X	Cypoxy Station Post Insulators	Porcelain Station Post Insulators	Holder	
Nom.	Max	BIL		Cyposy Station Post Insulators	Porcelain Station Post Insulators														
7.2	8.3	95	200E	190501R1-E■	190501R1	86051	12 $\frac{3}{8}$ † (314)	13 $\frac{1}{2}$ † (343)	10‡ (254)	24 (610)	12 $\frac{1}{2}$ (318)	30 $\frac{3}{8}$ † (772)	15 $\frac{1}{2}$ (394)	20 $\frac{3}{4}$ † (527)	5 $\frac{3}{4}$ (146)	50 (23)	57 (26)	8.0 (3.6)	
14.4	17.0	110	200E	190502R1-E	190502R1	86052	12 $\frac{3}{8}$ § (314)	13 $\frac{1}{2}$ (343)	10 (254)	28 (711)	16 $\frac{1}{2}$ (419)	34 $\frac{3}{8}$ (873)	19 $\frac{1}{2}$ (495)	20 $\frac{3}{4}$ § (527)	5 $\frac{3}{4}$ (146)	56 (25)	70 (32)	9.0 (4.1)	
25	27	150	200E	190503R1-E	190503R1	86053	16 $\frac{3}{8}$ § (416)	17 $\frac{1}{2}$ (445)	14 (356)	32 (813)	20 $\frac{3}{4}$ (527)	42 $\frac{5}{8}$ (1083)	23 $\frac{3}{4}$ (603)	24 $\frac{3}{4}$ § (629)	5 $\frac{5}{8}$ (143)	72 (33)	99 (45)	10.3 (4.6)	
34.5	38	150	200E	—	190054	86054	16 $\frac{3}{8}$ § (416)	17 $\frac{1}{2}$ (445)	14 (356)	40 (1016)	28 (711)	49 $\frac{7}{8}$ (1267)	31 (787)	24 $\frac{3}{4}$ § (629)	6 (152)	—	105 (48)	14.3 (6.5)	
34.5	38	200	200E	190504R1-E	190504R1	86054	20 $\frac{3}{8}$ § (518)	21 $\frac{1}{2}$ (546)	18 (458)	40 (1016)	28 (711)	53 $\frac{7}{8}$ (1368)	31 (787)	28 $\frac{3}{4}$ § (730)	6 (152)	90 (41)	128 (58)	14.3 (6.5)	

① Mounting includes live parts, less holder. For live parts furnished separately, refer to the table on page 16.

② For available connectors, refer to the table on page 14.

③ Holder does not carry snuffler or silencer.

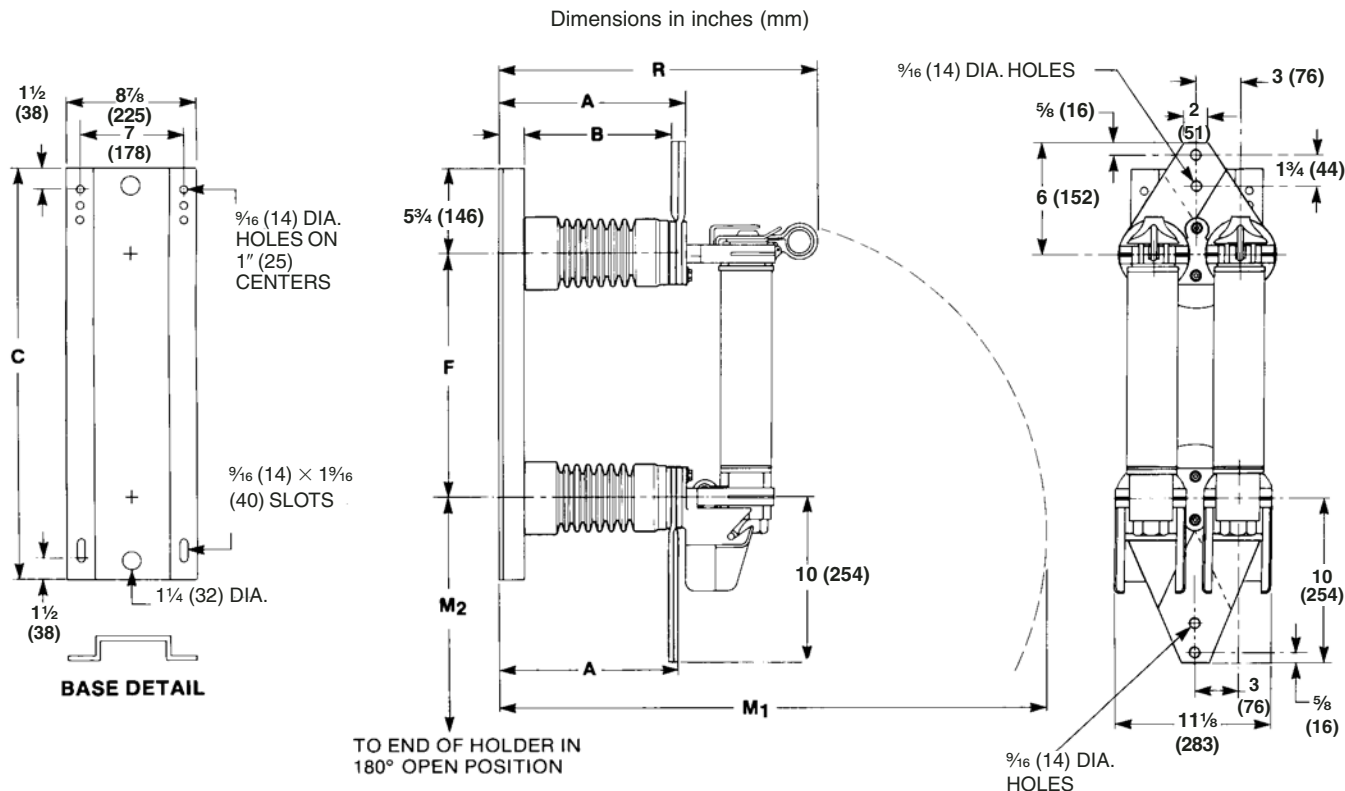
■ Mounting includes 14.4-kV, 110-kV BIL Cypoxy station post insulators.

† Mounting includes 14.4-kV BIL Cypoxy station post insulators.

‡ Deduct 2 inches (51 mm) from dimension of mountings equipped with porcelain station post insulators.

§ Add $\frac{1}{2}$ inch (13 mm) to dimension of mountings equipped with porcelain station post insulators.

**SM-5 Power Fuse
Disconnect, 180° Opening—Vertical Style**



Rating				Catalog Number			Dimensions in Inches (mm)							Net Weight, Lbs. (Kg.)		
kV			Amps, Max	Mounting ^{①②}		Holder ^③	A	B	C	F	M ₁	M ₂	R	Cyposy Station Post Insulators	Porcelain Station Post Insulators	Holder
Nom.	Max	BIL		Cyposy Station Post Insulators	Porcelain Station Post Insulators											
7.2	8.3	95	720E	190561R3-E ■	190561R3	86151R2★	12 1/2 ‡ (318)	10 ‡ (254)	24 (610)	12 1/2 (318)	34 ‡ (864)	20 1/4 (514)	22 3/8 ‡ (568)	84 (38)	91 (41)	21.0 (9.5)
14.4	17.0	110	720E	190562R3-E	190562R3	86152R2★	12 1/2 (318)	10 (254)	28 (711)	16 1/2 (419)	38 (965)	24 1/4 (616)	22 3/8 (568)	90 (41)	104 (47)	23.3 (10.5)

① Mounting includes live parts, less holder. For live parts furnished separately, refer to the table on page 16.

② For available connectors, refer to the table on page 14.

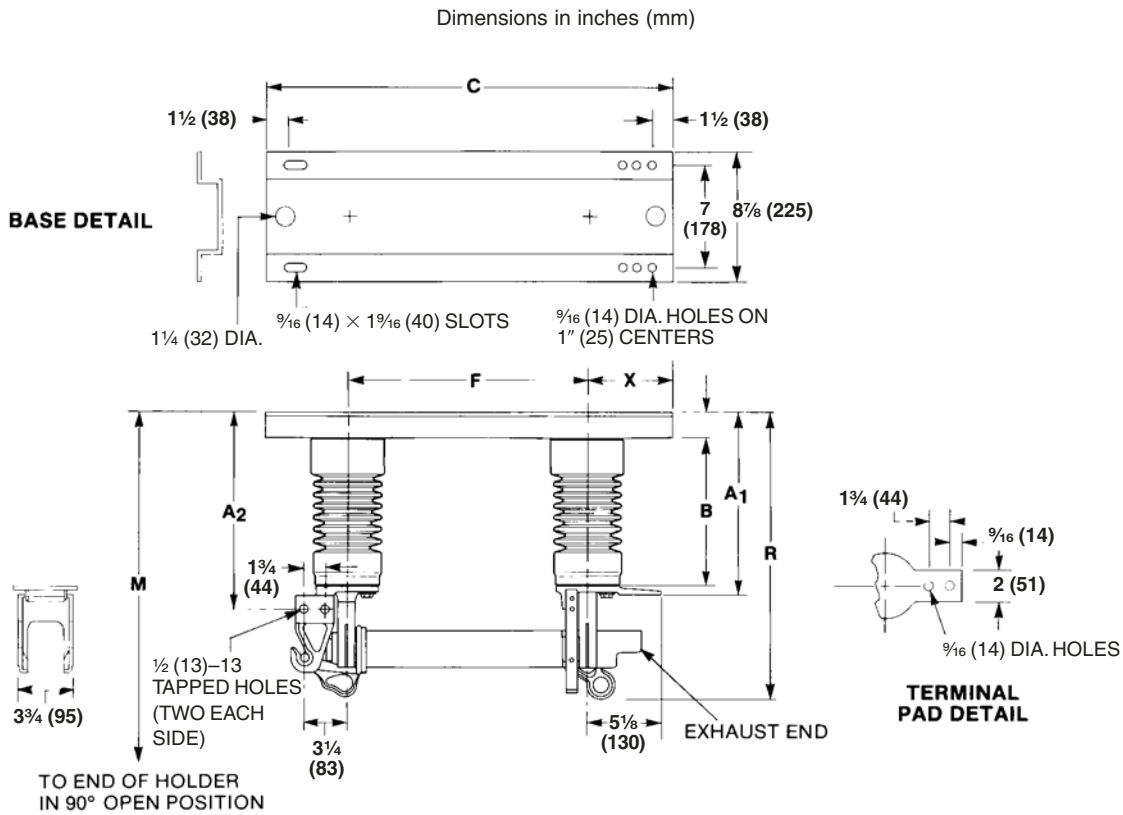
③ Holder does not carry snuffler or silencer.

■ Mounting includes 14.4-kV, 110-kV BIL Cyposy station post insulators.

★ Two holders required with each mounting.

‡ Deduct 2 1/2 inches (64 mm) from dimension of mountings equipped with porcelain station post insulators.

SM-5 Power Fuse
Disconnect, 90° Opening, Inverted Style



Rating				Catalog Number			Dimensions in Inches (mm)										Net Weight, Lbs. (Kg.)		
kV			Amps, Max	Mounting ^{①②}		Holder ^③	A ₁	A ₂	B	C	F	M	R	X	Cyproxy Station Post Insulators	Porcelain Station Post Insulators	Holder		
Nom.	Max	BIL		Cyproxy Station Post Insulators	Porcelain Station Post Insulators														
7.2	8.3	95	400E	190801R2-E■	190801R2	86191R2	12 3/8 ‡ (314)	13 1/2 ‡ (343)	10 ‡ (254)	24 (610)	12 1/2 (318)	39 3/8 ‡ (1000)	20 7/8 ‡ (530)	5 3/4 (146)	53 (24)	60 (27)	23.5 (10.7)		
14.4	17.0	110	400E	190802R2-E	190802R2	86192R2	12 3/8 (314)	13 1/2 (343)	10 (254)	28 (711)	16 1/2 (419)	43 3/8 (1102)	20 7/8 (530)	5 3/4 (146)	59 (27)	73 (33)	25.8 (11.7)		
25	27	150	300E	190803R2-E	190803R2	86193R2	16 3/8 (416)	17 1/2 (445)	14 (356)	32 (813)	20 3/4 (527)	51 5/8 (1311)	24 7/8 (632)	5 5/8 (143)	75 (34)	102 (46)	28.3 (12.8)		
34.5	38	150	300E	—	190084	86194R2	16 3/8 (416)	17 1/2 (445)	14 (356)	40 (1016)	28 (711)	62 7/8 (1597)	24 7/8 (632)	6 (152)	—	108 (49)	34.3 (15.5)		
34.5	38	200	300E	190804R2-E	190804R2	86194R2	20 3/8 (518)	21 1/2 (546)	18 (458)	40 (1016)	28 (711)	62 7/8 (1597)	28 7/8 (733)	6 (152)	93 (42)	131 (59)	34.3 (15.5)		

① Mounting includes live parts, less holder. For live parts furnished separately, refer to the table on page 16.

② For available connectors, refer to the table on page 14.

③ Holder does not carry snuffler or silencer.

■ Mounting includes 14.4-kV, 110-kV BIL Cyproxy station post insulators.

‡ Deduct 2 inches (51 mm) from dimension of mountings equipped with porcelain station post insulators.

