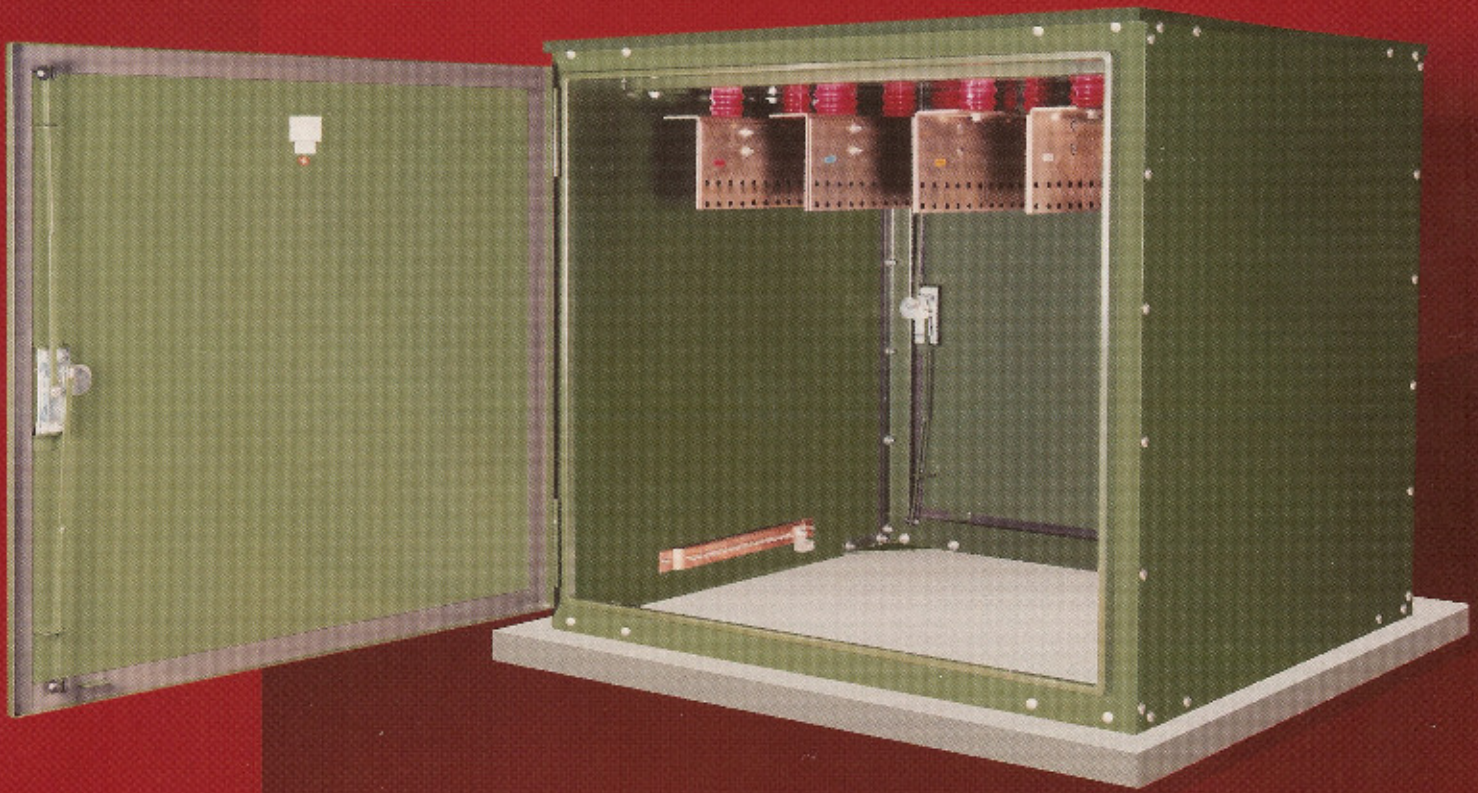


PARK

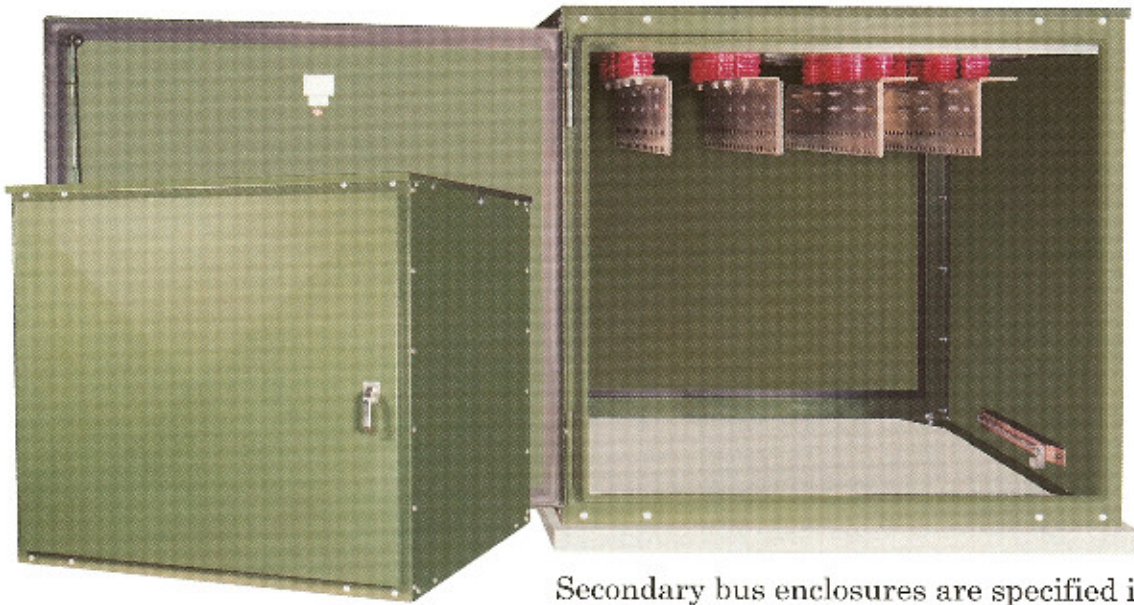
POWER DISTRIBUTION SYSTEMS



600 VOLT

SECONDARY BUS ENCLOSURES

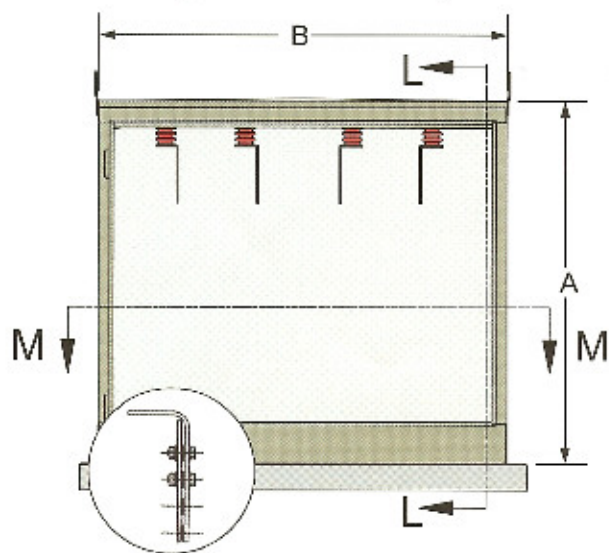
Your Primary Source **...for Secondary Bus Enclosures**



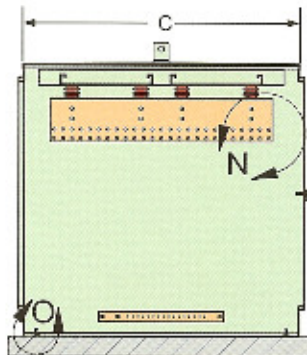
Secondary bus enclosures are specified increasingly by more engineers as they seek to provide for future plant expansions and accommodate the need for additional, secondary transformer taps as load requirements grow. Park secondary bus enclosures will enable your facility to add many more service taps without costly modifications to existing transformer equipment, or perhaps, even complete replacement.

Park secondary enclosures are rated at 600 volts, with units available in current ranges from 2000 to 7500 amps. The bus bar is a high conductivity copper, and punched for 2-hole NEMA spades, with capacities up to 28 services taps.

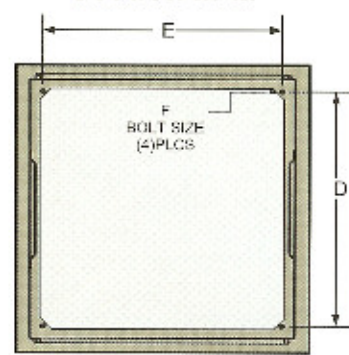
Single Bus Style



Section L-L



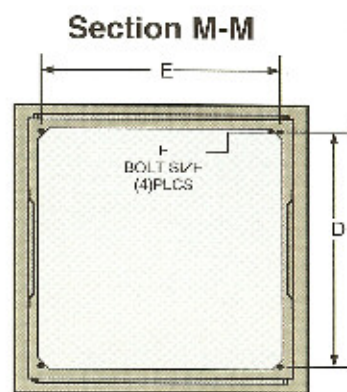
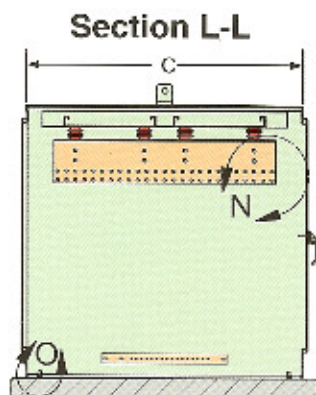
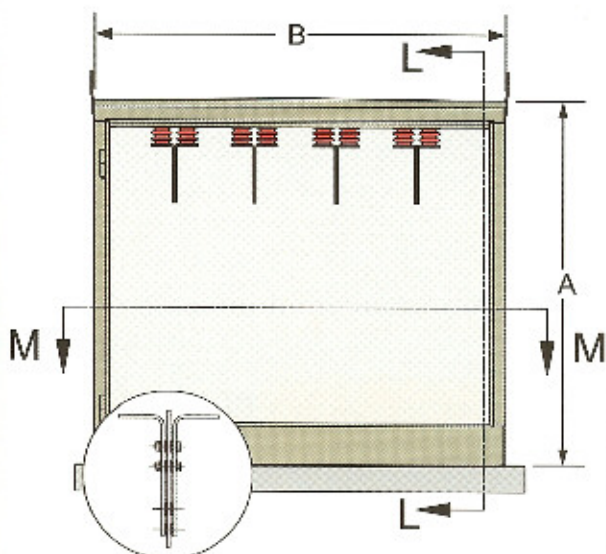
Section M-M



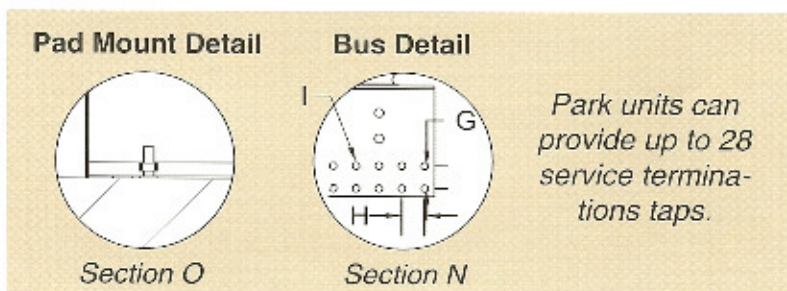
600 VOLTS		DIMENSIONS (INCHES)									ORDER NUMBER
AMPS	BUS SIZE	A	B	C	D	E	F	G	H	I	
2000-2300	(1) 1/4 x 8	48	36	36	30.75	30.75	.50	1.75	1.75	16	PLSB-0600-DD 2300 MS
2400-2800	(1) 1/4 x 10	54	42	42	36.75	36.75	.50	1.75	1.75	20	PESB-0600-DD-2800-MS
2800-3400	(1) 1/4 x 12	54	48	48	42.75	42.75	.50	1.75	1.75	22	PESB-0600 DD 3400 MS

Specifications and Options

Multiple Bus Style



600 VOLTS		DIMENSIONS (INCHES)									ORDER NUMBER
AMPS	BUS SIZE	A	B	C	D	E	F	G	H	I	
3600-4500	(1) 1/4 x 12 & (1) 1/4 x 8	54	54	54	48.75	48.75	.50	1.75	1.75	24	PESB-0600-DD-4500-MS
4250-5300	(2) 1/4 x 12	54	66	66	60.75	60.75	.50	1.75	1.75	28	PESB-0600-DD-5300-MS
5000-6200	(2) 1/4 x 12 & (1) 1/4 x 10	54	66	66	60.75	60.75	.50	1.75	1.75	28	PESB-0600-DD-6200-MS
6000-7500	(2) 1/4 x 14 & (1) 1/4 x 12	54	66	66	60.75	60.75	.50	1.75	1.75	28	PESB-0600-DD-7500-MS



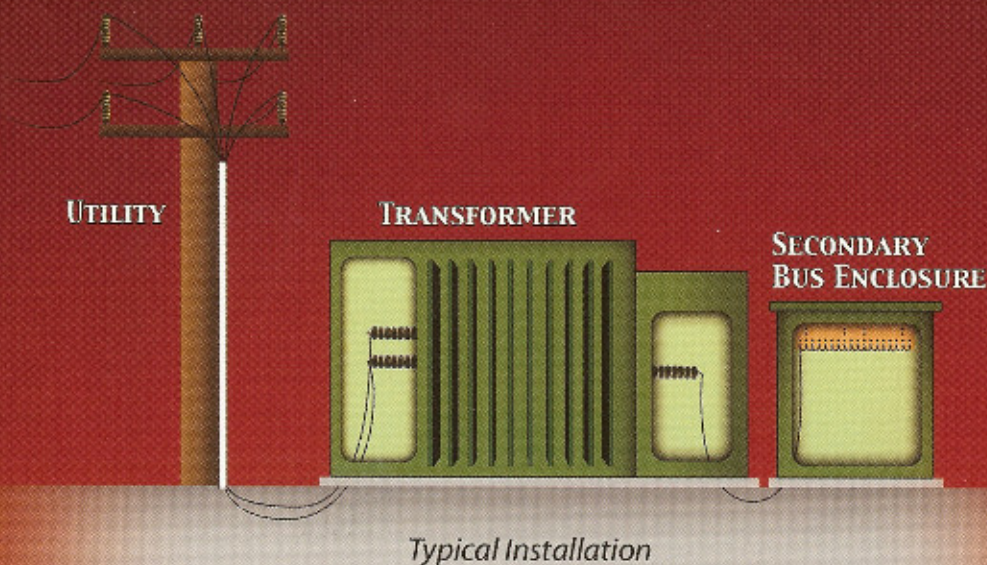
Features & Specifications

- Park enclosures are typically NEMA 3R outdoor construction. NEMA 4XSS styles can also be supplied.
- Non tapered full horizontal copper bus. Continuous copper ground bar. Full neutral throughout.
- 3 point latching door hardware with padlockable handle.
- Open bottom and bus arrangement provide easy access for cable connections; simplify installation, maintenance.
- Bus accepts NEMA spaced 2-hole and 4-hole lugs back-to-back.
- Heavy duty, bolted construction (11-gauge).
- Corrosion-free, nonferrous hardware.
- Front and rear doors provide easy access.
- Tamper-resistant, overlapping door and enclosure flanges.
- Removable lift attachments with tamper-resistant blind holes.
- Cross-kinked, pitched roof prevents moisture retention.

Optional Enclosure Construction

- 3/16" Aluminum (#5052H32)
- 12-gauge Stainless Steel (#304)

PARK PROVIDES POWER TO GROW



Transformers often have a limited number of taps and installation of a multi-connection junction enclosure can provide for the addition of many more taps, which allows for growth and eliminates the need for costly transformer modifications or possible replacement. Park enclosures are offered in a range of physical sizes, amp ratings and type of bus, depending on customer needs. Please consult our factory to discuss your specific requirements.



WWW.PARKDETROIT.COM
EMAIL: INFO@PARKDETROIT.COM
1-800-796-PARK

General Office: 19197 Sherwood Avenue • Detroit, Michigan 48234 • 313/366-2200 • Fax: 313/366-1540