

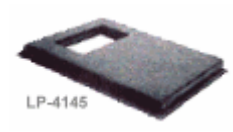
## Single Phase Composite Transformer Box Pads

- Single Phase Transformer Box Pads
- Three Phase Transformer Box Pads
- Hand Hole Splice Boxes
- Switchgear Pad-Vaults
- Sectionalizing Cabinet Bases
- Hill Holders

A complete line of box pads in various heights are available to accommodate 15KVA - 167KVA single phase transformers. With a cover, these box pads may be used as a below grade primary load break junction box or vault for looping cable if the transformer is not installed at the same time. They also serve as pad-vaults for several popular pad mounted switchgear.

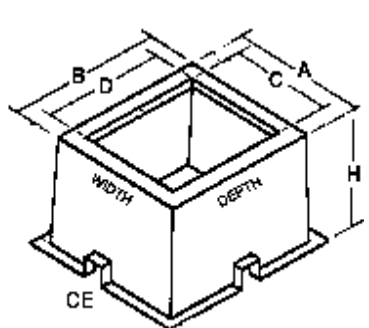


- Constructed from durable, non-conductive, corrosive resistant fiberglass reinforced polyester
- Ribbed for added strength and stability
- The intermediate height models are offered as alternatives between the standard thirty-two inch deep box pads and four inch ground level pads



The LP-4145 Transformer Pad (pictured left) is also available for ground level transformer pad mount for single phase transformers up to 167 kVA.

Key dimensions for the BP2000 Series and the LP-4145 are shown below.

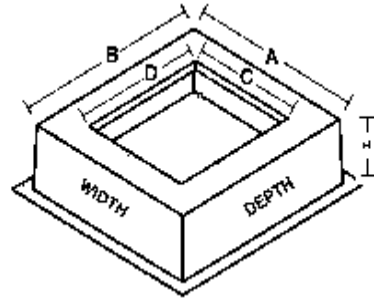


"CE" = cable entrance

| KEY DIMENSIONS (inches) |             |    |             |      |       |
|-------------------------|-------------|----|-------------|------|-------|
| BOX PAD CAT. NO.        | TOP SURFACE |    | TOP OPENING |      | HT. H |
|                         | A           | B  | C           | D    |       |
| BP2000                  | 37          | 43 | 26          | 31.5 | 32    |
| BP2000-24               | 37          | 43 | 26          | 31.5 | 24    |
| **BP2000-48             | 37          | 43 | 25          | 31   | 48    |
| BP2000A                 | 37          | 43 | 26          | 31.5 | 30    |
| BP2000A-1               | 37          | 43 | 26          | 29   | 30    |
| BP2000A-2               | 37          | 43 | 28          | 24   | 30    |
| BP2000E                 | 37.5        | 48 | 26          | 31.5 | 32    |
| BP2000F-1               | 37          | 43 | 22          | 24   | 32    |
| BP2000F1-24             | 37          | 43 | 22          | 24   | 24    |
| BP2000F-2               | 37          | 43 | 24          | 26   | 32    |
| BP2000G                 | 37          | 52 | 22          | 24   | 30    |
| BP2000G-24              | 37          | 52 | 22          | 24   | 24    |
| BP2000G-MTO-1           | 37          | 52 | 27          | 42   | 32    |
| BP2000G1-MTO-2          | 37          | 52 | 22          | 24   | 32    |
| BP2000H                 | 42          | 48 | 29          | 26   | 32    |
| BP2000H-1               | 42          | 48 | 26          | 22.5 | 32    |
| BP2000J1                | 37          | 43 | 21          | 12.5 | 32    |
| BP2000J1-24             | 37          | 43 | 21          | 12.5 | 24    |
| BP2000J2-24             | 37          | 43 | 26          | 12   | 24    |
| BP2000J-24              | 37.5        | 43 | 26          | 24   | 24    |
| BP2000J-24-CE           | 37          | 43 | 26          | 24   | 24    |
| BP2000J3                | 37          | 43 | 20          | 20   | 32    |
| BP2000J3-24             | 37          | 43 | 20          | 20   | 24    |
| *BP2000J3-24-CE         | 37          | 43 | 20          | 20   | 24    |
| BP2000J4-24             | 37          | 43 | 25          | 25   | 24    |
| BP2000P-30              | 36.5        | 46 | 22          | 24   | 30    |
| BP2000P-30-MTO-1        | 36.5        | 46 | 23          | 36   | 30    |
| BP2000P-30-MTO-2        | 36.5        | 46 | 26.5        | 36   | 30    |
| BP2000R                 | 42          | 43 | 22          | 20   | 30    |

\*BP2000J3-24-CE mounts by unistrut

\*\*2-pc. design



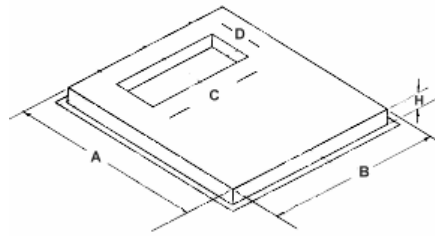
| BOX PAD<br>CAT. NO. | TOP SURFACE |    | TOP OPENING |      | HT.<br>H |
|---------------------|-------------|----|-------------|------|----------|
|                     | A           | B  | C           | D    |          |
| BP2000-15           | 37          | 43 | 26          | 31.5 | 15       |
| BP2000A-15          | 37          | 43 | 24          | 14   | 15       |
| BP2000A1-15         | 37          | 43 | 25          | 12   | 15       |
| BP2000A2-15         | 37          | 43 | 21          | 12   | 15       |
| BP2000D-15          | 48          | 48 | 30          | 30   | 15       |
| BP2000F1-16         | 37          | 43 | 22          | 24   | 16       |
| BP2000F1-20         | 37          | 43 | 22          | 24   | 20       |
| BP2000G-15          | 37          | 52 | 22          | 24   | 15       |
| BP2000H1-15         | 37          | 43 | 26          | 22.5 | 15       |
| BP2000J-15          | 37          | 43 | 26          | 24   | 15       |
| BP2000J3-15         | 37          | 43 | 20          | 20   | 15       |
| BP2000K-15          | 37          | 43 | 22          | 24   | 15       |
| BP2000L-15          | 40          | 52 | 26          | 18   | 15       |
| BP2000M-15          | 40          | 44 | 26          | 18   | 15       |
| BP2000M1-15         | 40          | 44 | 26          | 14   | 15       |
| BP2000N-15          | 40          | 43 | 26          | 30   | 15       |
| BP2000P-15          | 36.5        | 46 | 22          | 24   | 15       |
| BP2000Q-15          | 38          | 56 | 22          | 24   | 15       |
| BP2000V-15          | 37          | 37 | 21          | 12   | 15       |
| BP2000V1-15         | 37          | 37 | 22          | 16   | 15       |
| BP2000-18           | 42          | 42 | 25          | 25   | 18       |
| BP2000S-18          | 39          | 43 | 26          | 26   | 18       |
| BP2000T-18          | 25          | 40 | 16          | 12   | 18       |
| LP-4145             | 45          | 41 | 25          | 10   | 4        |

Click below to view our S&C Electric Cross Reference Guides:

VISTA

PMH

PME



Cat. No. LP-4145

**[Contact us](#) for data sheets with complete specifications and dimensions.**

[To Top](#)