

# CURRENT TRANSFORMERS

## SOLID CORE CURRENT TRANSFORMER

MODEL 2RL

### FEATURES

- UL Recognized
- Window I.D. - 1.05"
- Use with Ammeters

### 600V CLASS



MADE  
IN U.S.A.



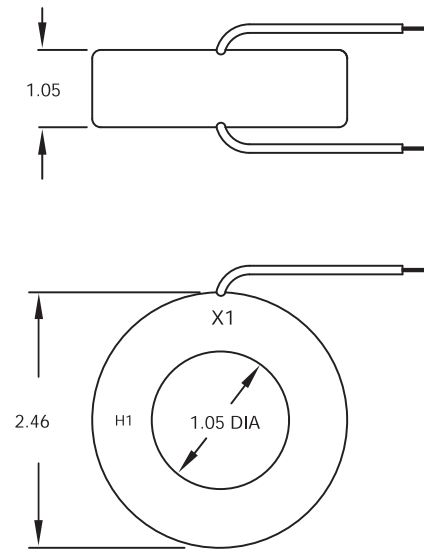
### SPECIFICATIONS

Frequency ..... 50-400Hz  
 Insulation Class ..... 0.6kV, 10kV BIL Full Wave  
 Flexible Leads .... UL1015, 105°C, CSA approved, 16 AWG, 24"  
 Weight ..... Approximately 0.5 Lb.

#### APPLICATION AND ORDERING DATA

CATALOG NUMBER	CURRENT RATIO	ACCURACY AT 60Hz	BURDEN VA AT 60Hz
2RL-500	50:5	±3%	2.0
2RL-600	60:5	±2%	2.0
2RL-750	75:5	±2%	2.0
2RL-800	80:5	±2%	2.0
2RL-101	100:5	±1%	2.0
2RL-121	120:5	±1%	2.5
2RL-1250	125:5	±1%	2.5
2RL-151	150:5	±1%	4.0
2RL-201	200:5	±1%	4.0
2RL-251	250:5	±1%	6.0
2RL-301	300:5	±1%	8.0
2RL-401	400:5	±1%	10.0

### DIMENSIONS



All Dimensions In Inches

## SOLID CORE CURRENT TRANSFORMER

MODEL 7RL

### FEATURES

- UL Recognized
- Window I.D. - 2.50"
- Use with Ammeters and Watt Meters

### 600V CLASS



MADE  
IN U.S.A.



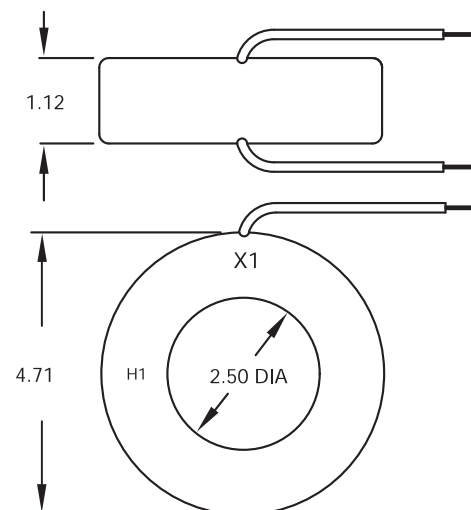
### SPECIFICATIONS

Frequency ..... 50-400Hz  
 Insulation Class ..... 0.6kV, 10kV BIL Full Wave  
 Flexible Leads .... UL1015, 105°C, CSA approved, 16 AWG, 24"  
 Weight ..... Approximately 1.5 Lbs.

#### APPLICATION AND ORDERING DATA

CATALOG NUMBER	CURRENT RATIO	ACCURACY AT 60Hz	BURDEN VA AT 60Hz
7RL-301	300:5	±1%	12.5
7RL-401	400:5	±1%	15.0
7RL-501	500:5	±1%	25.0
7RL-601	600:5	±1%	30.0
7RL-751	750:5	±1%	30.0
7RL-801	800:5	±1%	35.0
7RL-102	1000:5	±1%	35.0
7RL-122	1200:5	±1%	35.0
7RL-152	1500:5	±1%	40.0
7RL-162	1600:5	±1%	45.0

### DIMENSIONS



All Dimensions In Inches

**FLEX-CORE®**

Div. Morlan & Associates, Inc.  
 4970 Scioto Darby Rd. Hilliard, Ohio 43026

WWW.FLEX-CORE.COM  
 sales@flex-core.com

PHONE (614) 889-6152  
 TECH. ASSISTANCE (614) 876-8308  
 FAX # (614) 876-8538

# CURRENT TRANSFORMERS

## SOLID CORE CURRENT TRANSFORMER

### MODEL 2SFT

#### FEATURES

- UL Recognized
- Window I.D. - 1.13"
- Use with Ammeters

#### SPECIFICATIONS

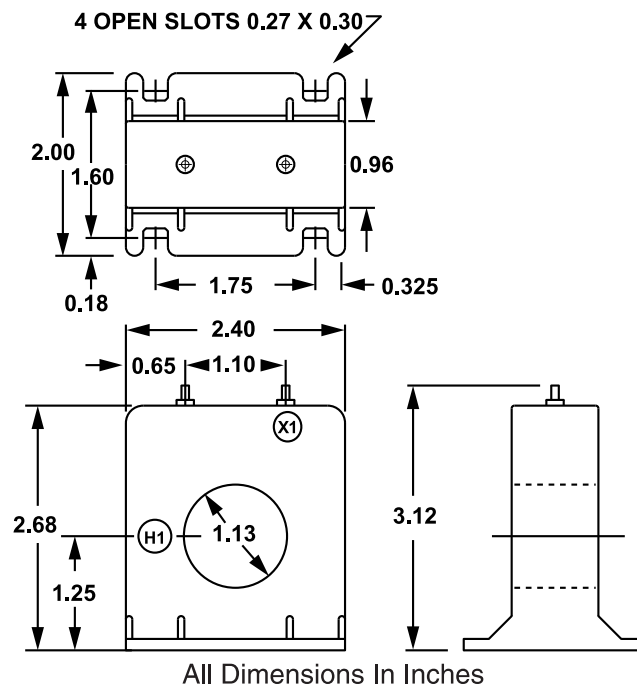
Frequency ..... 50-400Hz  
 Insulation Class ..... 0.6kV, 10kV BIL Full Wave  
 Rating Factor ..... 1.0@30°C  
 Weight ..... Approximately 0.5 Lb.  
 Terminals ..... Brass Studs No. 8-32 UNC  
 with one flat washer, lock washer and regular nut.

APPLICATION AND ORDERING DATA			
CATALOG NUMBER	CURRENT RATIO	ACCURACY AT 60 Hz	BURDEN VA AT 60 Hz
2SFT-500	50:5	± 3%	2.0
2SFT-600	60:5	± 2%	2.0
2SFT-750	75:5	± 2%	2.0
2SFT-800	80:5	± 2%	2.0
2SFT-101	100:5	± 1%	2.0
2SFT-151	150:5	± 1%	4.0
2SFT-201	200:5	± 1%	4.0
2SFT-301	300:5	± 1%	8.0
2SFT-401	400:5	± 1%	10.0

#### 600V CLASS



#### MODEL 2SFT DIMENSIONS



# SOLID CORE CURRENT TRANSFORMER

### MODEL 5SFT

#### FEATURES

- UL Recognized
- Window I.D. - 1.56"
- Use with Ammeters, Watt Meters and cross current compensation

#### SPECIFICATIONS

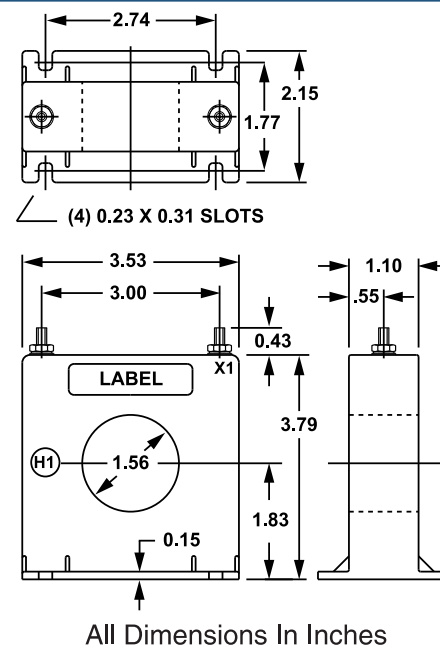
Frequency ..... 50-400Hz  
 Insulation Class ..... 0.6kV, 10kV BIL Full Wave  
 Weight ..... Approximately 1.0 Lb.  
 Terminals ..... Brass Studs No. 8-32 UNC  
 with one flat washer, lock washer and regular nut.

APPLICATION AND ORDERING DATA			
CATALOG NUMBER	CURRENT RATIO	ACCURACY AT 60 Hz	BURDEN VA AT 60 Hz
5SFT-101	100:5	± 1%	2.0
5SFT-151	150:5	± 1%	5.0
5SFT-201	200:5	± 1%	5.0
5SFT-251	250:5	± 1%	10.0
5SFT-301	300:5	± 1%	12.5
5SFT-401	400:5	± 1%	12.5
5SFT-501	500:5	± 1%	20.0
5SFT-601	600:5	± 1%	25.0

#### 600V CLASS



#### MODEL 5SFT DIMENSIONS



**FLEX-CORE®**  
 Div. Morlan & Associates, Inc.  
 4970 Scioto Darby Rd. Hilliard, Ohio 43026

WWW.FLEX-CORE.COM  
 sales@flex-core.com

PHONE (614) 889-6152  
 TECH. ASSISTANCE (614) 876-8308  
 FAX # (614) 876-8538

# CURRENT TRANSFORMERS

## SOLID CORE CURRENT TRANSFORMER MODELS 58RBL, 7RBL, 76RBL

**600V CLASS**

### FEATURES

- Flexible leads are UL1015 105°C CSA approved.
- Mounting brackets installed.

### APPLICATIONS

- For use with Watt and Watt/Watt Hour transducers or meters.
- Ideal for use with Ammeters and Current Transducers.

### SPECIFICATIONS

Frequency..... 50 to 400Hz  
 Insulation Class .....0.6kV, 10kV BIL Full Wave  
 Leads..... UL1015 105°C CSA approved, 16 AWG, 24"

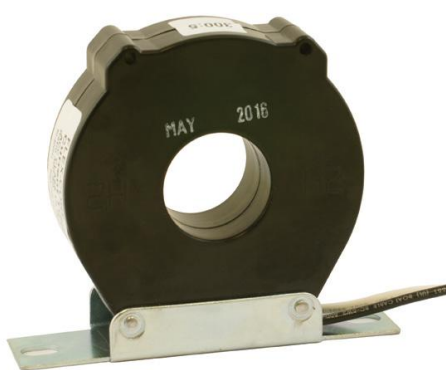
 238872  245941

All models on this page UL recognized

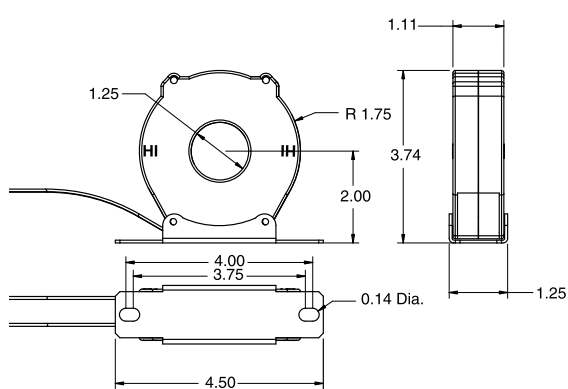


**MADE IN U.S.A.**

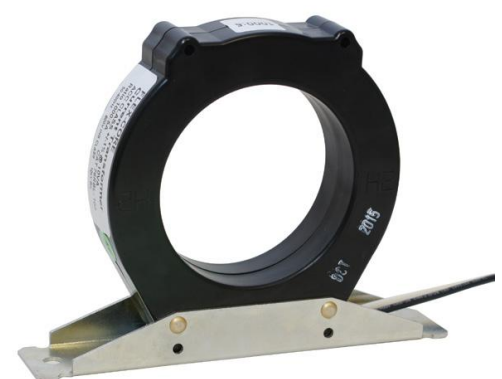
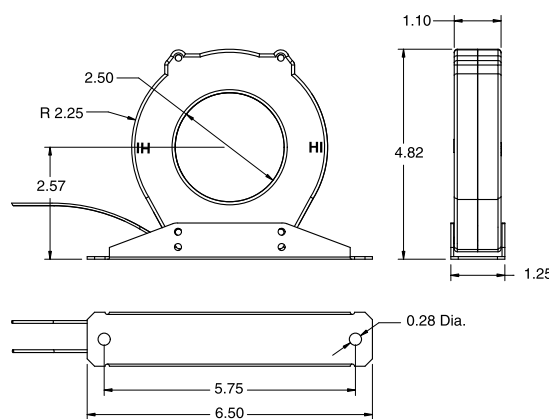
CATALOG NUMBER	CURRENT RATIO	ACCURACY AT 60Hz (%)	BURDEN AT 60Hz (VA)	WT. (LBS)	CONTINUOUS RATING FACTOR @ 30°C
58RBL-500	50:5	3.0	1.5	1.22	2.00
58RBL-101	100:5	1.5	5.0	1.28	2.00
58RBL-151	150:5	1.0	7.5	1.35	1.50
58RBL-201	200:5	1.0	12.5	1.37	1.50
58RBL-251	250:5	1.0	12.5	1.39	2.00
58RBL-301	300:5	1.0	15.0	1.41	2.00
7RBL-401	400:5	1.0	15.0	1.47	2.00
7RBL-501	500:5	1.0	25.0	1.53	2.00
7RBL-601	600:5	1.0	30.0	1.59	1.50
7RBL-801	800:5	1.0	35.0	1.61	1.33
76RBL-102	1000:5	1.0	10.0	0.65	1.00
76RBL-122	1200:5	1.0	10.0	0.73	1.00
76RBL-152	1500:5	1.0	12.5	0.86	1.00
76RBL-202	2000:5	1.0	15.0	1.10	1.00



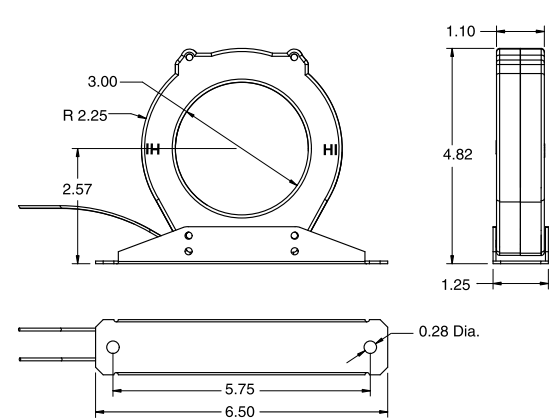
**MODEL 58RBL**



**MODEL 7RBL**



**MODEL 76RBL**



All Dimensions In Inches

**FLEX-CORE®**  
 Div. Morlan & Associates, Inc.  
 4970 Scioto Darby Rd. Hilliard, Ohio 43026

[WWW.FLEX-CORE.COM](http://WWW.FLEX-CORE.COM)  
 sales@flex-core.com

**PHONE** (614) 889-6152  
**TECH. ASSISTANCE** (614) 876-8308  
**FAX #** (614) 876-8538

# CURRENT TRANSFORMERS

## METERING CLASS CURRENT TRANSFORMER

MODEL 2DARL

### FEATURES

- Revenue Metering Applications
- UL Recognized
- Window I.D. - 1.00"
- For use with long runs of secondary wiring

600V CLASS



MADE IN U.S.A.



### SPECIFICATIONS

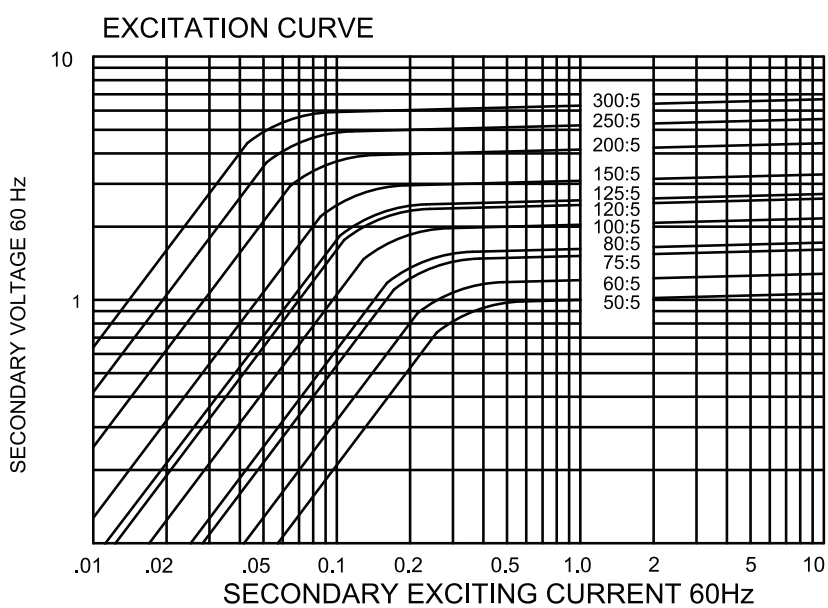
Frequency ..... 50-400Hz  
 Insulation class ..... 0.6kV, 10kV BIL Full Wave  
 Leads ..... 16 AWG, 24" long, UL105°C  
 Weight ..... Approximately 0.9 Lb.  
 Rating Factor ..... 50:5-150:5 ..... 2.0 @ 30°C  
 200:5-300:5 ..... 1.5 @ 30°C

Manufactured to meet the requirements of ANSI/IEEE C57.13

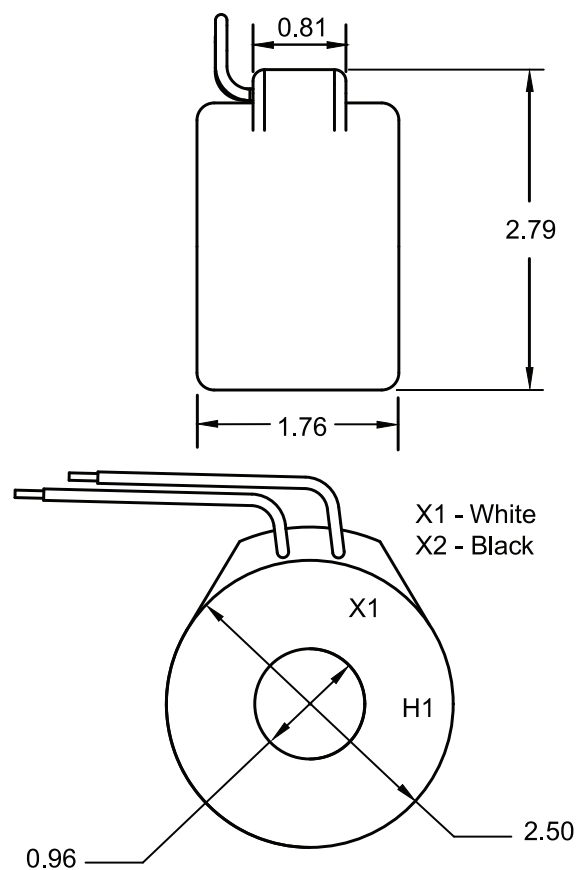
#### APPLICATION AND ORDERING DATA

CATALOG NUMBER	CURRENT RATIO	V.A. FOR ±1% CLASS	ANSI METERING CLASS AT 60Hz			SECONDARY WINDING RESISTANCE (Ω@75°C)
			B0.1	B0.2	B0.5	
2DARL-500	50:5	2.5	4.8	-	-	0.008
2DARL-600	60:5	2.5	1.2	4.8	-	0.011
2DARL-750	75:5	3.5	1.2	2.4	-	0.015
2DARL-800	80:5	4.0	1.2	2.4	4.8	0.016
2DARL-101	100:5	5.0	1.2	2.4	4.8	0.018
2DARL-121	120:5	5.0	1.2	2.4	2.4	0.022
2DARL-1250	125:5	5.0	0.6	1.2	2.4	0.028
2DARL-151	150:5	10.0	0.6	0.6	1.2	0.031
2DARL-201	200:5	12.5	0.3	0.3	1.2	0.047
2DARL-251	250:5	15.0	0.3	0.3	0.6	0.074
2DARL-301	300:5	20.0	0.3	0.3	0.6	0.089

### EXCITATION CURVE



### DIMENSIONS



All Dimensions In Inches

**FLEX-CORE®**

Div. Morlan & Associates, Inc.  
 4970 Scioto Darby Rd. Hilliard, Ohio 43026

WWW.FLEX-CORE.COM

sales@flex-core.com

PHONE (614) 889-6152

TECH. ASSISTANCE (614) 876-8308

FAX # (614) 876-8538

# CURRENT TRANSFORMERS

## METERING CLASS CURRENT TRANSFORMER

MODEL 5ARL

### FEATURES

- Revenue Metering Applications
- Ammeters and Watt Meters
- UL Recognized
- Window I.D. - 1.56"

### 600V CLASS

UL<sup>®</sup> US E238872     245941



MADE  
IN U.S.A.



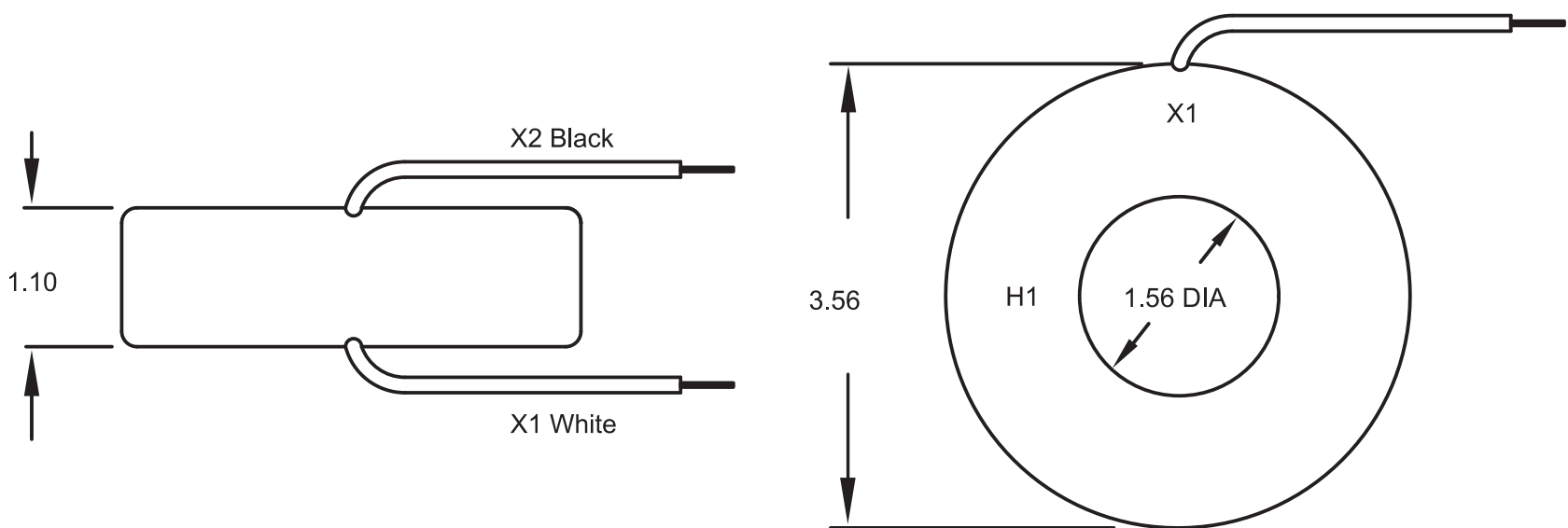
### SPECIFICATIONS

Frequency ..... 50-400Hz  
 Insulation class ..... 0.6kV, 10kV BIL Full Wave  
 Leads ..... 16 AWG, 24" long, UL105°C  
 Weight ..... Approximately 1 Lb.  
 Manufactured to meet the requirements of ANSI/IEEE C57.13

### APPLICATION AND ORDERING DATA

CATALOG NUMBER	CURRENT RATIO	V.A. FOR ± 1% CLASS	ANSI METERING CLASS AT 60 Hz					SECONDARY WINDING RESISTANCE (Ω @ 75°C)	CONTINUOUS THERMAL RATING FACTOR	
			B0.1	B0.2	B0.5	B0.9	B1.8		@30°C	@55°C
5ARL-101	100:5	1.0	1.2	2.4	-	-	-	0.012	2.0	2.0
5ARL-151	150:5	5.0	0.6	1.2	2.4	4.8	-	0.019	2.0	2.0
5ARL-201	200:5	5.0	0.6	0.6	1.2	2.4	4.8	0.024	2.0	2.0
5ARL-251	250:5	12.5	0.6	0.6	1.2	2.4	2.4	0.033	2.0	1.5
5ARL-301	300:5	15.0	0.3	0.3	0.6	1.2	2.4	0.040	2.0	1.5
5ARL-401	400:5	20.0	0.3	0.3	0.6	1.2	1.2	0.091	1.5	1.0
5ARL-501	500:5	25.0	0.3	0.3	0.6	0.6	1.2	0.105	1.33	0.8
5ARL-601	600:5	30.0	0.3	0.3	0.6	0.6	1.2	0.158	1.0	0.8

### DIMENSIONS



All Dimensions In Inches

**FLEX-CORE<sup>®</sup>**  
 Div. Morlan & Associates, Inc.  
 4970 Scioto Darby Rd. Hilliard, Ohio 43026

WWW.FLEX-CORE.COM  
 sales@flex-core.com

PHONE (614) 889-6152  
 TECH. ASSISTANCE (614) 876-8308  
 FAX # (614) 876-8538

# CURRENT TRANSFORMERS

## METERING CLASS CURRENT TRANSFORMER

## MODEL 60RBT

### FEATURES

- UL Recognized
- Window I.D. - 0.94"
- Metering Applications
- For use with long runs of secondary wiring



### 600V CLASS



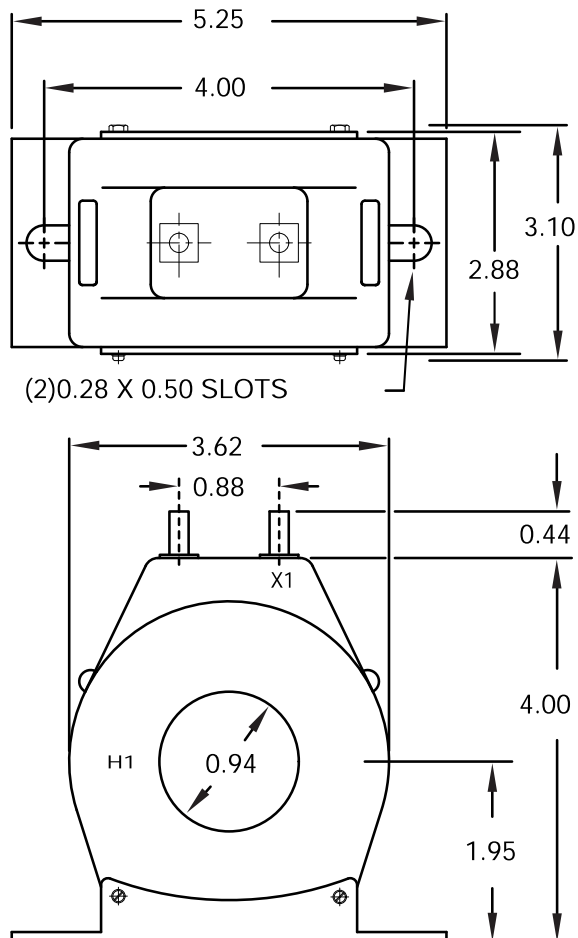
### SPECIFICATIONS

Frequency ..... 50-400Hz  
 Insulation Class ..... 0.6kV, 10kV BIL Full Wave  
 Terminals ..... Brass Studs No. 8-32 UNC  
 with one flat washer, lock washer and regular nut.  
 Weight ..... Approximately 5.25 Lbs.  
 Manufactured to meet the requirements of ANSI/IEEE C57.13

### APPLICATION AND ORDERING DATA

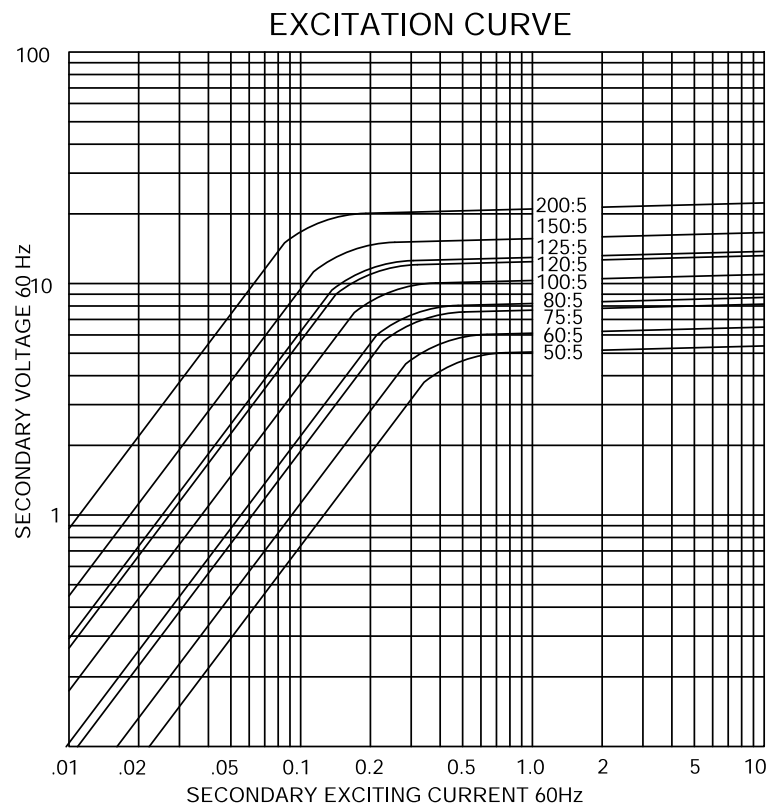
CATALOG NUMBER	CURRENT RATIO	VA FOR ± 6% CLASS	VA FOR ± 3% CLASS	ANSI METERING CLASS AT 60Hz					SECONDARY WINDING RESISTANCE (Ω @ 60Hz)	CONTINUOUS THERMAL RATING FACTOR	
				B0.1	B0.2	B0.5	B0.9	B1.8		@30°C	@55°C
60RBT-500	50:5	10.0	2.5	1.2	4.8	-	-	-	0.018	2.0	2.0
60RBT-600	60:5	15.0	3.0	1.2	2.4	-	-	-	0.021	2.0	2.0
60RBT-750	75:5	-	10.0	0.6	1.2	4.8	-	-	0.027	2.0	2.0
60RBT-800	80:5	-	15.0	0.6	1.2	2.4	4.8	-	0.028	2.0	2.0
60RBT-101	100:5	-	7.5±1%	0.6	0.6	2.4	4.8	4.8	0.037	2.0	2.0
60RBT-121	120:5	-	12.5±1%	0.6	0.6	1.2	2.4	4.8	0.043	2.0	2.0
60RBT-1250	125:5	-	15.0±1%	0.6	0.6	1.2	2.4	4.8	0.044	2.0	2.0
60RBT-151	150:5	-	20.0±1%	0.3	0.3	0.6	1.2	2.4	0.055	2.0	1.5
60RBT-201	200:5	-	25.0±1%	0.3	0.3	0.3	0.6	1.2	0.073	2.0	1.5

### DIMENSIONS



All Dimensions In Inches

### EXCITATION CURVE



**FLEX-CORE®**

Div. Morlan & Associates, Inc.  
 4970 Scioto Darby Rd. Hilliard, Ohio 43026

WWW.FLEX-CORE.COM

sales@flex-core.com

PHONE (614) 889-6152

TECH. ASSISTANCE (614) 876-8308

FAX # (614) 876-8538

# CURRENT TRANSFORMERS

## METERING CLASS CURRENT TRANSFORMER

MODEL 180RL

### FEATURES

- Revenue Metering Applications
- UL Recognized
- Window I.D. - 2.50"
- For use with long runs of secondary wiring

### 600V CLASS



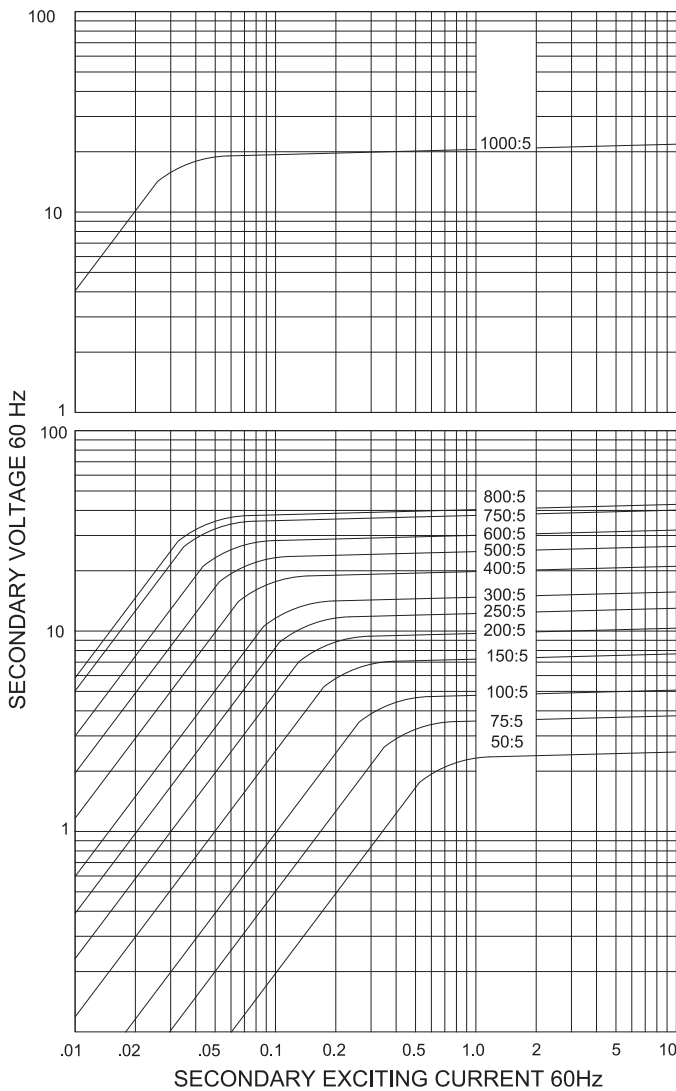
### SPECIFICATIONS

Frequency ..... 50-400Hz  
 Insulation class ..... 0.6kV, BIL 10kV Full Wave  
 Leads ..... 16 AWG, 24" long, UL105°C  
 Weight ..... Approximately 3.5 Lbs.  
 \*Approved for Revenue Metering by Industry Canada T-189 (\*)  
 Manufactured to meet the requirements of ANSI/IEEE C57.13

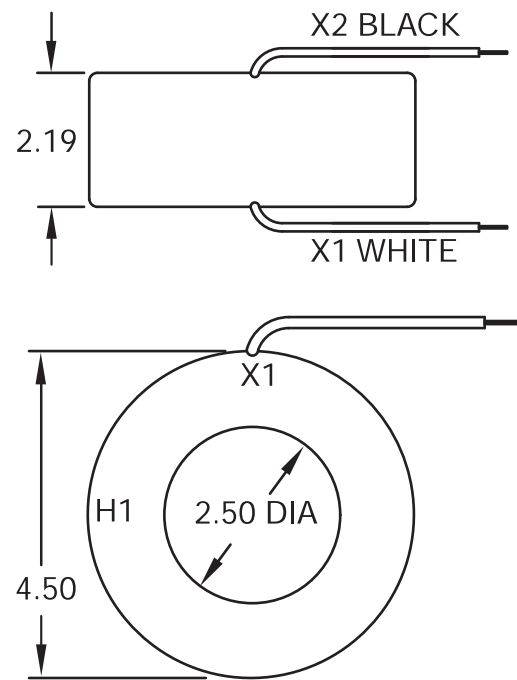
### APPLICATION AND ORDERING DATA

CATALOG NUMBER	CURRENT RATIO	V.A. FOR ± 1% CLASS	ANSI METERING CLASS AT 60Hz					SECONDARY WINDING RESISTANCE (Ω @ 75°C)	CONTINUOUS THERMAL RATING FACTOR	
			B0.1	B0.2	B0.5	B0.9	B1.8		@30°C	@55°C
180RL-500	50:5	1.5	2.4	-	-	-	-	0.009	1.33	1.0
180RL-101	100:5	2.5	1.2	2.4	4.8	-	-	0.021	1.33	1.0
180RL-151	150:5*	5.0	0.6	1.2	2.4	4.8	-	0.038	1.33	1.0
180RL-201	200:5*	12.5	0.6	0.6	1.2	2.4	-	0.051	1.33	1.0
180RL-251	250:5*	12.5	0.3	0.3	0.6	1.2	-	0.064	1.33	1.0
180RL-301	300:5*	25.0	0.3	0.3	0.6	1.2	2.4	0.076	1.33	1.0
180RL-401	400:5*	50.0	0.3	0.3	0.3	0.6	1.2	0.102	1.33	1.0
180RL-501	500:5*	50.0	0.3	0.3	0.3	0.6	1.2	0.148	1.33	1.0
180RL-601	600:5*	50.0	0.3	0.3	0.3	0.6	1.2	0.177	1.33	1.0
180RL-801	800:5*	75.0	0.3	0.3	0.3	0.6	1.2	0.202	1.33	1.0
180RL-102	1000:5*	100.0	0.3	0.3	0.3	0.3	0.6	0.253	1.33	1.0

### EXCITATION CURVE



### DIMENSIONS



All Dimensions In Inches

**FLEX-CORE®**  
 Div. Morlan & Associates, Inc.  
 4970 Scioto Darby Rd. Hilliard, Ohio 43026

WWW.FLEX-CORE.COM  
 sales@flex-core.com

PHONE (614) 889-6152  
 TECH. ASSISTANCE (614) 876-8308  
 FAX # (614) 876-8538

# CURRENT TRANSFORMERS

## METERING CLASS CURRENT TRANSFORMER

MODELS 19SHT, 19RL

### FEATURES

- Metering Applications
- UL Recognized
- Window I.D. - 4.25"

### 600V CLASS

### SPECIFICATIONS

Frequency ..... 50-400Hz  
 Insulation Class ..... 0.6kV, 10kV BIL Full Wave  
 Terminals ..... Brass Studs No. 8-32 UNC with one flat washer, lock washer and regular nut. (Model 19SHT)  
 Leads ..... 16 AWG, 24" long, UL105°C (Model 19RL)  
 Weight ..... Approximately 3 Lbs.  
 Optional Mounting Bracket (19SHT) ..... P/N 0221B00183  
 Optional Bus Bar Mounting Kit (19RL) ..... P/N 0221A26075  
 Manufactured to meet the requirements of ANSI/IEEE C57.13



19RL

19SHT

MADE IN U.S.A.



UL us E238872

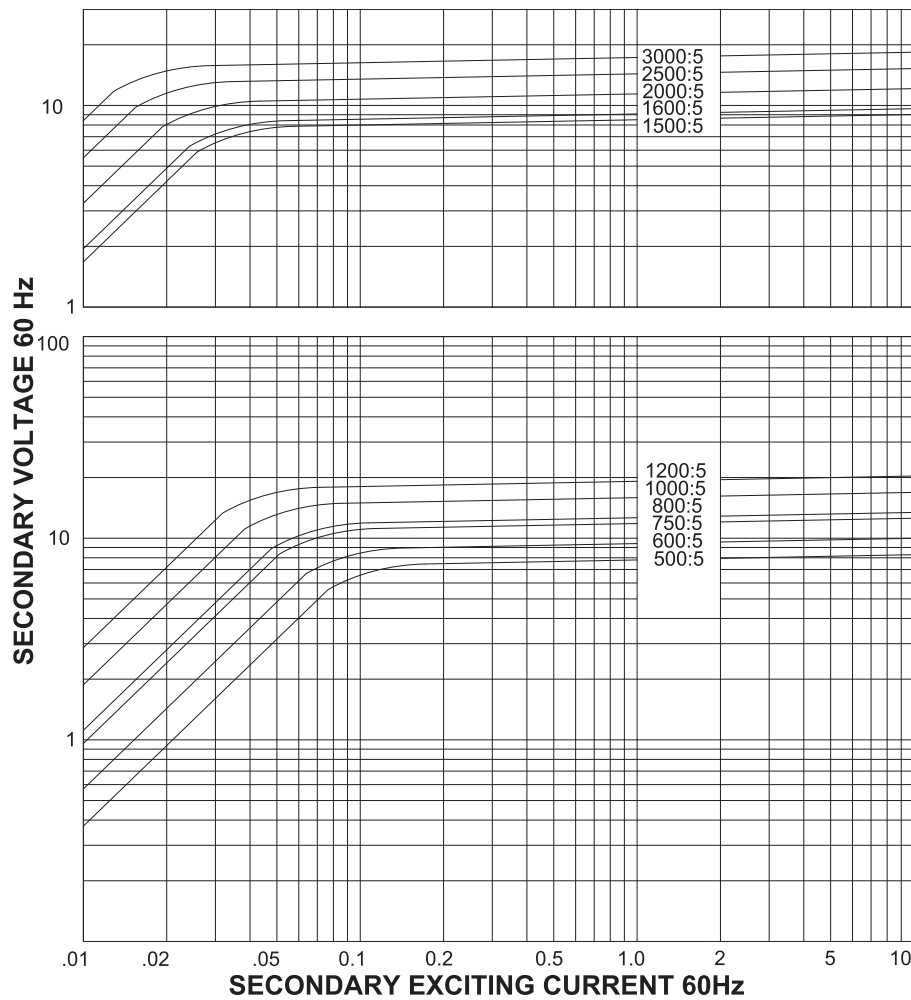


245941

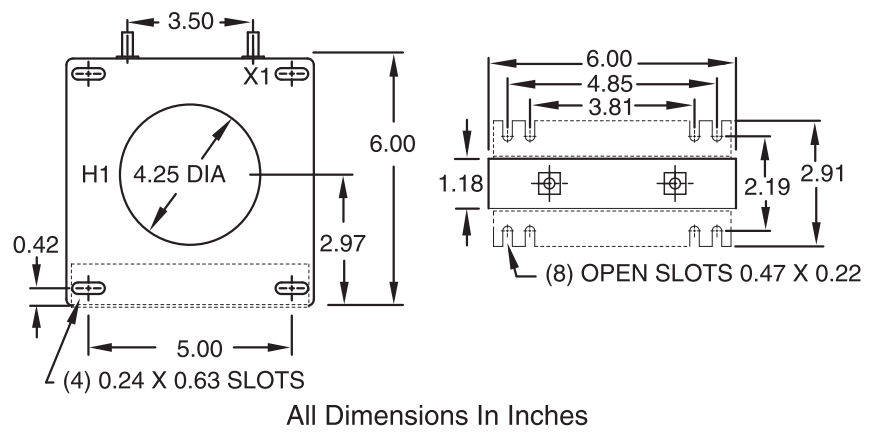
### APPLICATION AND ORDERING DATA

CATALOG NUMBER	CATALOG NUMBER	CURRENT RATIO	V.A. FOR ± 1% CLASS	ANSI METERING CLASS AT 60Hz				SECONDARY WINDING RESISTANCE (Ω @ 75°C)	CONTINUOUS THERMAL RATING FACTOR	
				B0.1	B0.2	B0.5	B0.9		@30°C	@55°C
19SHT-501	19RL-501	500:5	15.0	0.3	0.6	1.2	--	0.087	2.0	1.5
19SHT-601	19RL-601	600:5	15.0	0.3	0.3	0.6	1.2	0.116	2.0	1.5
19SHT-801	19RL-801	800:5	30.0	0.3	0.3	0.6	0.6	0.155	1.5	1.33
19SHT-102	19RL-102	1000:5	30.0	0.3	0.3	0.6	0.6	0.242	1.33	1.0
19SHT-122	19RL-122	1200:5	40.0	0.3	0.3	0.3	0.6	0.291	1.33	1.0
19SHT-152	19RL-152	1500:5	15.0	0.3	0.3	0.6	1.2	0.200	1.5	1.0
19SHT-162	19RL-162	1600:5	15.0	0.3	0.3	0.3	0.6	0.213	1.5	1.0
19SHT-202	19RL-202	2000:5	20.0	0.3	0.3	0.3	0.6	0.266	1.33	1.0
19SHT-252	19RL-252	2500:5	20.0	0.3	0.3	0.3	0.3	0.333	1.0	0.8
19SHT-302	19RL-302	3000:5	25.0	0.3	0.3	0.3	0.3	0.399	1.0	0.8

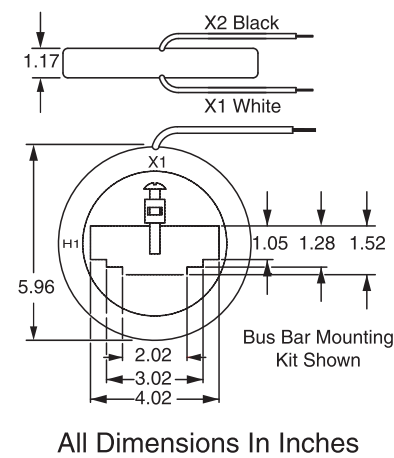
### EXCITATION CURVE



### MODEL 19SHT DIMENSIONS



### MODEL 19RL DIMENSIONS



**FLEX-CORE®**

Div. Morlan & Associates, Inc.  
 4970 Scioto Darby Rd. Hilliard, Ohio 43026

WWW.FLEX-CORE.COM

sales@flex-core.com

PHONE (614) 889-6152

TECH. ASSISTANCE (614) 876-8308

FAX # (614) 876-8538



# CURRENT TRANSFORMERS

## METERING CLASS CURRENT TRANSFORMER MODELS 125, 126

### FEATURES

- Model 125 Terminals are Brass Studs No. 8-32 UNC
- Model 126 Terminals are Brass Studs No. 10-32 UNC (Each with flat washer, lockwasher and regular nut.)

### 600V CLASS

### SPECIFICATIONS

- Frequency..... 50 to 400Hz
  - Insulation Class ..... 0.6kV 10kV BIL Full Wave
  - Weight ..... Model 125..... 3 Lbs.  
Model 126..... 5.5 Lbs.
  - Mounting Brackets..... Model 125..... P/N 0221B00231  
Model 126..... P/N 0221B01529
  - Bus Bar Mounting Kit... Model 125..... P/N 0221A26076
- Manufactured to meet the requirements of ANSI/IEEE C57.13

### APPLICATIONS

- For use with AGW series and AGH series Watt and Watt/Watt Hour Transducers.
- Ideal for use with Ammeters, Set Point Relays, Watt, Var, Current Transducers and Watt Hour Meters.

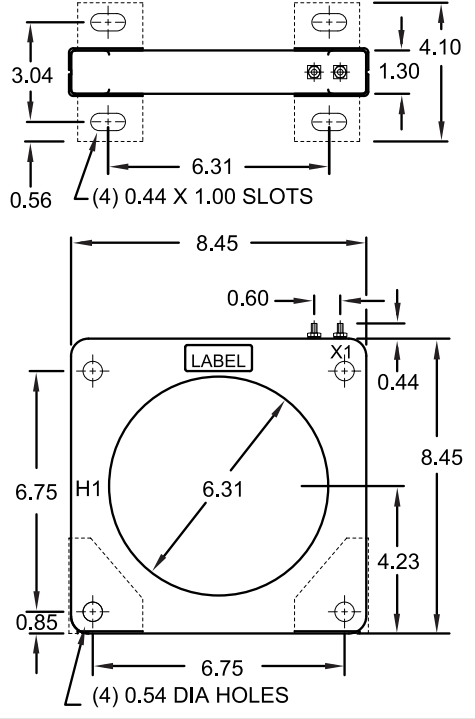


UL® US E238872 CSA® 245941 RoHS COMPLIANT MADE IN U.S.A.

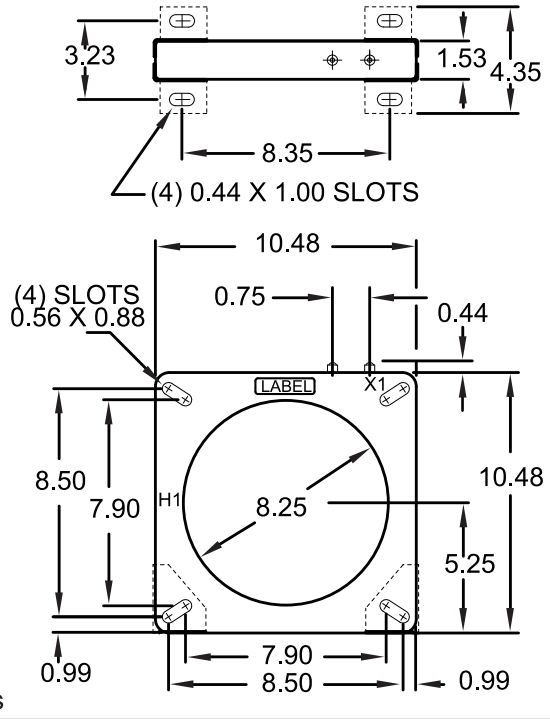
### APPLICATION AND ORDERING DATA

CATALOG NUMBER	CURRENT RATIO	ANSI METERING CLASS ACCURACY AT 60Hz					SECONDARY WINDING RESISTANCE (Ω @ 75°C)	CONTINUOUS THERMAL RATING FACTOR	
		B0.1	B0.2	B0.5	B0.9	B1.8		@30°C	@55°C
125-102	1000:5	0.3	0.3	0.3	0.6	1.2	0.187	1.5	1.33
125-122	1200:5	0.3	0.3	0.3	0.6	1.2	0.223	1.5	1.33
125-152	1500:5	0.3	0.3	0.3	0.3	0.6	0.285	1.5	1.33
125-162	1600:5	0.3	0.3	0.3	0.3	0.6	0.304	1.5	1.33
125-202	2000:5	0.3	0.3	0.3	0.3	0.6	0.280	1.5	1.0
125-252	2500:5	0.3	0.3	0.3	0.3	0.6	0.351	1.33	1.0
125-302	3000:5	0.3	0.3	0.3	0.3	0.6	0.421	1.33	1.0
125-352	3500:5	0.3	0.3	0.3	0.3	0.3	0.491	1.33	1.0
125-402	4000:5	0.3	0.3	0.3	0.3	0.3	0.696	1.0	0.8
126-152	1500:5	0.3	0.3	0.3	0.3	0.3	0.434	1.5	1.0
126-162	1600:5	0.3	0.3	0.3	0.3	0.3	0.462	1.5	1.0
126-202	2000:5	0.3	0.3	0.3	0.3	0.3	0.578	1.33	1.0
126-252	2500:5	0.3	0.3	0.3	0.3	0.3	0.904	1.0	0.8
126-302	3000:5	0.3	0.3	0.3	0.3	0.3	0.722	1.33	1.0
126-322	3200:5	0.3	0.3	0.3	0.3	0.3	0.770	1.33	1.0
126-352	3500:5	0.3	0.3	0.3	0.3	0.3	0.842	1.0	0.8
126-402	4000:5	0.3	0.3	0.3	0.3	0.3	0.962	1.0	0.8
126-502	5000:5	0.3	0.3	0.3	0.3	0.3	1.203	1.0	0.8

### MODEL 125 DIMENSIONS



### MODEL 126 DIMENSIONS



All Dimensions In Inches

**FLEX-CORE®**  
Div. Morlan & Associates, Inc.  
4970 Scioto Darby Rd. Hilliard, Ohio 43026

[WWW.FLEX-CORE.COM](http://WWW.FLEX-CORE.COM)  
sales@flex-core.com

PHONE (614) 889-6152  
TECH. ASSISTANCE (614) 876-8308  
FAX # (614) 876-8538

# CURRENT TRANSFORMERS

## METERING CLASS CURRENT TRANSFORMER MODELS 19SHT, 125, 126-1V

### FEATURES

- 0-1Vac Output
- 0.3% Accuracy

### APPLICATIONS

- For use with 0-1Vac input power meters.

### 600V CLASS

MADE  
IN U.S.A.



### SPECIFICATIONS

Frequency.....50-400Hz  
 Insulation Class ..... 0.6kV, 10kV BIL Full Wave  
 Terminals

Model 19SHT-1V ..... Brass Studs No. 8-32 with one flat washer, lock washer, and regular nut.  
 Model 125-1V ..... Brass Studs No. 8-32 with one flat washer, lock washer, and regular nut.  
 Model 126-1V ..... Brass Studs No. 10-32 with one flat washer, lock washer, and regular nut.

#### Weight

Model 19SHT-1V ..... Approximately 3 Lbs.  
 Model 125-1V ..... Approximately 3 Lbs.  
 Model 126-1V ..... Approximately 5.5 Lbs.

#### Mounting Brackets

Model 19SHT-1V ..... P/N 0221B00183  
 Model 125-1V ..... P/N 0221B00231  
 Model 126-1V ..... P/N 0221B01529



19SHT-1V



125-1V

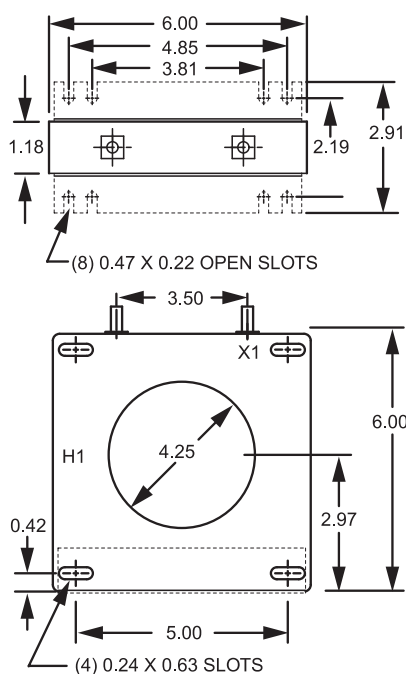


126-1V

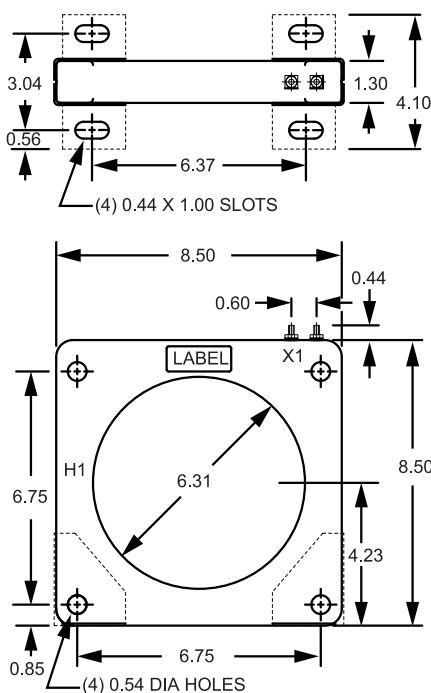
### APPLICATION AND ORDERING DATA

CATALOG NUMBER 19SHT-1V	CATALOG NUMBER 125-1V	CATALOG NUMBER 126-1V	CURRENT RATIO	ACCURACY	CONTINUOUS THERMAL RATING FACTOR	
					@ 30°C	@ 55°C
19SHT-101-1V	-	-	100:1V	0.3%	1.0	0.8
19SHT-201-1V	-	-	200:1V	0.3%	1.0	0.8
19SHT-301-1V	-	-	300:1V	0.3%	1.0	0.8
19SHT-401-1V	-	-	400:1V	0.3%	1.0	0.8
19SHT-501-1V	125-501-1V	126-501-1V	500:1V	0.3%	1.0	0.8
19SHT-601-1V	125-601-1V	126-601-1V	600:1V	0.3%	1.0	0.8
19SHT-801-1V	125-801-1V	126-801-1V	800:1V	0.3%	1.0	0.8
-	125-102-1V	126-102-1V	1000:1V	0.3%	1.0	0.8
-	125-122-1V	126-122-1V	1200:1V	0.3%	1.0	0.8
-	125-152-1V	126-152-1V	1500:1V	0.3%	1.0	0.8
-	125-202-1V	126-202-1V	2000:1V	0.3%	1.0	0.8
-	-	126-252-1V	2500:1V	0.3%	1.0	0.8
-	-	126-302-1V	3000:1V	0.3%	1.0	0.8

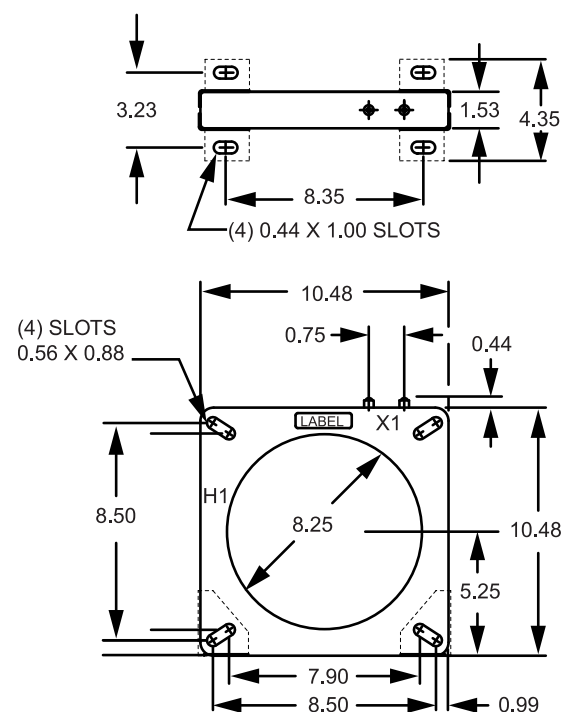
### 19SHT-1V DIMENSIONS



### 125-1V DIMENSIONS



### 126-1V DIMENSIONS



All Dimensions In Inches

**FLEX-CORE®**  
 Div. Morlan & Associates, Inc.  
 4970 Scioto Darby Rd. Hilliard, Ohio 43026

WWW.FLEX-CORE.COM  
 sales@flex-core.com

PHONE (614) 889-6152  
 TECH. ASSISTANCE (614) 876-8308  
 FAX # (614) 876-8538

# CURRENT TRANSFORMERS

## CURRENT TRANSFORMER

MODEL JAK-0C

### APPLICATIONS

Designed for indoor/outdoor\* service. Suitable for operating meters and instruments, on both single phase two-wire circuits and polyphase circuits. Outdoor type can be offered as an option.

### SPECIFICATIONS

IEEE Meter Accuracy Class, 60Hz ... 0.3% class from B0.1 to the burdens shown in the table.

Insulation Class ..... 0.6kV, 10kV BIL Full Wave Weight

Window-Type Transformer ..... Approximately 13 Lbs.

Primary Bar-Type Transformer... Approximately 16 Lbs.

Terminals ..... Tin plated brass 1/4-28 clamp type\*\*

### 600V CLASS



JAK-0C

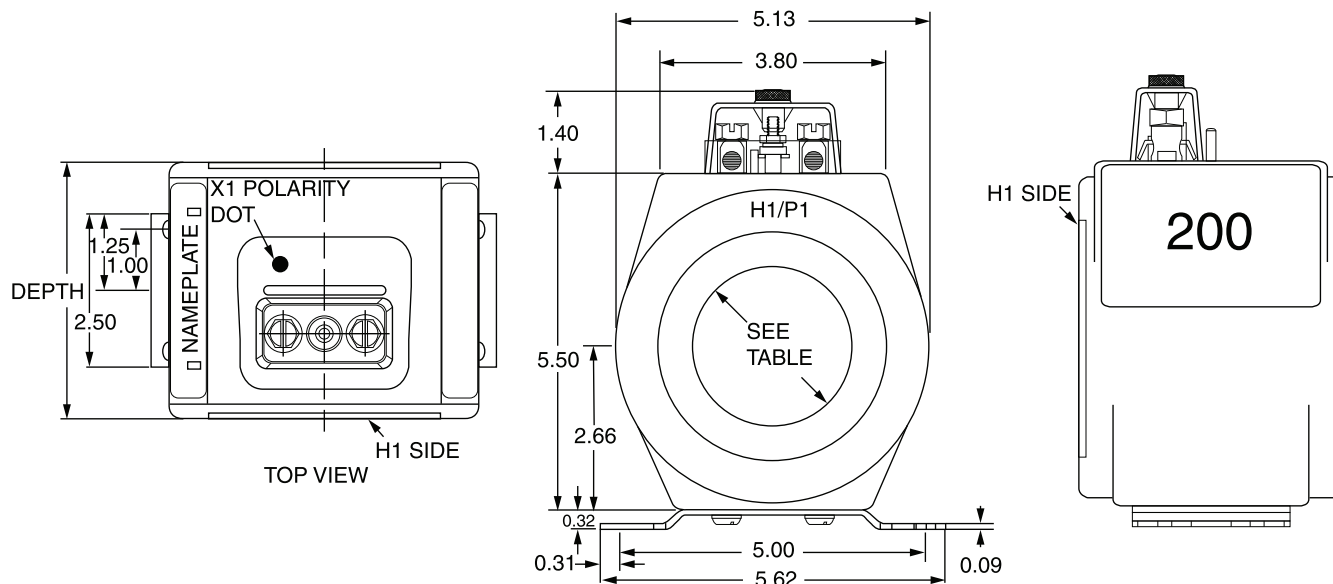


JAK-0C With Busbar

APPLICATION AND ORDERING DATA							
CATALOG NUMBER	11.88" PRIMARY BAR ASSEMBLY	CURRENT RATIO (AMPS) PRI:SEC	CONTINUOUS THERMAL RATING FACTOR		WINDOW I.D. (INCHES)	DEPTH	BURDEN
			@30°C	@55°C			
WINDOW-TYPE, SINGLE RATIO							
750X133645	0821C34762-7	100:5	4.0	4.0	1.50	4.20	B0.2
750X133311	0821C34762-5	200:5	4.0	4.0	2.60	4.20	B0.5
750X133312	0821C34762-9	***300:5	4.0	2.9	3.062	5.00	B0.5
750X133313	0821C34762-4	400:5	4.0	2.9	3.062	4.20	B0.5
750X133314	0821C34762-6	500:5	3.0	2.4	3.062	2.63	B0.5
750X133315	0821C34762-6	600:5	2.0	1.8	3.062	2.63	B0.5
750X133316	0821C34762-6	800:5	2.0	1.5	3.062	2.63	B0.5
750X133547	0821C34762-13	1000:5	2.0	1.5	3.062	2.63	B0.5
750X133501	0821C34762-13	1200:5	1.5	1.1	3.062	2.63	B1.8
750X133505	0821C34762-18	1500:5	1.5	1.1	3.062	2.63	B1.8
750X133509	0821C34762-13	2000:5	1.0	0.7	3.062	2.63	B1.8

\*\*\*Available only in 5" depth

### DIMENSIONS



\*Unit with watertight conduit box is available.

\*\*Torque terminals to: 30 INCH-LBS.

**FLEX-CORE®**  
Div. Morlan & Associates, Inc.  
4970 Scioto Darby Rd. Hilliard, Ohio 43026

WWW.FLEX-CORE.COM  
sales@flex-core.com

PHONE (614) 889-6152  
TECH. ASSISTANCE (614) 876-8308  
FAX # (614) 876-8538

# CURRENT TRANSFORMERS

## HIGH ACCURACY CURRENT TRANSFORMER

MODEL JAK-0S

### FEATURES

- Maximize revenue metering accuracy with special high accuracy rating extended beyond IEEE requirements.
- Simplify CT selection and billing multipliers, improving productivity and minimizing risk of error
- Reduce inventory and part number requirements, reducing asset and operational costs
- Window I.D. - 3.062"

### APPLICATIONS

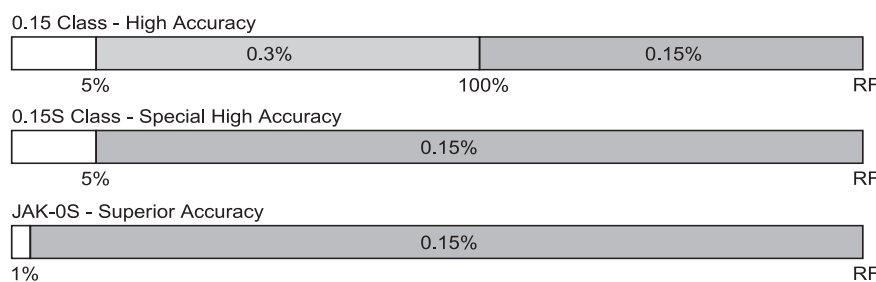
JAK-0S is a revenue metering current transformer which maintains IEEE 0.15 accuracy class from 1% of rated current up through rating factor. This is accomplished using the specialized amorphous core material which minimizes electrical core losses. The result is an extremely accurate CT that can maintain high accuracy over a extended range of current. Model JAK-0S is designed for indoor service. Optional Bar Kits available, see application table.



600V CLASS

### SPECIFICATIONS

Frequency..... 50-60Hz  
 Insulation Class .....0.6kV, 10kV BIL Full Wave  
 Weight  
     Transformer ..... Approximately 9 Lbs.  
     Primary Bar ..... Add 3 Lbs.



## CONSTRUCTION DETAILS

### Construction and Insulation

The core and coil assembly is encapsulated in resin within a molded case. The case is molded with Valox thermoplastic polyester resin. This tough material has excellent electrical and mechanical properties over a wide temperature range, has low water absorption and is resistant to oil and a variety of chemicals. The polyurethane resin filling completely encapsulates the winding, leads and terminals to form a waterproof unit.

### Core and Coils

The core is manufactured with high-efficiency material that reduces energy losses, allowing for higher accuracy over a wider range. The secondary winding is made of heavy enameled copper wire evenly distributed around the core for maximum accuracy and resistance to stray fields from adjacent conductors.

### Terminals

Secondary terminals are tin plated brass, compression type with a 0.275" diameter cross-hole for wiring and a 1/4-28 clamp screw. A shorting device is provided and interlocked to the terminal cover. The terminal cover is made of a clear plastic. Provision is made for sealing the cover.

### Polarity

The H1 polarity mark is indented into the body, above the window at one end. The X1 polarity mark is also molded into the body adjacent to the secondary terminal. Both marks are white for visibility.

### Nameplates

The nameplate is laser engraved aluminum. It is attached to the top of the unit. The nominal current rating is marked on the side of the unit in large numerals.

### Primary Bars (Optional)

Formed from flat copper bar, they are tin-plated. They can be supplied mounted to the transformer, or separately for assembly into window-type units; they can be rotated to bring the terminal pads into any orientation. The bar is supported and held in place by two end plates, which act as small animal barriers. One plate is permanently attached to the bar; the other has a slot allowing it to be slipped over the bar where it is held in place by two setscrews. Holes in the plate allow ventilation and drainage of any water which might accumulate in the window. A potential connector is provided, adjacent to the fixed end plate.

### Baseplate and Mounting

The transformer can be mounted in any position and may be suspended from the bus-bar or cable. The base is made from stainless steel.

### Maintenance

These transformers require no maintenance, other than occasional cleaning, if installed where air contamination is severe.

**FLEX-CORE®**

Div. Morlan & Associates, Inc.

4970 Scioto Darby Rd. Hilliard, Ohio 43026

WWW.FLEX-CORE.COM

sales@flex-core.com

PHONE (614) 889-6152

TECH. ASSISTANCE (614) 876-8308

FAX # (614) 876-8538

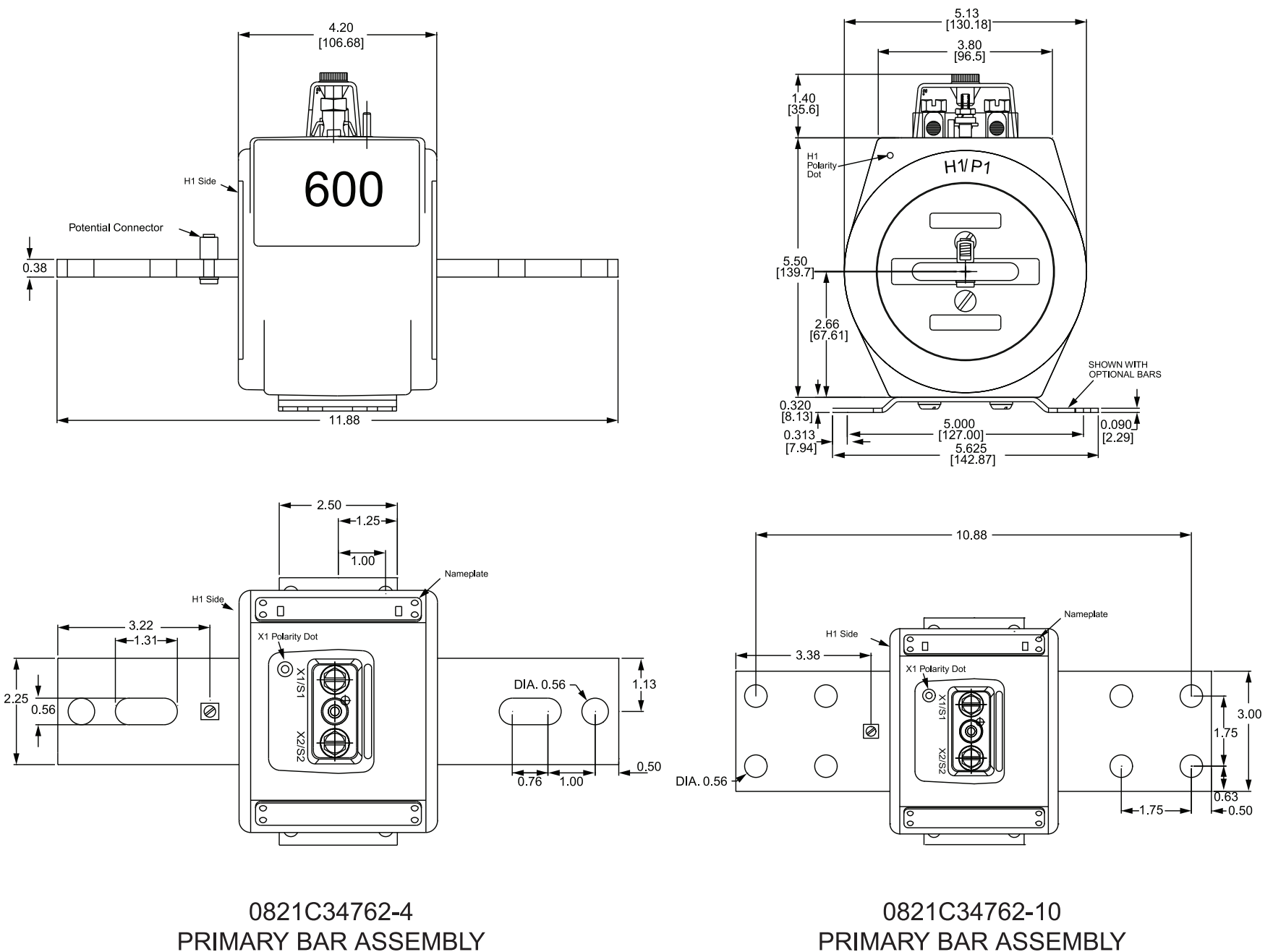
# CURRENT TRANSFORMERS

## HIGH ACCURACY CURRENT TRANSFORMER

MODEL JAK-0S

APPLICATION AND ORDERING DATA							
CATALOG NUMBER	11.88" PRIMARY BAR ASSEMBLY	CURRENT RATIO (AMPS) PRI:SEC	CONTINUOUS THERMAL RATING FACTOR		WINDOW I.D. (INCHES)	DEPTH (INCHES)	MAX BURDEN FOR 0.15% ACCURACY 1% - RF
			@30°C	@55°C			
WINDOW STYLE, NO PRIMARY BAR, SINGLE RATIO							
750X333012	0821C34762-4	600:5	2.0	1.5	3.062	4.20	B0.5
750X333016	0821C34762-10	1000:5	2.0	1.5	3.062	4.20	B0.5

### DIMENSIONS



All Dimensions In Inches (mm)

**FLEX-CORE®**  
Div. Morlan & Associates, Inc.  
4970 Scioto Darby Rd. Hilliard, Ohio 43026

WWW.FLEX-CORE.COM  
sales@flex-core.com

PHONE (614) 889-6152  
TECH. ASSISTANCE (614) 876-8308  
FAX # (614) 876-8538

# CURRENT TRANSFORMERS

## METERING CLASS CURRENT TRANSFORMER MODELS 191, 194, 195

ACCURATE TO 0.3%

### FEATURES

- For use with Watt, Var, Watt/Var, Watt/Watthour Transducers, Meters and Relays
- Meets ANSI specifications for sub-metering applications.
- UL Recognized.

600V CLASS

### SPECIFICATIONS

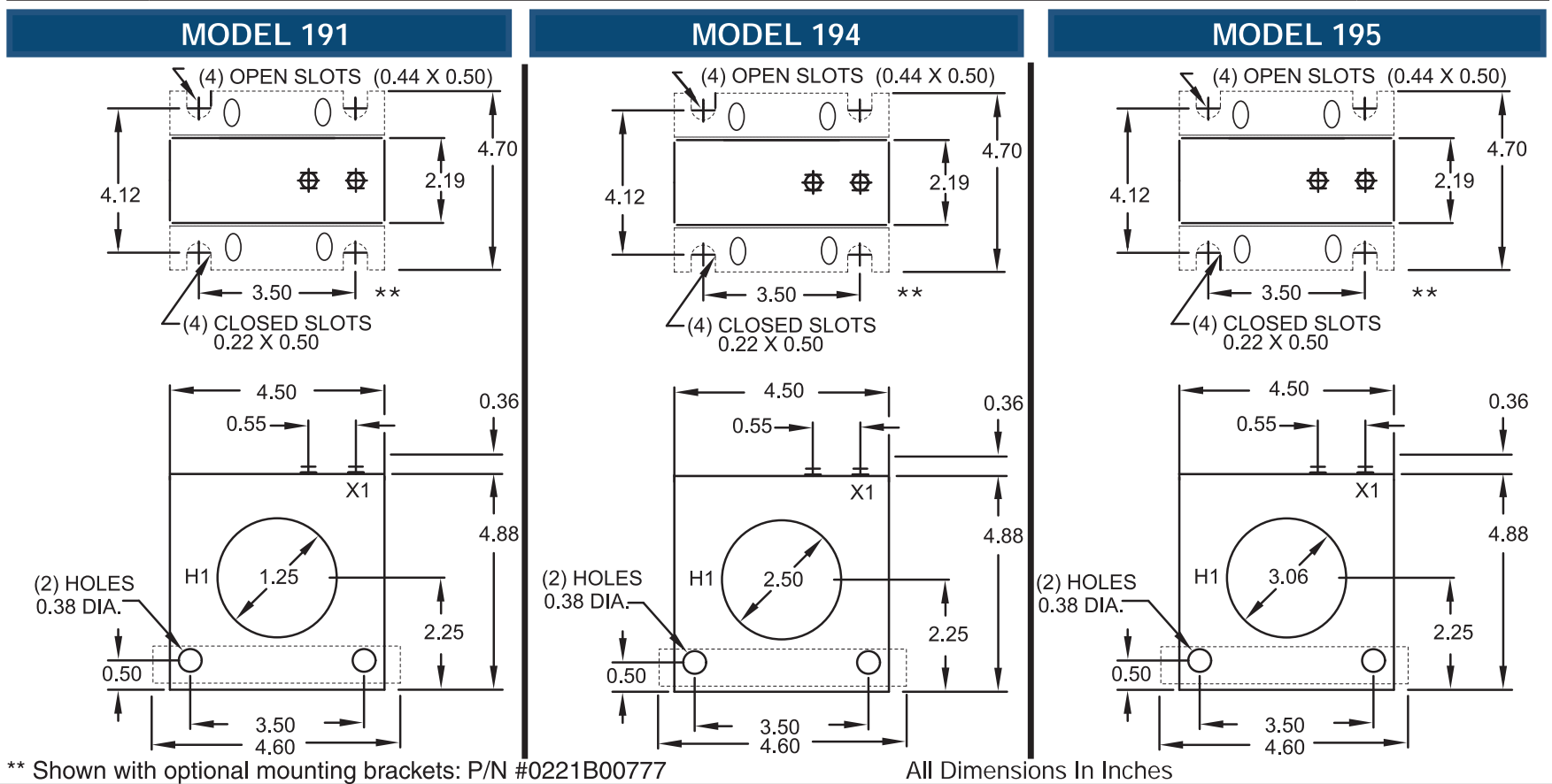
Frequency..... 50 to 400Hz  
 Insulation Class .....0.6kV, 10kV BIL Full Wave  
 Terminals .....Brass Studs No. 8-32 UNC with one flat washer, lock washer and regular nut.  
 Mounting Bracket..... P/N 0221B00777



191 194 195  
 UL® US E238872 CSA® 245941  
 MADE IN U.S.A.  
 RoHS COMPLIANT

Manufactured to meet the requirements of ANSI/IEEE C57.13

APPLICATION AND ORDERING DATA											
MODEL NUMBER	CURRENT RATIO	WEIGHT (LBS.)	ANSI METERING CLASS ACCURACY AT 60Hz					RELAY CLASS	SECONDARY WINDING RESISTANCE (Ω @ 75°C)	CONTINUOUS THERMAL RATING FACTOR	
			B0.1	B0.2	B0.5	B0.9	B1.8			@30°C	@55°C
191-101	100:5	5.5	0.6	0.6	2.4	4.8	-	-	0.034	2.0	2.0
191-151	150:5	5.5	0.3	0.3	1.2	1.2	2.4	C10	0.051	2.0	2.0
191-201	200:5	5.5	0.3	0.3	0.6	1.2	2.4	C10	0.068	2.0	2.0
191-251	250:5	5.5	0.3	0.3	0.3	0.6	1.2	C20	0.085	2.0	1.5
191-301	300:5	5.5	0.3	0.3	0.3	0.3	0.6	C20	0.126	1.5	1.33
191-401	400:5	5.5	0.3	0.3	0.3	0.3	0.6	C20	0.189	1.5	1.0
194-401	400:5	3.5	0.3	0.3	0.3	0.6	1.2	C10	0.104	2.0	1.5
194-501	500:5	3.5	0.3	0.3	0.3	0.3	0.6	C10	0.133	1.5	1.0
195-501	500:5	2.25	0.3	0.3	0.3	0.6	1.2	-	0.105	2.0	1.5
194-601	600:5	3.5	0.3	0.3	0.3	0.6	0.6	C10	0.180	1.5	1.0
195-601	600:5	2.25	0.3	0.3	0.3	0.6	1.2	-	0.151	1.5	1.33
194-801	800:5	3.5	0.3	0.3	0.3	0.3	0.3	C10	0.302	1.0	0.8
195-801	800:5	2.25	0.3	0.3	0.3	0.6	0.6	-	0.265	1.0	0.8
194-102	1000:5	3.5	0.3	0.3	0.3	0.3	0.3	-	0.354	1.0	0.8
195-102	1000:5	2.25	0.3	0.3	0.3	0.6	0.6	-	0.209	1.0	0.8
194-122	1200:5	3.5	0.3	0.3	0.3	0.3	0.3	-	0.425	1.0	0.8
195-122	1200:5	2.25	0.3	0.3	0.3	0.3	0.6	-	0.301	1.0	0.6
194-152	1500:5	3.5	0.3	0.3	0.3	0.3	0.3	-	0.531	1.0	0.6
195-152	1500:5	2.25	0.3	0.3	0.3	0.3	0.6	-	0.471	1.0	0.6
195-162	1600:5	2.25	0.3	0.3	0.3	0.3	0.6	-	0.502	1.0	0.6
195-202	2000:5	2.25	0.3	0.3	0.3	0.3	0.3	-	0.782	0.6	0.6



\*\* Shown with optional mounting brackets: P/N #0221B00777

All Dimensions In Inches

**FLEX-CORE®** Div. Morlan & Associates, Inc. 4970 Scioto Darby Rd. Hilliard, Ohio 43026  
 WWW.FLEX-CORE.COM sales@flex-core.com  
 PHONE (614) 889-6152 TECH. ASSISTANCE (614) 876-8308 FAX # (614) 876-8538

# CURRENT TRANSFORMERS

## RELAY/METER CLASS CURRENT TRANSFORMER MODEL 110

### FEATURES

- UL Recognized
- Window I.D. - 4.0"
- Relaying and Metering Applications

**600V CLASS**

®  E93779  LR89403



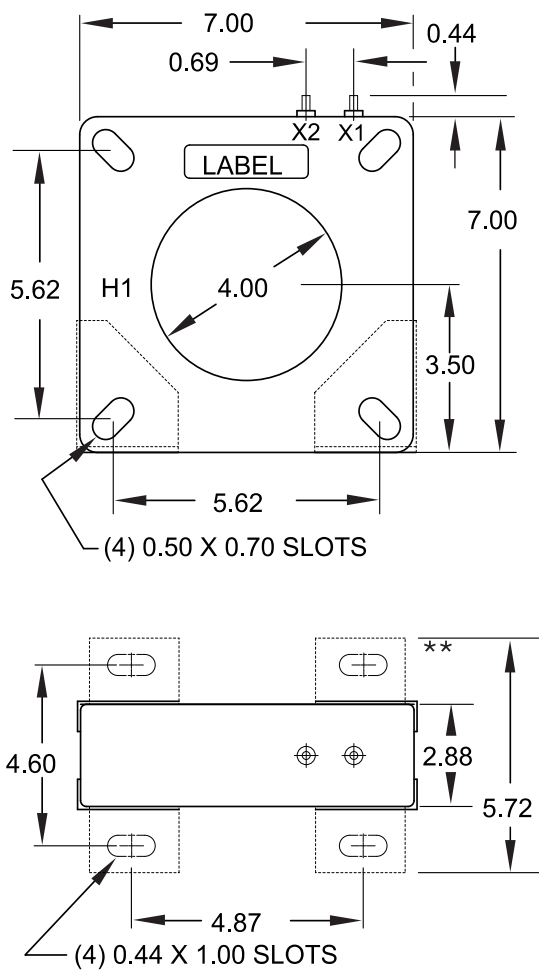
### SPECIFICATIONS

Frequency..... 50-400Hz  
 Insulation Class ..... 0.6kV, 10kV BIL Full Wave  
 Terminals ..... Brass Studs No. 8-32 UNC  
 with one flat washer, lock washer and regular nut.  
 Weight ..... Approximately 13 Lbs.  
 Mounting Bracket..... P/N 0221B00186  
 Manufactured to meet the requirements of ANSI/IEEE C57.13

### APPLICATION AND ORDERING DATA

CATALOG NUMBER	CURRENT RATIO	RELAY CLASS	ANSI METERING CLASS AT 60Hz					SECONDARY WINDING RESISTANCE (Ω @ 75°C)	CONTINUOUS THERMAL RATING FACTOR	
			B0.1	B0.2	B0.5	B0.9	B1.8		@30°C	@55°C
110-201	200:5	C10	0.6	1.2	1.2	2.4	-	0.085	2.0	2.0
110-301	300:5	C20	0.3	0.6	0.6	1.2	2.4	0.128	2.0	2.0
110-401	400:5	C20	0.3	0.3	0.3	0.6	1.2	0.152	2.0	2.0
110-501	500:5	C20	0.3	0.3	0.3	0.6	0.6	0.214	2.0	1.5
110-601	600:5	C50	0.3	0.3	0.3	0.3	0.6	0.256	2.0	1.5
110-801	800:5	C50	0.3	0.3	0.3	0.3	0.3	0.342	1.5	1.33
110-102	1000:5	C100	0.3	0.3	0.3	0.3	0.3	0.427	1.5	1.0
110-122	1200:5	C50	0.3	0.3	0.3	0.3	0.3	0.489	1.5	1.0
110-152	1500:5	C100	0.3	0.3	0.3	0.3	0.3	0.611	1.33	1.0
110-162	1600:5	C100	0.3	0.3	0.3	0.3	0.3	0.652	1.0	1.0
110-202	2000:5	C100	0.3	0.3	0.3	0.3	0.3	0.815	1.0	0.8
110-252	2500:5	C100	0.3	0.3	0.3	0.3	0.3	0.974	1.0	0.8
110-302	3000:5	C100	0.3	0.3	0.3	0.3	0.3	1.168	1.0	0.6

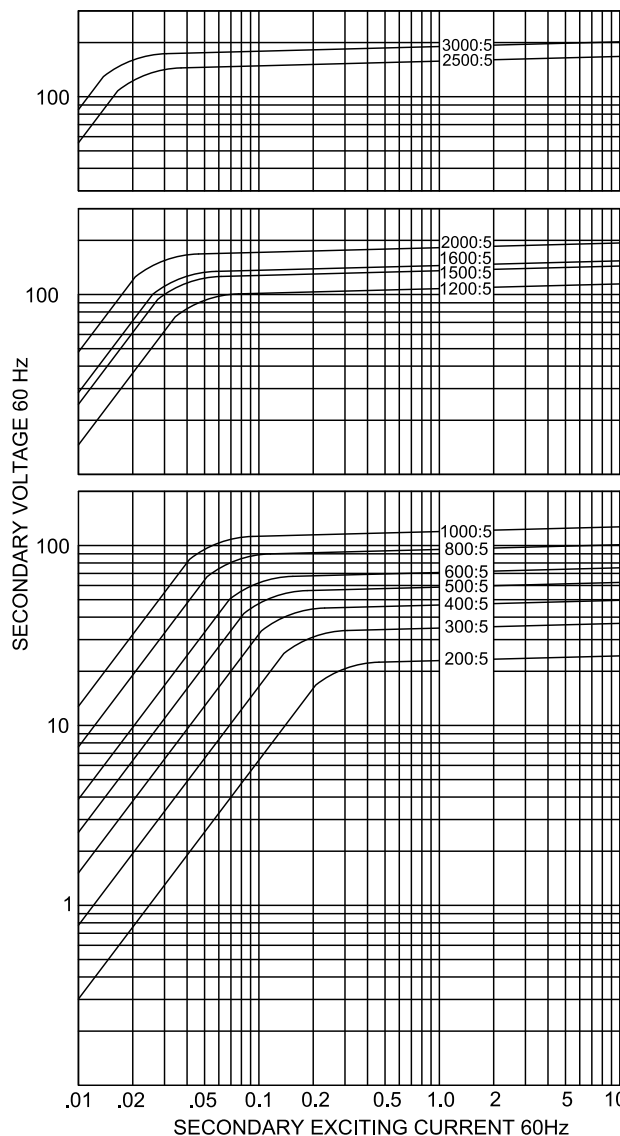
### DIMENSIONS



\*\* Shown with optional mounting brackets: P/N #0221B00186

All Dimensions In Inches

### EXCITATION CURVE



**FLEX-CORE®**

Div. Morlan & Associates, Inc.  
 4970 Scioto Darby Rd. Hilliard, Ohio 43026

WWW.FLEX-CORE.COM

sales@flex-core.com

PHONE (614) 889-6152

TECH. ASSISTANCE (614) 876-8308

FAX # (614) 876-8538

# CURRENT TRANSFORMERS

## RELAY/METER CLASS CURRENT TRANSFORMER MODEL 114

### FEATURES

- UL Recognized
- Window I.D. - 3.25"
- Relaying and Metering Applications

**600V CLASS**

MADE  
IN U.S.A.

**USE238872** **245941**



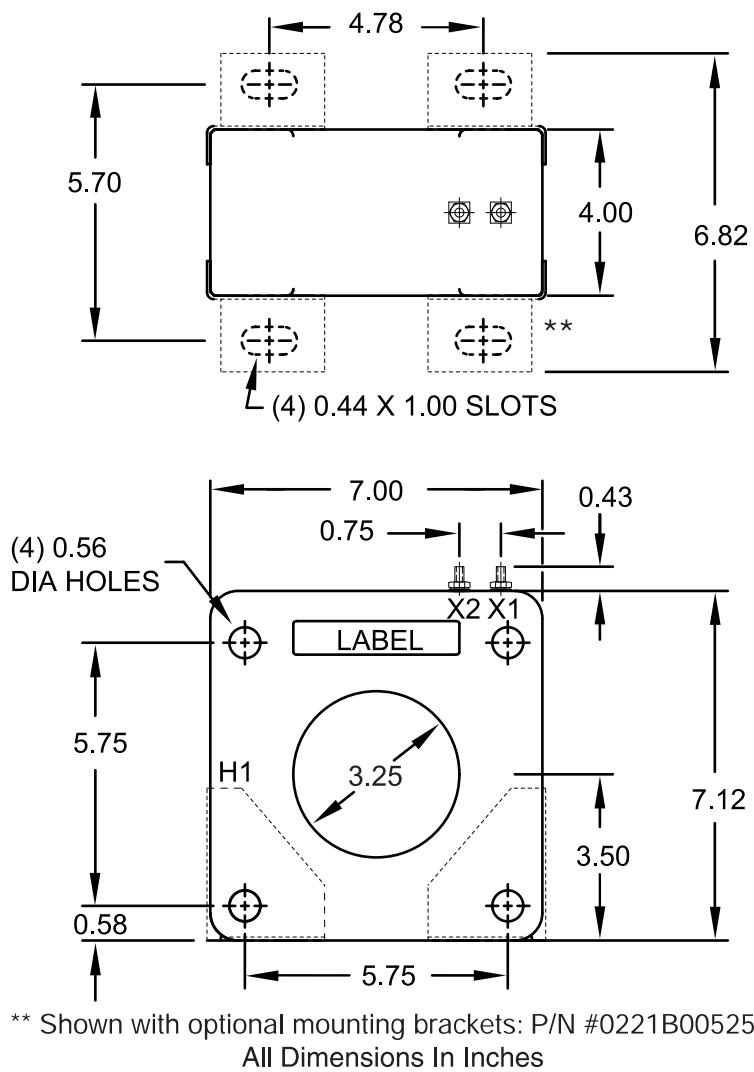
### SPECIFICATIONS

Frequency..... 50-400Hz  
 Insulation Class .....0.6kV, 10kV BIL Full Wave  
 Terminals ..... Brass Studs No. 8-32 UNC  
 with one flat washer, lock washer and regular nut.  
 Weight ..... Approximately 22 Lbs.  
 Mounting Bracket..... P/N 0221B01525  
 Manufactured to meet the requirements of ANSI/IEEE C57.13

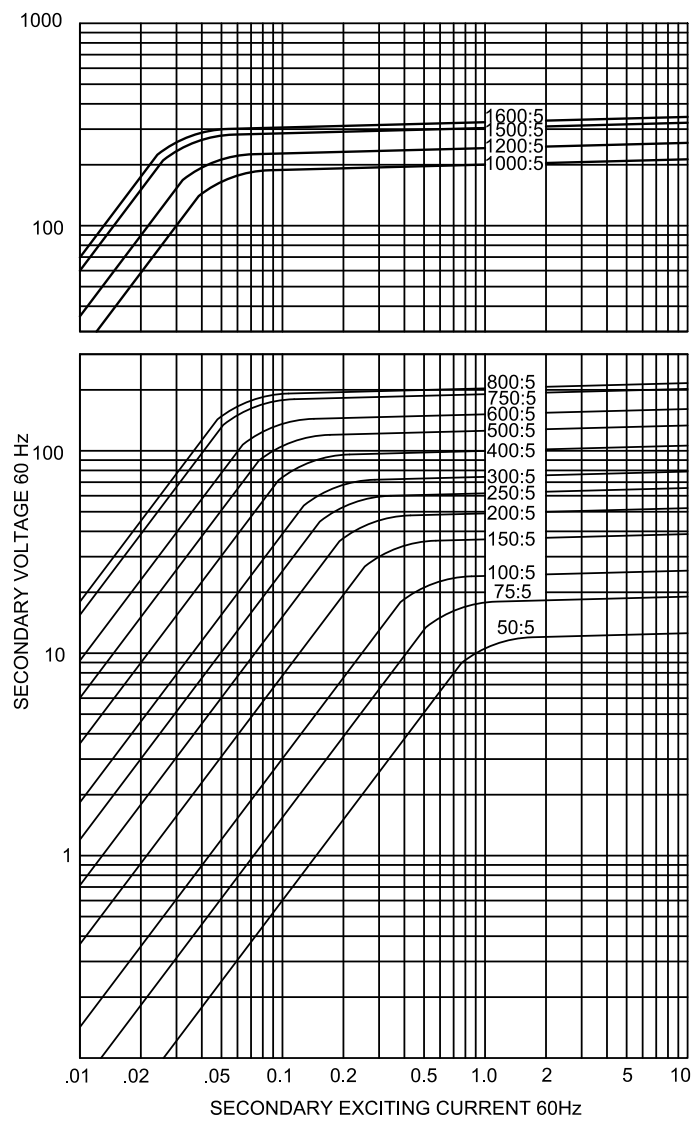
### APPLICATION AND ORDERING DATA

CATALOG NUMBER	CURRENT RATIO	RELAY CLASS	ANSI METERING CLASS AT 60Hz					SECONDARY WINDING RESISTANCE (Ω @ 75°C)	CONTINUOUS THERMAL RATING FACTOR	
			B0.1	B0.2	B0.5	B0.9	B1.8		@30°C	@55°C
114-500	50:5	C10	1.2	4.8	-	-	-	0.025	2.0	2.0
114-750	75:5	C10	1.2	1.2	4.8	-	-	0.046	2.0	2.0
114-101	100:5	C10	1.2	1.2	2.4	4.8	-	0.062	2.0	2.0
114-151	150:5	C20	0.6	0.6	1.2	2.4	4.8	0.093	2.0	2.0
114-201	200:5	C20	0.3	0.3	0.6	1.2	2.4	0.113	2.0	2.0
114-251	250:5	C50	0.3	0.3	0.6	1.2	1.2	0.155	2.0	2.0
114-301	300:5	C50	0.3	0.3	0.6	0.6	1.2	0.186	2.0	2.0
114-401	400:5	C50	0.3	0.3	0.3	0.3	0.6	0.248	2.0	1.5
114-501	500:5	C100	0.3	0.3	0.3	0.3	0.6	0.309	2.0	1.5
114-601	600:5	C100	0.3	0.3	0.3	0.3	0.3	0.371	1.5	1.33
114-751	750:5	C100	0.3	0.3	0.3	0.3	0.3	0.464	1.5	1.0
114-801	800:5	C100	0.3	0.3	0.3	0.3	0.3	0.495	1.5	1.0
114-102	1000:5	C100	0.3	0.3	0.3	0.3	0.3	0.597	1.5	1.0
114-122	1200:5	C200	0.3	0.3	0.3	0.3	0.3	0.716	1.33	1.0
114-152	1500:5	C200	0.3	0.3	0.3	0.3	0.3	0.896	1.0	0.8
114-162	1600:5	C200	0.3	0.3	0.3	0.3	0.3	0.955	1.0	0.8

### DIMENSIONS



### EXCITATION CURVE



**FLEX-CORE®**  
 Div. Morlan & Associates, Inc.  
 4970 Scioto Darby Rd. Hilliard, Ohio 43026

WWW.FLEX-CORE.COM  
 sales@flex-core.com

PHONE (614) 889-6152  
 TECH. ASSISTANCE (614) 876-8308  
 FAX # (614) 876-8538



# CURRENT TRANSFORMERS

## RELAY/METER CLASS CURRENT TRANSFORMER MODEL 130

### FEATURES

- UL Recognized
- Window I.D. - 5.75"
- Relaying and Metering Applications



### 600V CLASS



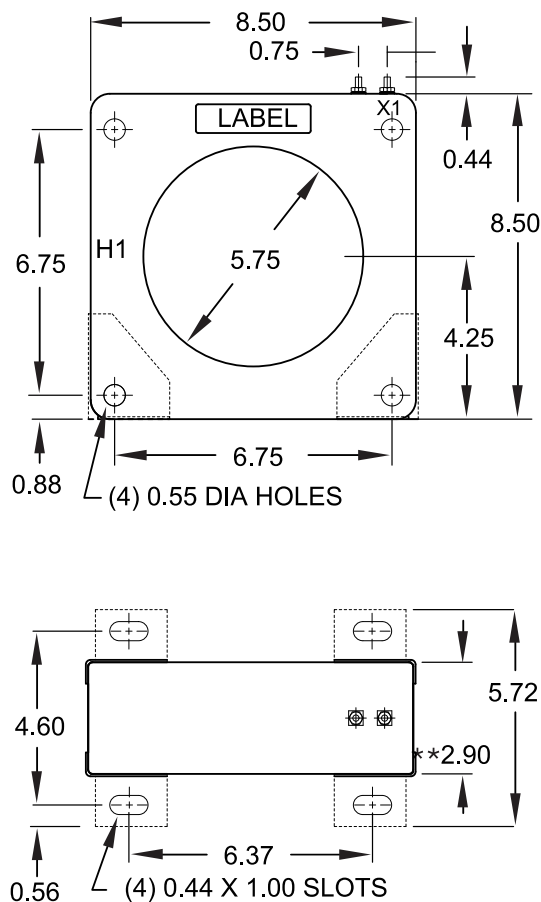
### SPECIFICATIONS

Frequency ..... 50-400Hz  
 Insulation Class ..... 0.6kV, 10kV BIL Full Wave  
 Terminals ..... Brass Studs No. 8-32 UNC  
 with one flat washer, lock washer and regular nut.  
 Weight ..... Approximately 18 Lbs.  
 Mounting Bracket..... P/N 0221B00186  
 Manufactured to meet the requirements of ANSI/IEEE C57.13

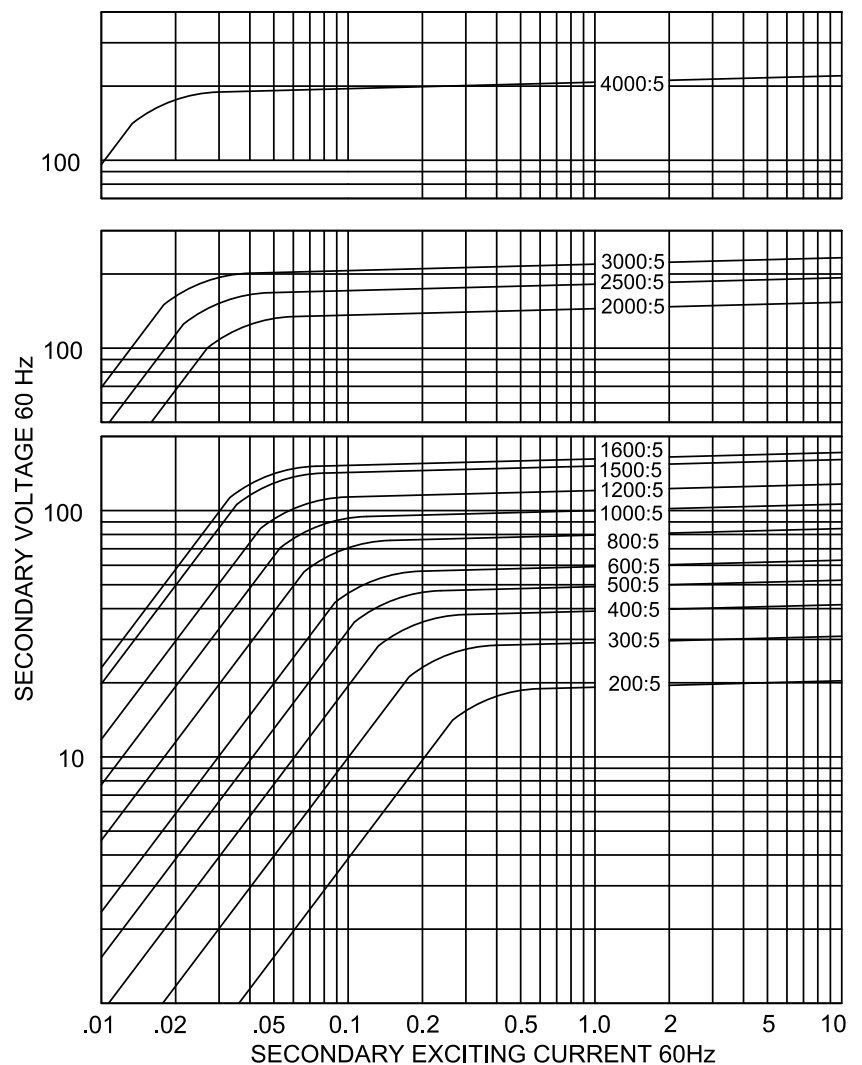
### APPLICATION AND ORDERING DATA

CATALOG NUMBER	CURRENT RATIO	RELAY CLASS	ANSI METERING CLASS AT 60Hz					SECONDARY WINDING RESISTANCE (Ω @75°C)	CONTINUOUS THERMAL RATING FACTOR	
			B0.1	B0.2	B0.5	B0.9	B1.8		@30°C	@55°C
130-201	200:5	C10	0.6	0.6	2.4	2.4	4.8	0.064	2.0	2.0
130-301	300:5	C20	0.3	0.3	1.2	1.2	2.4	0.105	2.0	2.0
130-401	400:5	C20	0.3	0.3	0.6	1.2	1.2	0.140	2.0	2.0
130-501	500:5	C20	0.3	0.3	0.3	0.6	1.2	0.175	2.0	2.0
130-601	600:5	C20	0.3	0.3	0.3	0.6	1.2	0.210	2.0	1.5
130-801	800:5	C50	0.3	0.3	0.3	0.3	0.6	0.324	2.0	1.5
130-102	1000:5	C50	0.3	0.3	0.3	0.3	0.3	0.404	1.5	1.33
130-122	1200:5	C100	0.3	0.3	0.3	0.3	0.3	0.485	1.5	1.0
130-152	1500:5	C100	0.3	0.3	0.3	0.3	0.3	0.607	1.5	1.0
130-162	1600:5	C100	0.3	0.3	0.3	0.3	0.3	0.647	1.33	1.0
130-202	2000:5	C100	0.3	0.3	0.3	0.3	0.3	0.783	1.33	1.0
130-252	2500:5	C100	0.3	0.3	0.3	0.3	0.3	0.979	1.0	0.8
130-302	3000:5	C100	0.3	0.3	0.3	0.3	0.3	1.175	1.0	0.8
130-402	4000:5	C100	0.3	0.3	0.3	0.3	0.3	1.484	1.0	0.6

### DIMENSIONS



### EXCITATION CURVE



\*\* Shown with optional mounting brackets: P/N #0221B00186

All Dimensions In Inches

**FLEX-CORE®**  
 Div. Morlan & Associates, Inc.  
 4970 Scioto Darby Rd. Hilliard, Ohio 43026

WWW.FLEX-CORE.COM  
 sales@flex-core.com

PHONE (614) 889-6152  
 TECH. ASSISTANCE (614) 876-8308  
 FAX # (614) 876-8538

# CURRENT TRANSFORMERS

## RELAY/METER CLASS CURRENT TRANSFORMER MODEL 143

### FEATURES

- Relaying and Metering Applications
- High Relay Class Models
- UL Recognized
- Window I.D. - 7.31"

600V CLASS

### APPLICATIONS

- Over or Under Current Relays
- Metering
- Ability to drive longer wire runs
- Zero-Sequence Ground Fault Relays



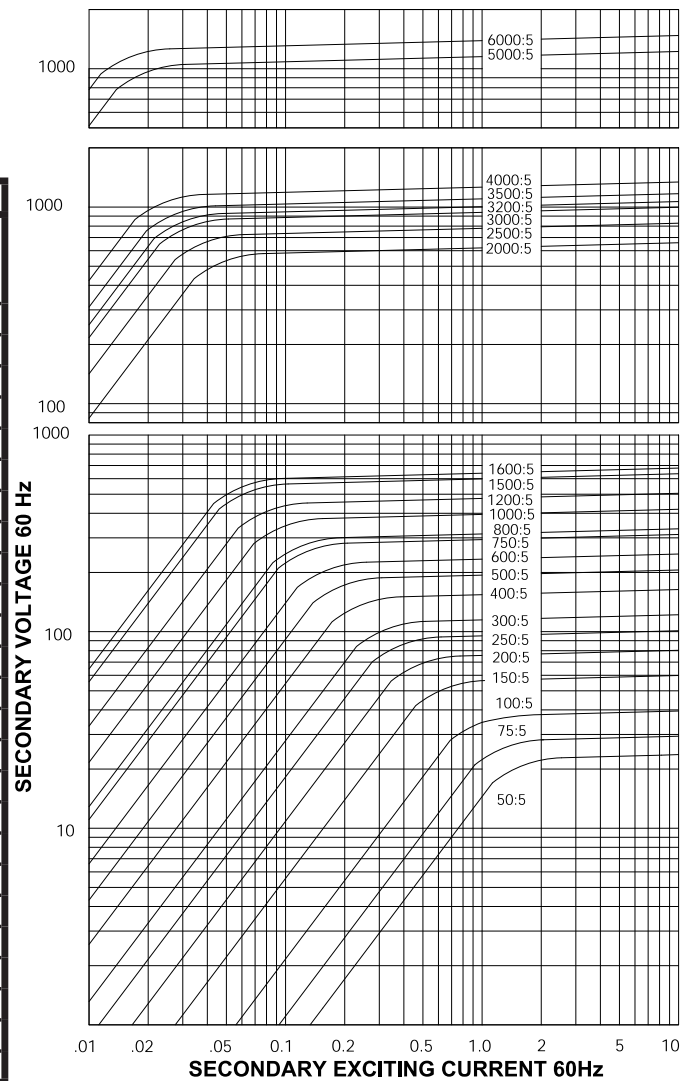
### SPECIFICATIONS

Frequency..... 50-400Hz  
 Insulation class..... 0.6kV, 10kV BIL Full Wave  
 Secondary Terminals.....Brass Screws No. 10-32  
 Weight .....Approximately 60 Lbs.  
 Optional Mounting Bracket ..... P/N 0221B00775  
 \*Approved for Revenue Metering by Industry Canada AE-0642  
 Manufactured to meet the requirements of ANSI/IEEE C57.13

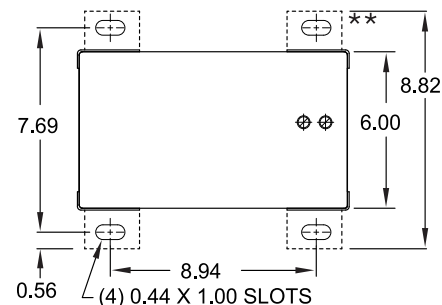
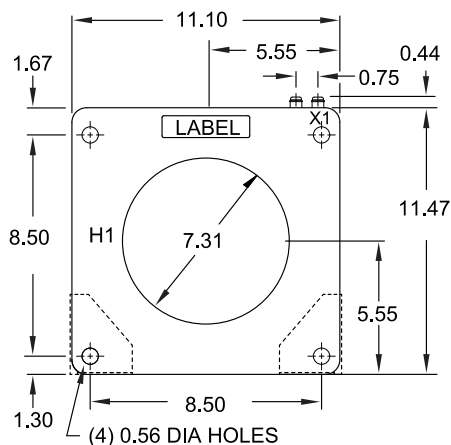
APPLICATION AND ORDERING DATA

CATALOG NUMBER	CURRENT RATIO	RELAY CLASS	ANSI METERING CLASS AT 60Hz					SECONDARY WINDING RESISTANCE (Ω @75°C)	CONTINUOUS THERMAL RATING FACTOR	
			B0.1	B0.2	B0.5	B0.9	B1.8		@30°C	@55°C
143-500	50:5	C20	4.8	4.8	-	-	-	0.014	2.0	2.0
143-750	75:5	C20	2.4	2.4	-	-	-	0.042	2.0	2.0
143-101	100:5	C20	1.2	2.4	4.8	4.8	-	0.056	2.0	2.0
143-151	150:5*	C50	0.6	0.6	1.2	2.4	4.8	0.121	2.0	2.0
143-201	200:5*	C50	0.3	0.3	0.6	1.2	2.4	0.161	2.0	2.0
143-251	250:5*	C50	0.3	0.3	0.6	1.2	2.4	0.175	2.0	2.0
143-301	300:5*	C100	0.3	0.3	0.3	0.6	1.2	0.241	2.0	2.0
143-401	400:5*	C100	0.3	0.3	0.3	0.3	0.6	0.322	2.0	2.0
143-501	500:5*	C100	0.3	0.3	0.3	0.6	0.6	0.441	2.0	2.0
143-601	600:5*	C200	0.3	0.3	0.3	0.3	0.3	0.530	2.0	1.5
143-751	750:5*	C200	0.3	0.3	0.3	0.3	0.3	0.662	2.0	1.5
143-801	800:5*	C200	0.3	0.3	0.3	0.3	0.3	0.706	2.0	1.5
143-102	1000:5*	C200	0.3	0.3	0.3	0.3	0.3	0.883	1.5	1.33
143-122	1200:5*	C400	0.3	0.3	0.3	0.3	0.3	1.059	1.5	1.0
143-152	1500:5*	C400	0.3	0.3	0.3	0.3	0.3	1.324	1.5	1.0
143-162	1600:5*	C400	0.3	0.3	0.3	0.3	0.3	1.413	1.33	1.0
143-202	2000:5*	C400	0.3	0.3	0.3	0.3	0.3	1.678	1.33	1.0
143-252	2500:5*	C400	0.3	0.3	0.3	0.3	0.3	2.097	1.0	0.8
143-302	3000:5*	C800	0.3	0.3	0.3	0.3	0.3	2.516	1.0	0.8
143-322	3200:5*	C800	0.3	0.3	0.3	0.3	0.3	2.684	1.0	0.8
143-352	3500:5*	C800	0.3	0.3	0.3	0.3	0.3	2.936	1.0	0.8
143-402	4000:5*	C800	0.3	0.3	0.3	0.3	0.3	3.355	1.0	0.6
143-502	5000:5*	C800	0.3	0.3	0.3	0.3	0.3	3.983	1.0	0.6
143-602	6000:5*	C800	0.3	0.3	0.3	0.3	0.3	4.780	0.8	0.6

### EXCITATION CURVE



### DIMENSIONS



\*\* Shown with optional mounting brackets: P/N #0221B00775

All Dimensions In Inches

**FLEX-CORE®**  
 Div. Morlan & Associates, Inc.  
 4970 Scioto Darby Rd. Hilliard, Ohio 43026

WWW.FLEX-CORE.COM  
 sales@flex-core.com

PHONE (614) 889-6152  
 TECH. ASSISTANCE (614) 876-8308  
 FAX # (614) 876-8538

# CURRENT TRANSFORMERS

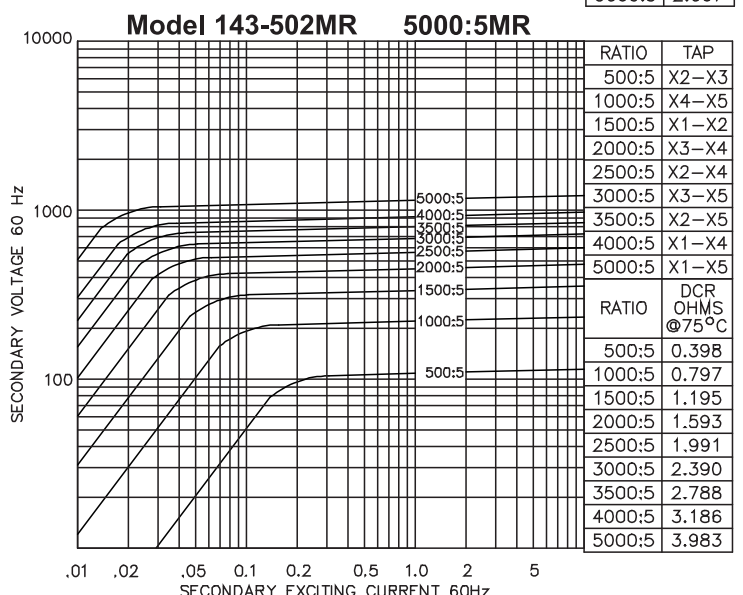
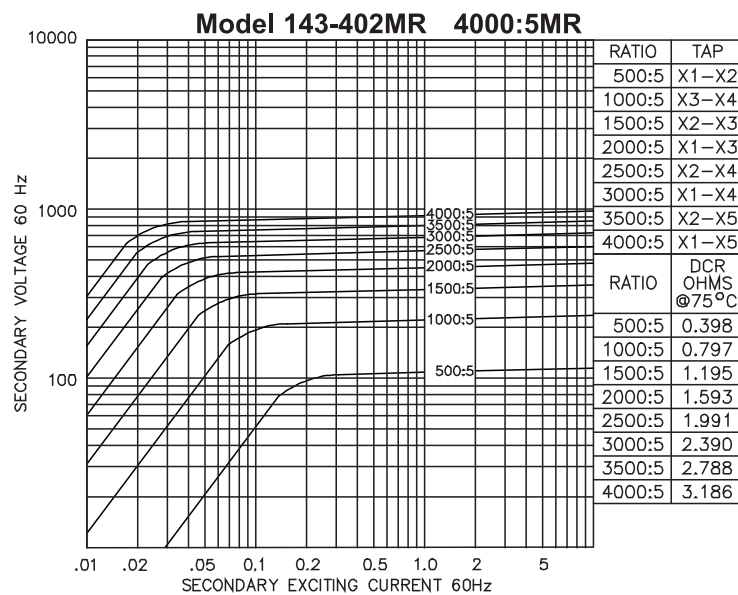
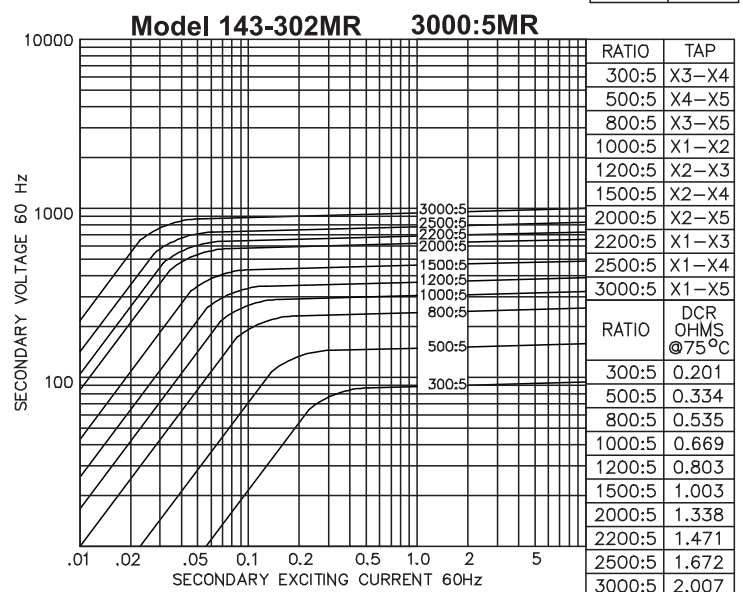
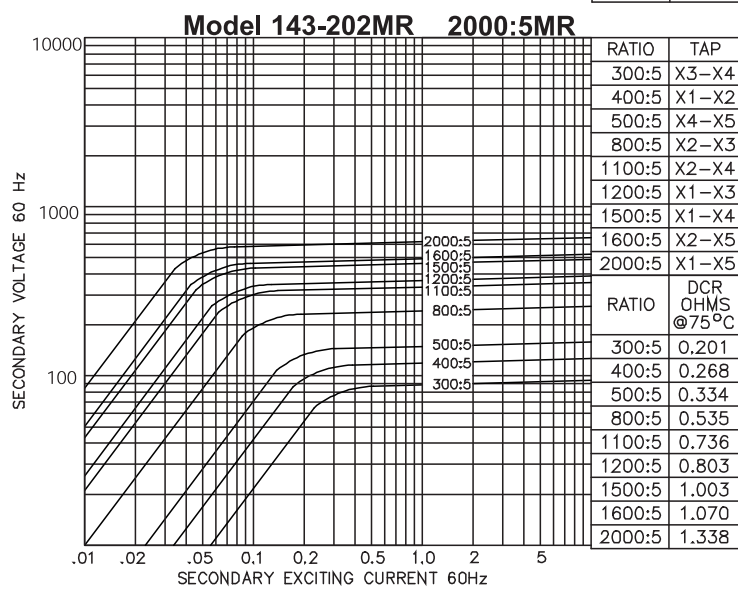
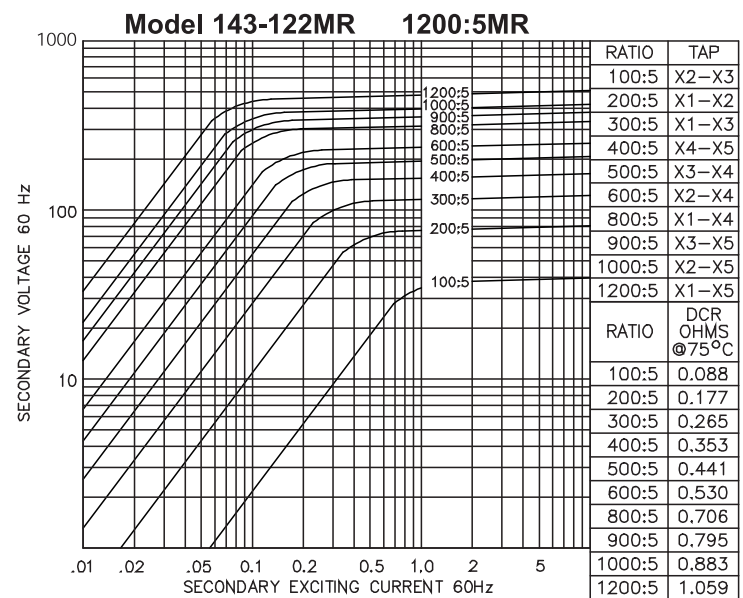
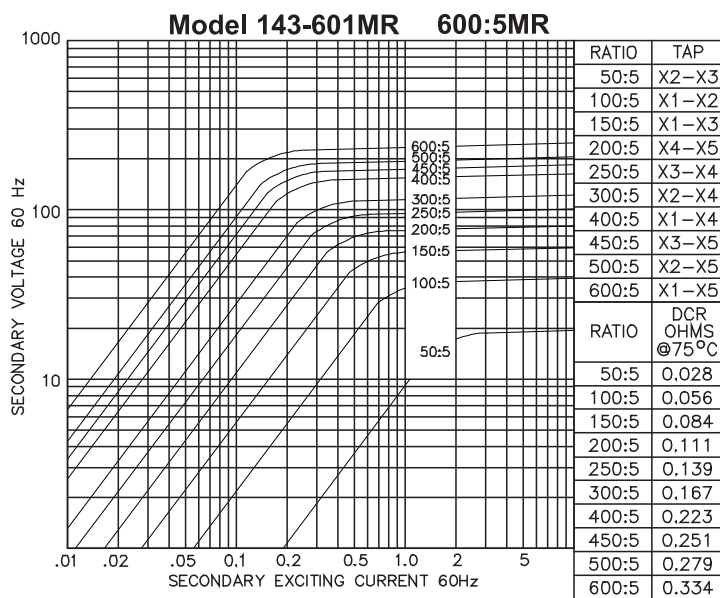
## RELAY CLASS CURRENT TRANSFORMERS

MODEL 143MR

MULTI-RATIO UNITS AVAILABLE IN THE 143 MODEL (143MR)

CATALOG NUMBER	MULTIPLE CURRENT RATIOS											RELAY CLASS	CONTINUOUS THERMAL RATING FACTOR	
													@30°C	@55°C
	143-601MR	50:5	100:5	150:5	200:5	250:5	300:5	400:5	450:5	500:5	600:5	C200	2.0	1.5
143-122MR	100:5	200:5	300:5	400:5	500:5	600:5	800:5	900:5	1000:5	1200:5	C400	1.5	1.0	
143-202MR	300:5	400:5	500:5	800:5	1100:5	1200:5	1500:5	1600:5	2000:5	-	C400	1.33	1.0	
143-302MR	300:5	500:5	800:5	1000:5	1200:5	1500:5	2000:5	2200:5	2500:5	3000:5	C800	1.0	0.8	
143-402MR	500:5	1000:5	1500:5	2000:5	2500:5	3000:5	3500:5	4000:5	-	-	C800	1.0	0.6	
143-502MR	500:5	1000:5	1500:5	2000:5	2500:5	3000:5	3500:5	4000:5	5000:5	-	C800	1.0	0.6	

### EXCITATION CURVES



**FLEX-CORE®**  
 Div. Morlan & Associates, Inc.  
 4970 Scioto Darby Rd. Hilliard, Ohio 43026

WWW.FLEX-CORE.COM  
 sales@flex-core.com

PHONE (614) 889-6152  
 TECH. ASSISTANCE (614) 876-8308  
 FAX # (614) 876-8538

# CURRENT TRANSFORMERS

## RELAY/METER CLASS CURRENT TRANSFORMER MODEL 780

### FEATURES

- Relaying and Metering Applications
- High Relay Class Models
- UL Recognized
- Window I.D. - 6.50"

**600V CLASS**



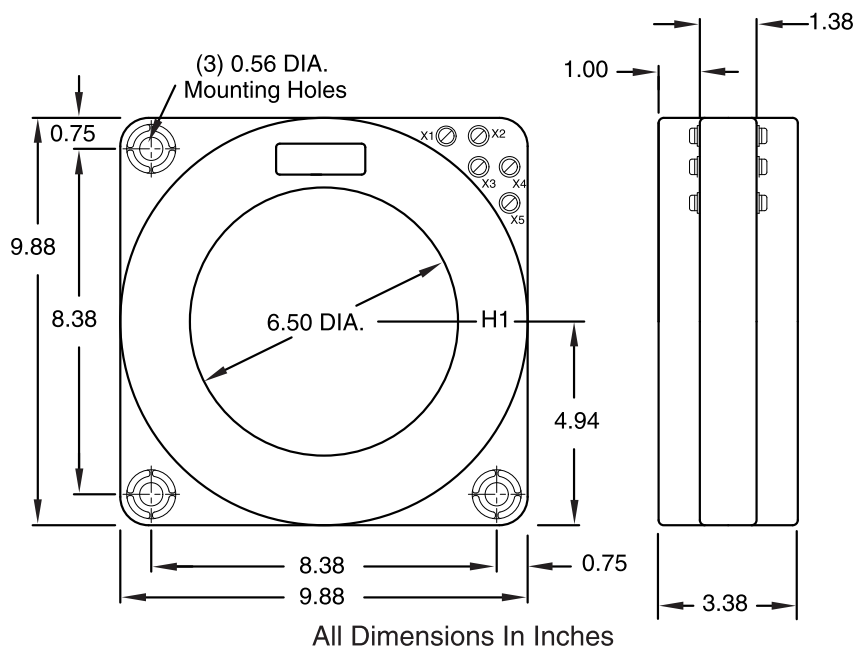
### SPECIFICATIONS

Frequency..... 50-400Hz  
 Insulation class..... 0.6kV, 10kV BIL Full Wave  
 Secondary Terminals..... Brass Studs No. 18-32 UNC  
 with one flatwasher, lockwasher, and one nut each.  
 Weight ..... Approximately 30 Lbs.  
 Manufactured to meet the requirements of ANSI/IEEE C57.13

### APPLICATION AND ORDERING DATA

CATALOG NUMBER	CURRENT RATIO	RELAY CLASS	ANSI METERING CLASS AT 60Hz					CONTINUOUS THERMAL RATING FACTOR		SECONDARY WINDING RESISTANCE OHMS @75°C
			B0.1	B0.2	B0.5	B0.9	B1.8	@30°C	@55°C	
780-500	50:5	-	4.8	--	--	--	--	2.0	1.5	0.020
780-101	100:5	C10	2.4	2.4	4.8	--	--	2.0	1.5	0.030
780-151	150:5	C20	1.2	1.2	2.4	4.8	--	2.0	1.5	0.043
780-201	200:5	C20	0.6	0.6	1.2	2.4	4.8	2.0	1.5	0.055
780-251	250:5	C20	0.6	0.6	1.2	1.2	2.4	2.0	1.5	0.067
780-301	300:5	C20	0.3	0.6	0.6	1.2	2.4	2.0	1.5	0.079
780-401	400:5	C50	0.3	0.3	0.6	0.6	1.2	2.0	1.5	0.102
780-501	500:5	C50	0.15	0.15	0.3	0.6	0.6	2.0	1.5	0.126
780-601	600:5	C100	0.15	0.15	0.3	0.3	0.6	2.0	1.5	0.150
780-801	800:5	C100	0.15	0.3	0.3	0.3	0.6	2.0	1.5	0.234
780-102	1000:5	C100	0.15	0.15	0.15	0.3	0.3	2.0	1.5	0.291
780-122	1200:5	C200	0.15	0.15	0.15	0.3	0.3	2.0	1.5	0.348
780-152	1500:5	C200	0.15	0.15	0.15	0.15	0.15	1.5	1.33	0.433
780-162	1600:5	C200	0.15	0.15	0.15	0.15	0.15	1.5	1.33	0.461
780-202	2000:5	C200	0.15	0.15	0.15	0.15	0.15	2.0	1.5	0.491
780-252	2500:5	C200	0.15	0.15	0.15	0.3	0.3	1.5	1.33	0.615
780-302	3000:5	C200	0.15	0.15	0.15	0.15	0.3	1.5	1.33	0.738
780-352	3500:5	C200	0.15	0.15	0.15	0.15	0.15	1.5	1.33	0.721
780-402	4000:5	C200	0.15	0.15	0.15	0.15	0.15	1.0	--	1.035
780-502	5000:5	C200	0.15	0.15	0.15	0.15	0.15	1.0	--	2.040
780-602	6000:5	C200	0.15	0.15	0.15	0.15	0.15	0.8	--	2.463

### DIMENSIONS



**FLEX-CORE®**  
 Div. Morlan & Associates, Inc.  
 4970 Scioto Darby Rd. Hilliard, Ohio 43026

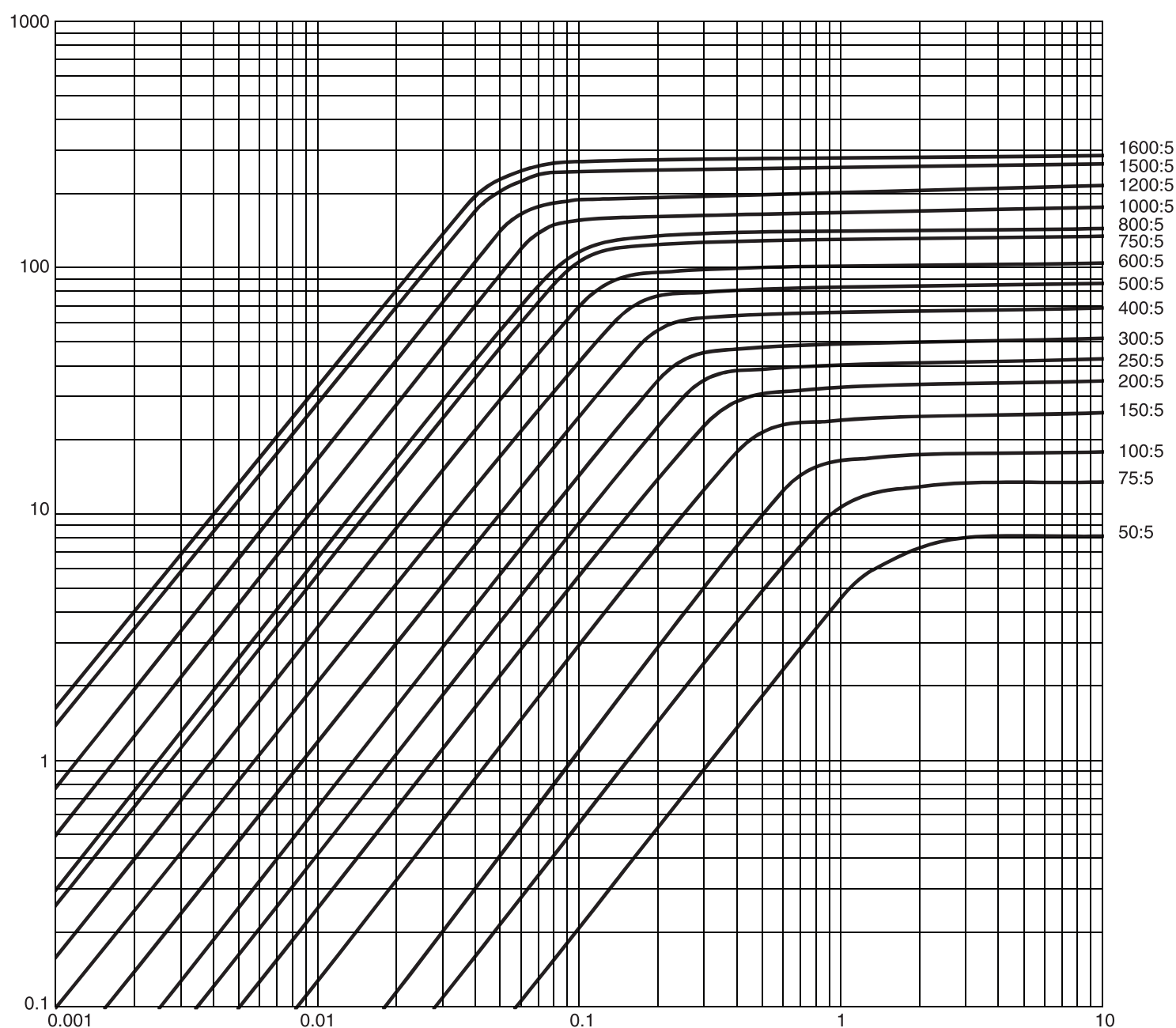
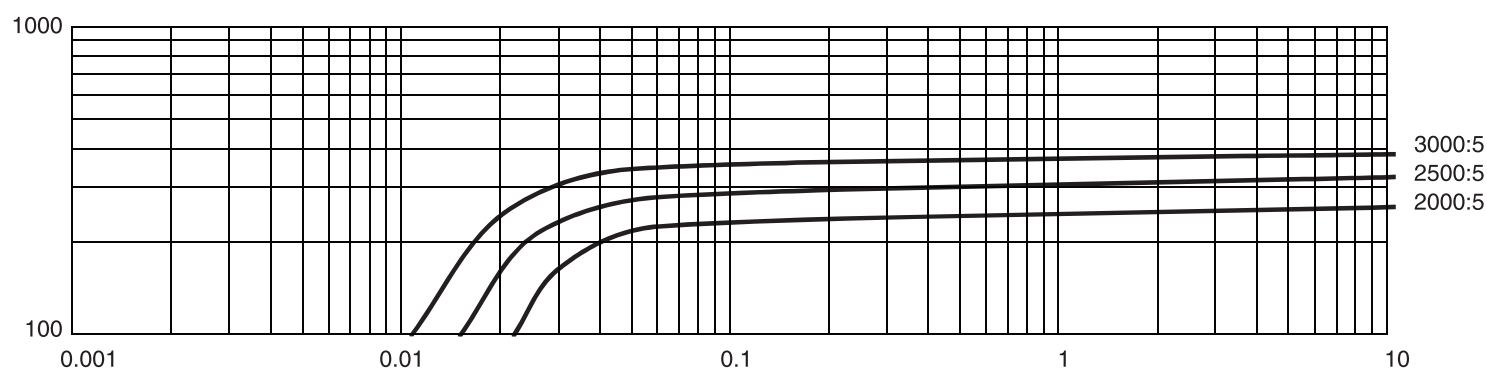
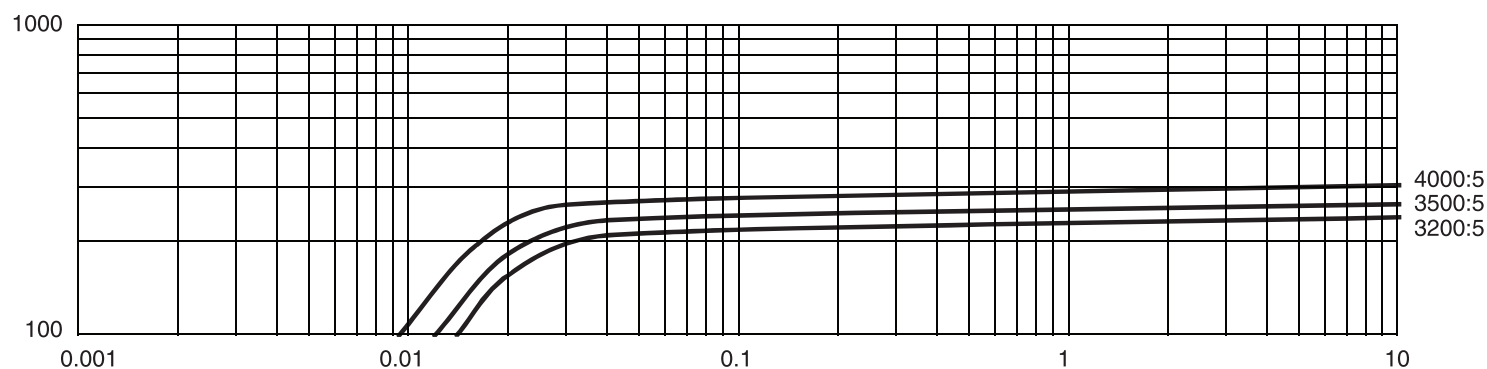
[WWW.FLEX-CORE.COM](http://WWW.FLEX-CORE.COM)  
 sales@flex-core.com

PHONE (614) 889-6152  
 TECH. ASSISTANCE (614) 876-8308  
 FAX # (614) 876-8538

# CURRENT TRANSFORMERS

## RELAY/METER CLASS CURRENT TRANSFORMER *MODEL 780*

### EXCITATION CURVE



<b>FLEX-CORE®</b> Div. Morlan & Associates, Inc. 4970 Scioto Darby Rd. Hilliard, Ohio 43026	<a href="http://WWW.FLEX-CORE.COM">WWW.FLEX-CORE.COM</a> sales@flex-core.com	PHONE (614) 889-6152 TECH. ASSISTANCE (614) 876-8308 FAX # (614) 876-8538
---	---	---

# CURRENT TRANSFORMERS

## MULTI-RATIO CURRENT TRANSFORMER

MODEL 781MR

CURRENT TRANSFORMERS

### MULTI-RATIO

#### FEATURES

- UL Recognized
- Window I.D. - 6.5"
- Relaying Applications
- Fits Many Switchgear Applications



#### SPECIFICATIONS

Frequency ..... 50-400Hz  
 Insulation Class ..... 0.6kV, 10kV BIL Full Wave  
 Terminals ..... Female Brass No. 10-32 UNC  
 with one flat washer, lock washer, and one brass pan head screw.  
 Weight ..... Approximately 31 Lbs.

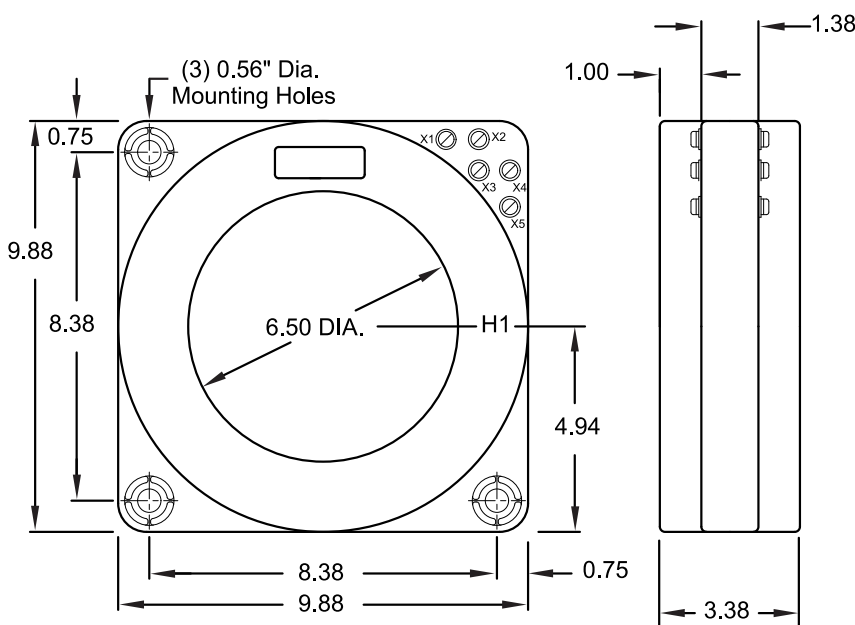
600V CLASS

Manufactured to meet the requirements of ANSI/IEEE C57.13

#### APPLICATION AND ORDERING DATA

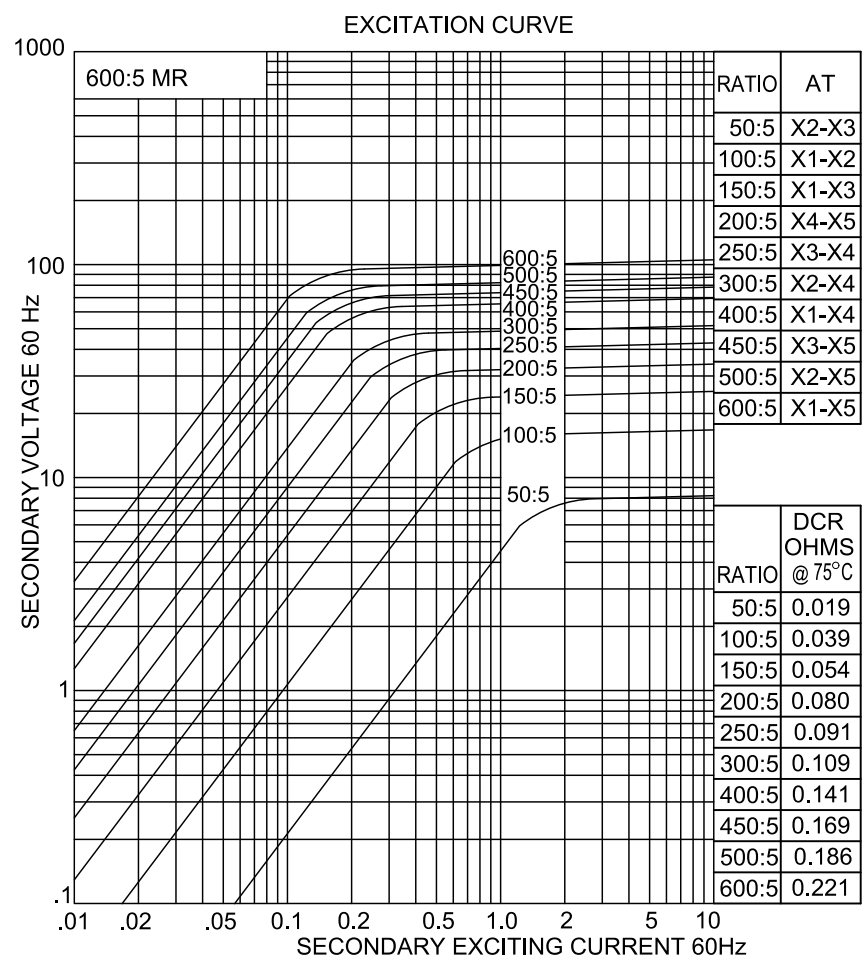
CATALOG NUMBER	MULTIPLE CURRENT RATIOS										RELAY CLASS	CONTINUOUS THERMAL RATING FACTOR	
												@30°C	@55°C
												781-601MR	50:5
781-122MR	100:5	200:5	300:5	400:5	500:5	600:5	800:5	900:5	1000:5	1200:5	C200	2.0	1.5
781-202MR	300:5	400:5	500:5	800:5	1100:5	1200:5	1500:5	1600:5	2000:5	-	C200	2.0	1.5
781-302MR	300:5	500:5	800:5	1000:5	1200:5	1500:5	2000:5	2200:5	2500:5	3000:5	C200	1.5	1.33
781-402MR	500:5	1000:5	1500:5	2000:5	2500:5	3000:5	3500:5	4000:5	-	-	C200	1.0	0.8

#### DIMENSIONS

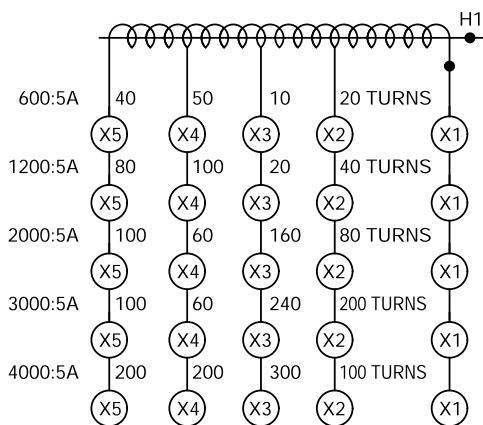


All Dimensions In Inches

#### EXCITATION CURVE



#### CONNECTIONS



**FLEX-CORE®**  
 Div. Morlan & Associates, Inc.  
 4970 Scioto Darby Rd. Hilliard, Ohio 43026

WWW.FLEX-CORE.COM  
 sales@flex-core.com

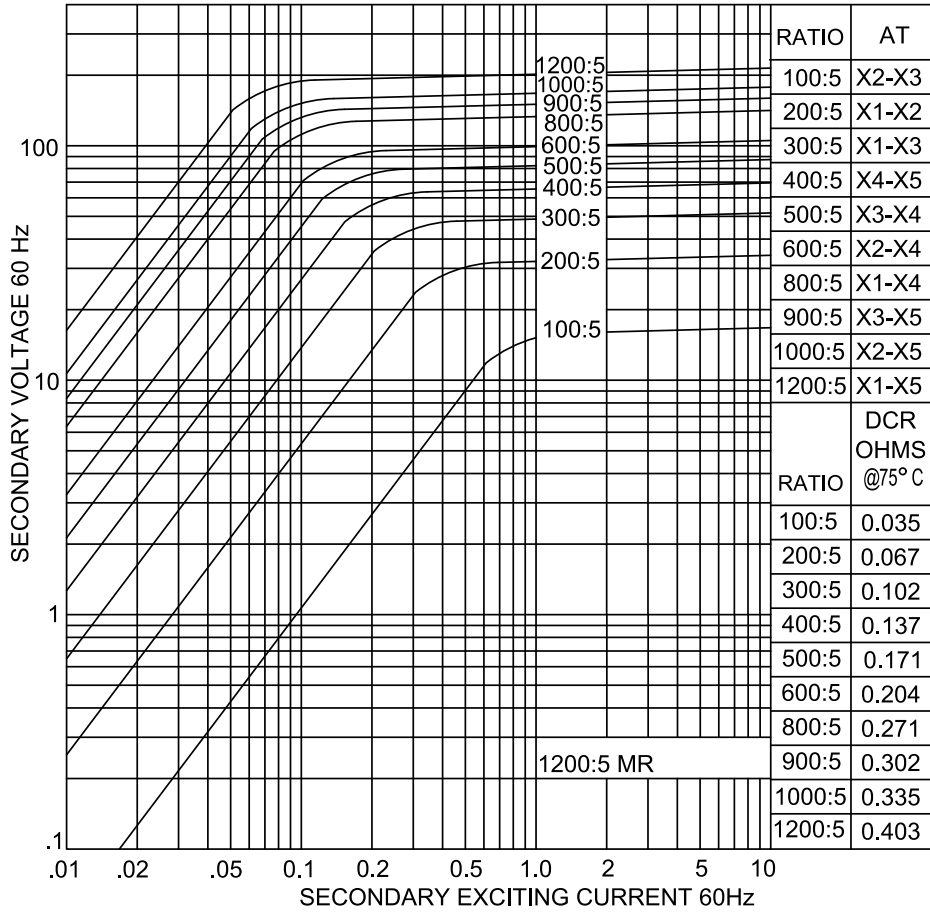
PHONE (614) 889-6152  
 TECH. ASSISTANCE (614) 876-8308  
 FAX # (614) 876-8538

# CURRENT TRANSFORMERS

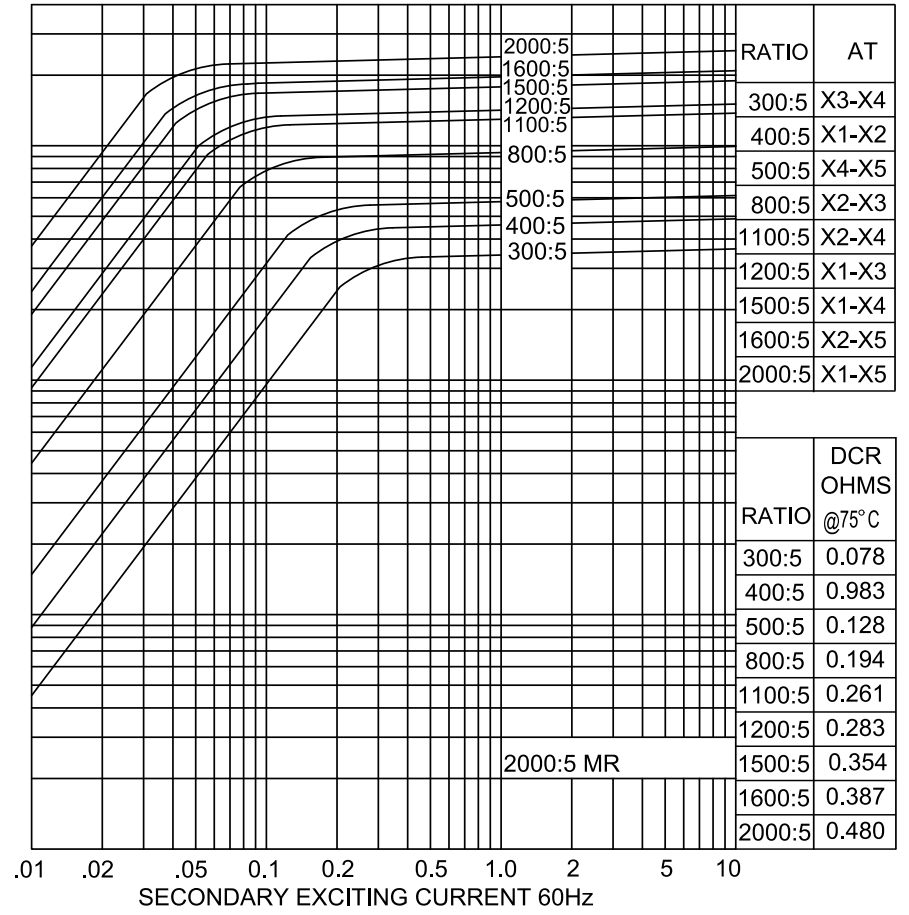
## EXCITATION CURVES

MODEL 781MR

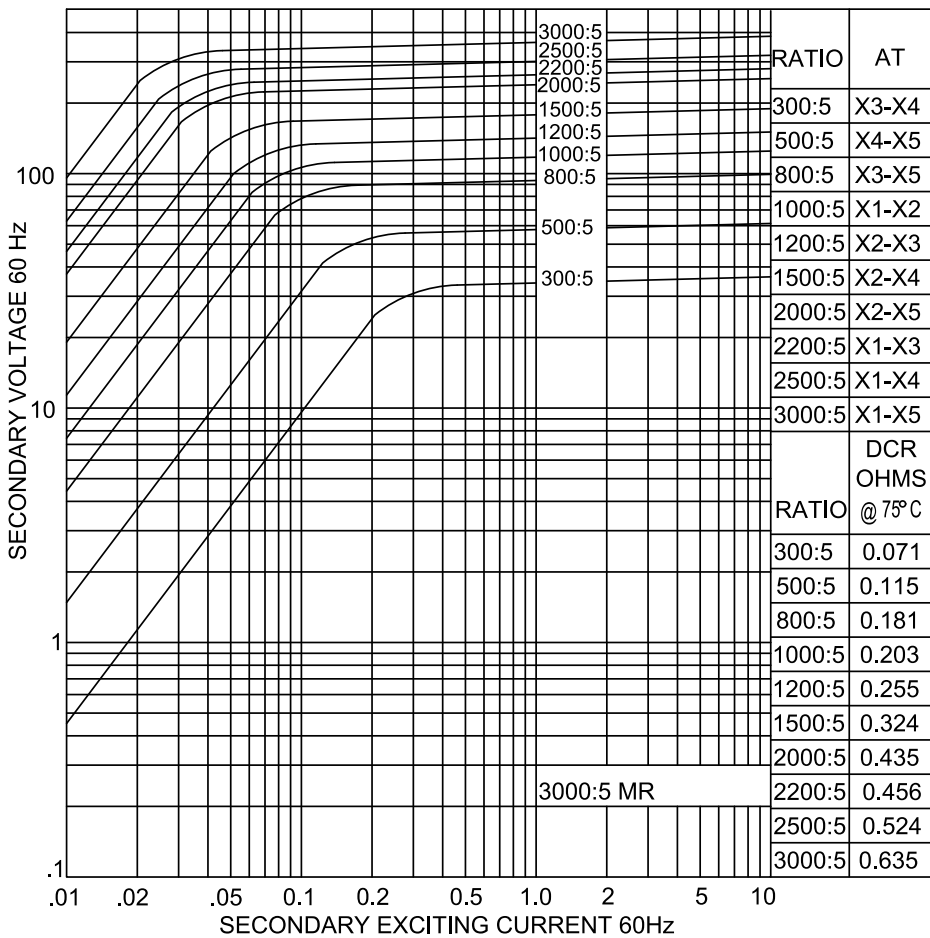
MODEL 781-122MR



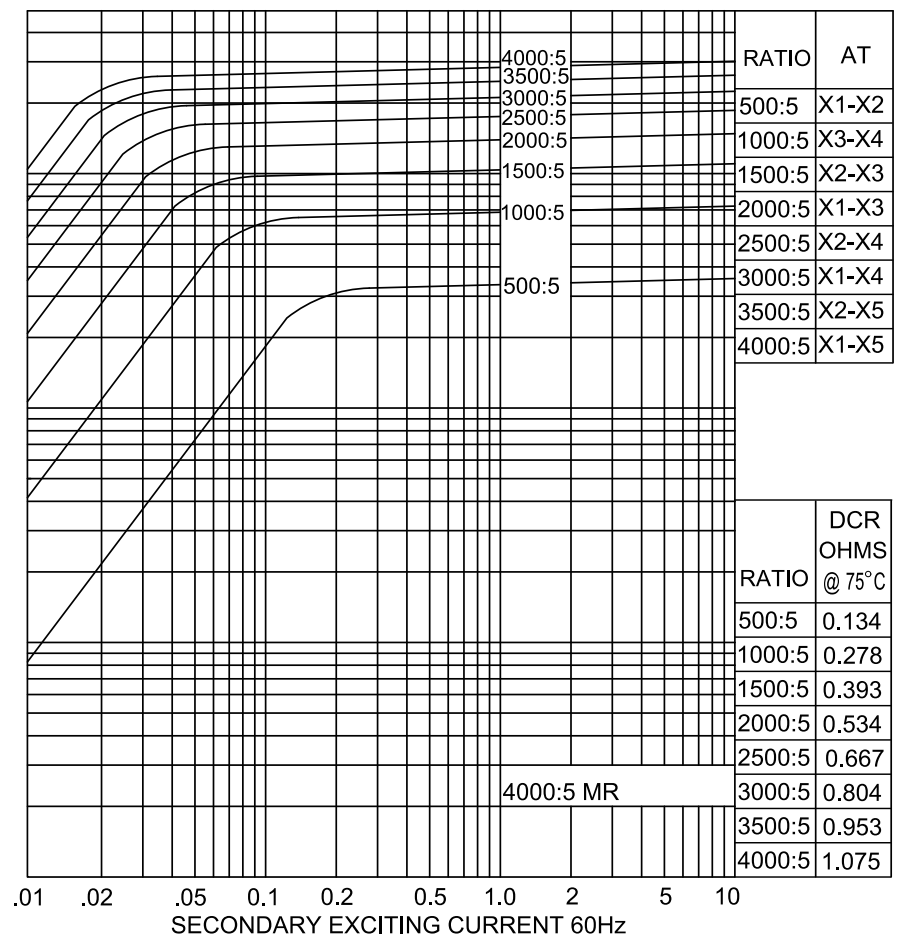
MODEL 781-202MR



MODEL 781-302MR



MODEL 781-402MR



# CURRENT TRANSFORMERS

## RELAY/METER CURRENT TRANSFORMER

MODEL 147

### FEATURES

- Relaying and Metering Applications
- Short time thermal rating factor: 75 X Rated Primary Current for 1 second
- Window I.D.-10.00"
- FOR INDOOR USE ONLY

600V CLASS



### SPECIFICATIONS

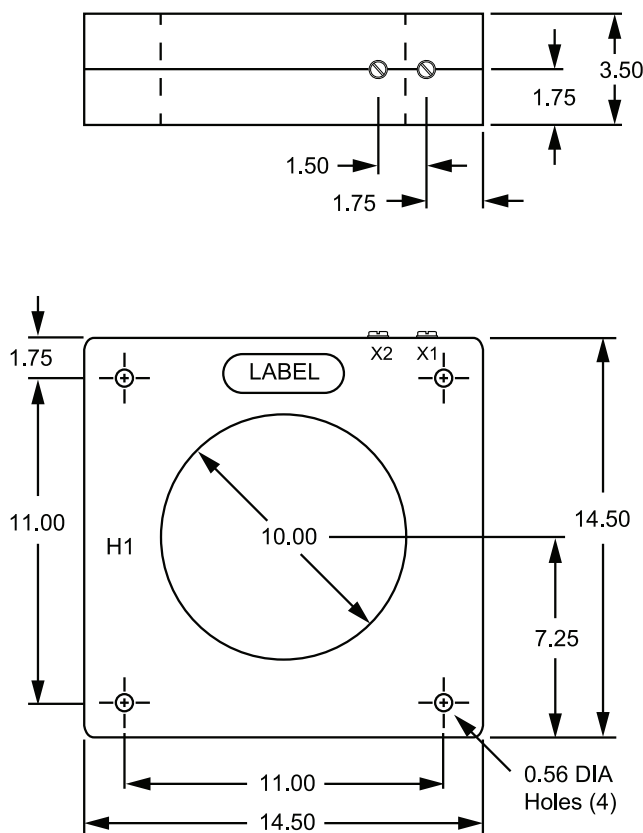
Frequency.....50-400Hz  
 Insulation Class ..... 0.6kV, 10kV BIL Full Wave  
 Terminals ..... Brass Screws No. 10-32  
 with one flat washer and lock washer  
 Weight ..... Approximately 50 Lbs.

Manufactured to meet the requirements of ANSI/IEEE C57.13

### APPLICATION AND ORDERING DATA

CATALOG NUMBER	CURRENT RATIO	RELAY CLASS	ANSI METERING CLASS AT 60Hz					RATING FACTOR AT 30°C AMBIENT	SECONDARY WINDING RESISTANCE (Ω @ 75°C)
			B0.1	B0.2	B0.5	B0.9	B1.8		
147-202	2000:5	C200	0.3	0.3	0.3	0.3	0.3	2.0	0.414
147-252	2500:5	C200	0.3	0.3	0.3	0.3	0.3	2.0	0.447
147-302	3000:5	C200	0.3	0.3	0.3	0.3	0.3	2.0	0.495
147-402	4000:5	C200	0.3	0.3	0.3	0.3	0.3	2.0	0.707
147-502	5000:5	C200	0.3	0.3	0.3	0.3	0.3	2.0	0.745
147-602	6000:5	C400	0.3	0.3	0.3	0.3	0.3	1.5	0.975
147-802	8000:5	C400	0.3	0.3	0.3	0.3	0.3	1.0	1.970
147-103	10000:5	C400	0.3	0.3	0.3	0.3	0.3	1.0	2.190

### DIMENSIONS



All Dimensions In Inches

**FLEX-CORE®**  
 Div. Morlan & Associates, Inc.  
 4970 Scioto Darby Rd. Hilliard, Ohio 43026

WWW.FLEX-CORE.COM  
 sales@flex-core.com

PHONE (614) 889-6152  
 TECH. ASSISTANCE (614) 876-8308  
 FAX # (614) 876-8538