

# CURRENT TRANSFORMERS

## SPLIT CORE CURRENT TRANSFORMER

MODEL FCL

FLEX-CORE® Circular and Rectangular Models



MADE IN U.S.A.



- Most Ratios in Stock
- Seven Inside Diameter Sizes
- 1 or 5 Amp Secondaries
- 0-.333V or 1.0V Secondaries
- Custom Inserts Available

### FEATURES

These split core current transformers are designed for easy installation over busbar or cable in order to provide a precise representation of the primary current. There are solutions for most commercially available meters and instrumentation.

### APPLICATIONS

- Watt Transducer
- Demand Meter
- Sub-Metering
- Current Transducer
- Power Factor Meter
- Instrumentation
- KWH Meter
- Current Sensing Relays
- Energy Management Systems

### SPECIFICATIONS

#### Construction

Directional silicon steel is used for the flexible core. Secondary windings are of copper. Unit is encapsulated in silicone rubber which protects against moisture, dirt, oil and corona, salinity, and UV.

**Insulation Level** .....0.72kV, 10kV BIL Full Wave

**Frequency** ..... 50-400Hz

**Thermal Factor** ..... 1.25 at 30°C, 1.0 at 55°C

**Operating Temp Range**..... -45°C to +55°C

**Altitude** ..... Up to 4000 Meters

**Accuracy** ..... 200:5 thru 300:5 ..... 4%  
 400:5 thru 500:5 ..... 3%  
 600:5 thru 800:5 ..... 2%  
 1000:5 thru 6000:5 ..... 1%

**Secondary Leads**..... 12 Ft. with Spade Connectors  
 Custom lead lengths are available.

**Color** .....Transformer (red) - Leads (yellow)

**Remains flexible from -45°C to +200°C**

**Meets IEC 61869 Standards**

Caution: Current transformers are to be installed by qualified technicians only. The main conductor should be de-energized before installation.

### ORDERING INFORMATION

FCL X X X X / X - X

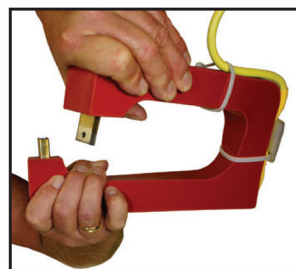
RATIO

I.D.

-4 -6 -8 -11 -18 -R -R411

Example: 1000A Split Core with  
 6" Inside Diameter  
**FCL1000/5-6**

**Note: Open split core with a twisting motion only.**



**FLEX-CORE®**  
 Div. Morlan & Associates, Inc.  
 4970 Scioto Darby Rd. Hilliard, Ohio 43026

**WWW.FLEX-CORE.COM**  
 sales@flex-core.com

**PHONE** (614) 889-6152  
**TECH. ASSISTANCE** (614) 876-8308  
**FAX #** (614) 876-8538

# CURRENT TRANSFORMERS

## SPLIT CORE CURRENT TRANSFORMERS

MODEL FCL

CURRENT TRANSFORMERS

### SPECIFICATIONS: 5 AMP SECONDARY MODELS

CURRENT RATIO	INSIDE DIAMETER						BURDEN CAPACITY	ACCURACY	
	ROUND					RECTANGLE			
	4"	6"	8"	11"	18"	-R			-R411
200/5	X	-	-	-	-	-	-	2VA	4%
250/5	X	-	-	-	-	-	-	2VA	4%
300/5	X	X	-	-	-	-	-	2VA	4%
400/5	X	X	-	-	-	X	-	2VA	3%
500/5	X	X	-	-	-	X	-	3VA	3%
600/5	X	X	-	-	-	X	-	5VA	2%
800/5	X	X	-	-	-	X	-	2VA	1%
1000/5	X	X	X	-	-	X	-	5VA	1%
1200/5	X	X	X	-	-	X	-	5VA	1%
1500/5	X	X	X	X	-	X	X	15VA	1%
1600/5	X	X	X	X	-	X	X	15VA	1%
2000/5	X	X	X	X	X	X	X	25VA	1%
2400/5	-	X	X	X	X	X	X	30VA	1%
2500/5	-	X	X	X	X	X	X	35VA	1%
3000/5	-	X	X	X	X	X	X	45VA	1%
3500/5	-	X	X	X	X	X	X	45VA	1%
4000/5	-	X	X	X	X	X	X	45VA	1%
5000/5	-	-	X	X	X	-	X	45VA	1%
6000/5	-	-	-	X	X	-	X	45VA	1%

AVERAGE	4"	6"	8"	11"	18"	(R) 2 3/4"x6 5/8"	(R411) 4"x11"
WEIGHT	4.00 Lbs.	6.00 Lbs.	7.00 Lbs.	9.00 Lbs.	17 Lbs.	6.00 Lbs.	8.00 Lbs.

### SPECIFICATIONS: 1 AMP SECONDARY MODELS

CURRENT RATIO	INSIDE DIAMETER						BURDEN ( $\Omega$ )	ACCURACY	
	ROUND					RECTANGLE			
	4"	6"	8"	11"	18"	-R			-R411
200/1	X	-	-	-	-	-	-	0.5	1%
250/1	X	-	-	-	-	-	-	0.5	1%
300/1	X	-	-	-	-	-	-	0.5	1%
400/1	X	-	-	-	-	-	-	0.9	1%
500/1	X	X	-	-	-	X	-	2.0	1%
600/1	X	X	-	-	-	X	-	3.0	1%
800/1	X	X	-	-	-	X	-	5.0	1%
1000/1	X	X	X	-	-	X	X	10.0	1%
1200/1	-	X	X	-	-	X	X	15.0	1%
1500/1	-	X	X	X	-	X	X	15.0	1%
1600/1	-	X	X	X	-	X	X	15.0	1%
2000/1	-	X	X	X	X	-	X	18.0	1%
2400/1	-	-	X	X	X	-	X	20.0	1%
2500/1	-	-	X	X	X	-	X	20.0	1%
3000/1	-	-	-	X	X	-	-	20.0	1%

AVERAGE	4"	6"	8"	11"	18"	(R) 2 3/4"x6 5/8"	(R411) 4"x11"
WEIGHT	5.00 Lbs.	7.00 Lbs.	8.00 Lbs.	9.50 Lbs.	18 Lbs.	7.00 Lbs.	8.50 Lbs.

**FLEX-CORE®**  
 Div. Morlan & Associates, Inc.  
 4970 Scioto Darby Rd. Hilliard, Ohio 43026

WWW.FLEX-CORE.COM  
 sales@flex-core.com

PHONE (614) 889-6152  
 TECH. ASSISTANCE (614) 876-8308  
 FAX # (614) 876-8538

## CURRENT TRANSFORMERS

## SPLIT CORE CURRENT TRANSFORMERS

MODEL FCL

## SPECIFICATIONS: 1.0 VOLT SECONDARY MODELS

CURRENT RATIO	INSIDE DIAMETER							ACCURACY
	ROUND					RECTANGLE		
	4"	6"	8"	11"	18"	-R	-R411	
200/1Vac	X	-	-	-	-	-	-	1%
250/1Vac	X	-	-	-	-	-	-	1%
300/1Vac	X	-	-	-	-	-	-	1%
400/1Vac	X	-	-	-	-	-	-	1%
500/1Vac	X	X	-	-	-	X	-	1%
600/1Vac	X	X	-	-	-	X	-	1%
800/1Vac	X	X	-	-	-	X	-	1%
1000/1Vac	X	X	X	-	-	X	X	1%
1200/1Vac	-	X	X	-	-	X	X	1%
1500/1Vac	-	X	X	X	-	X	X	1%
1600/1Vac	-	X	X	X	-	X	X	1%
2000/1Vac	-	X	X	X	X	-	X	1%
2400/1Vac	-	-	-	X	X	-	X	1%
2500/1Vac	-	-	-	X	X	-	X	1%
3000/1Vac	-	-	-	X	X	-	-	1%

AVERAGE WEIGHT	4"	6"	8"	11"	18"	(R) 2 3/4"x6 5/8"	(R411) 4"x11"
	5.00 Lbs.	7.00 Lbs.	8.00 Lbs.	9.00 Lbs.	18 Lbs.	7.00 Lbs.	8.50 Lbs.

## SPECIFICATIONS: 0.333 VOLT SECONDARY MODELS

CURRENT RATIO	INSIDE DIAMETER							ACCURACY
	ROUND					RECTANGLE		
	4"	6"	8"	11"	18"	-R	-R411	
200/0.333Vac	X	-	-	-	-	-	-	1%
250/0.333Vac	X	-	-	-	-	-	-	1%
300/0.333Vac	X	-	-	-	-	-	-	1%
400/0.333Vac	X	-	-	-	-	-	-	1%
500/0.333Vac	X	X	-	-	-	X	-	1%
600/0.333Vac	X	X	-	-	-	X	-	1%
800/0.333Vac	X	X	-	-	-	X	-	1%
1000/0.333Vac	X	X	X	-	-	X	X	1%
1200/0.333Vac	X	X	X	-	-	X	X	1%
1500/0.333Vac	X	X	X	X	-	X	X	1%
1600/0.333Vac	X	X	X	X	X	X	X	1%
2000/0.333Vac	-	X	X	X	X	X	X	1%
2400/0.333Vac	-	X	X	X	X	X	X	1%
2500/0.333Vac	-	X	X	X	X	X	X	1%
3000/0.333Vac	-	X	X	X	X	X	X	1%
3500/0.333Vac	-	X	X	X	X	X	X	1%
4000/0.333Vac	-	X	X	X	X	X	X	1%
5000/0.333Vac	-	-	X	X	X	-	X	1%
6000/0.333Vac	-	-	X	X	X	-	X	1%

AVERAGE WEIGHT	4"	6"	8"	11"	18"	(R) 2 3/4"x6 5/8"	(R411) 4"x11"
	4.00 Lbs.	6.00 Lbs.	7.00 Lbs.	9.00 Lbs.	17 Lbs.	6.00 Lbs.	8.00 Lbs.

**FLEX-CORE®**

Div. Morlan &amp; Associates, Inc.

4970 Scioto Darby Rd. Hilliard, Ohio 43026

WWW.FLEX-CORE.COM

sales@flex-core.com

PHONE (614) 889-6152

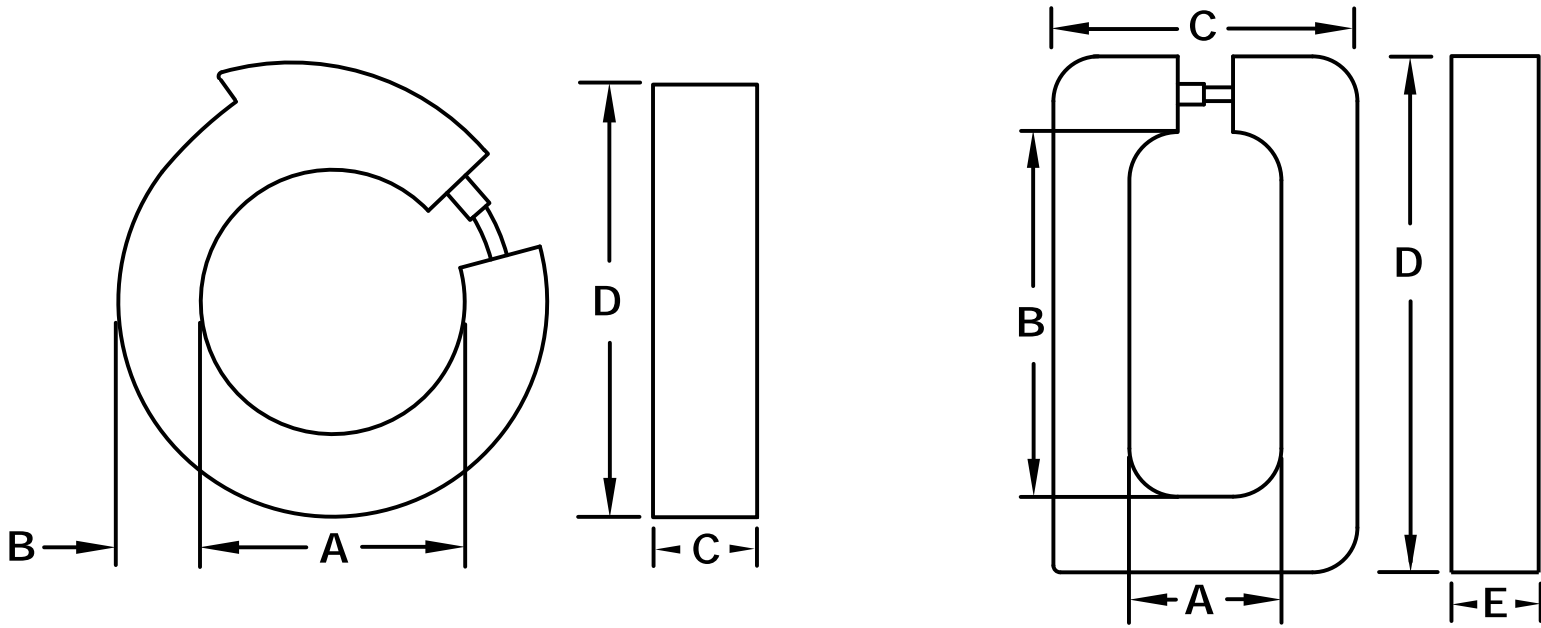
TECH. ASSISTANCE (614) 876-8308

FAX # (614) 876-8538

# CURRENT TRANSFORMERS

## SPLIT CORE CURRENT TRANSFORMERS MODEL FCL

### DIMENSIONS



INSIDE DIAMETER	CIRCULAR			
A	B	C	D	MODEL
4	1 1/4	1 1/2	6 1/2	-4
6	1 1/4	1 1/2	8 1/2	-6
8	1 1/4	1 1/2	10 1/2	-8
11	1 1/4	1 1/2	13 1/2	-11
18	1 1/4	1 1/2	20 1/2	-18

INSIDE DIAMETER	RECTANGULAR				
A	B	C	D	E	MODEL
2 3/4	6 5/8	5 1/2	9 3/8	1 1/2	-R
4	11	6 1/2	13 3/8	1 1/2	-R411
All Dimensions In Inches Black Wire = X1 White Wire = X2					

## CUSTOM INSERTS FOR FCL, FC CURRENT TRANSFORMERS

### FEATURES

- Silicone rubber inserts (split, solid, customized)
- Custom cutouts to fit buss or cable sizes
- Designed to make installations easier
- Makes installation look cleaner
- Fits exact I.D. of 4", 6", 8", 11", 18", R, or R411 model FCL or FC Current Transformers
- May be used on indoor or \*outdoor applications  
\*Model FC only

### SPECIFICATIONS

- Silicone rubber
- Offers added isolations of 575V/Mil insulation
- Remains Flexible from -45°C to +200°C
- Orange Color



# CURRENT TRANSFORMERS

## SPLIT CORE CURRENT TRANSFORMER

MODEL FC

FLEX-CORE® Circular and Rectangular Models



MADE IN U.S.A.



- Seven Inside Diameter Sizes
- 1 or 5 Amp Secondaries
- 0-.333V or 1.0V Secondaries
- Custom Inserts Available
- Custom Ratios and Secondaries Available Upon Request.

**For Indoor or Outdoor Use**  
Request Mastic Pads for outdoor use.

### FEATURES

These split core current transformers are designed for easy installation over busbar or cable to provide a precise representation of the primary current. There are solutions available for most commercially available meters and instrumentation.

### APPLICATIONS

- Watt Transducer
- Demand Meter
- Sub-Metering
- Current Transducer
- Power Factor Meter
- Instrumentation
- KWH Meter
- Current Sensing Relays
- Energy Management Systems

### SPECIFICATIONS

#### Construction

Directional silicon steel is used for the flexible core. Secondary windings are of copper. Unit is encapsulated in silicone rubber which protects against moisture, dirt, oil and corona, salinity, and UV.

**Insulation Level** .....0.72kV, 10kV BIL Full Wave  
**Frequency** ..... 50-400Hz

#### Safety Factor (5Amp secondary units only)

A self-contained voltage clamping circuit prevents dangerous high voltage across the secondary windings in case of accidental opening of the output leads when the primary circuit is energized. This circuit will trigger within 10 microseconds when the secondary voltage rises to 40 volts or more, clamping the output to less than 1 volt.

**Thermal Factor** ..... 1.25 at 30°C, 1.0 at 55°C

**Operating Temp Range**..... -45°C to +55°C

**Altitude** ..... Up to 4000 Meters

**Accuracy** .....2500:5 thru 6000:5 ..... 1%

**Secondary Leads**..... 12 Ft. with Spade Connectors  
Custom lead lengths are available.

**Color** .....Transformer (red) - Leads (yellow)

**Remains flexible from -45°C to +200°C**

**Meets IEC 61869 Standards**

Caution: Current transformers are to be installed by qualified technicians only. The main conductor should be de-energized before installation.

### ORDERING INFORMATION

FC XXXX/X - X

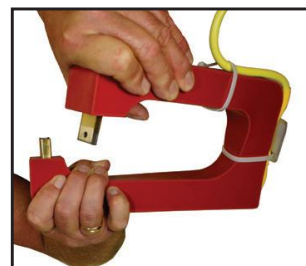
RATIO

I.D.

-4 -6 -8 -11 -18 -R -R411

Example: 5000A Split Core with  
6" Inside Diameter  
FC5000/5-6

**Note: Open split core with a twisting motion only.**



**FLEX-CORE®**  
Div. Morlan & Associates, Inc.  
4970 Scioto Darby Rd. Hilliard, Ohio 43026

**WWW.FLEX-CORE.COM**  
sales@flex-core.com

**PHONE** (614) 889-6152  
**TECH. ASSISTANCE** (614) 876-8308  
**FAX #** (614) 876-8538

# CURRENT TRANSFORMERS

## SPLIT CORE CURRENT TRANSFORMERS

MODEL FC

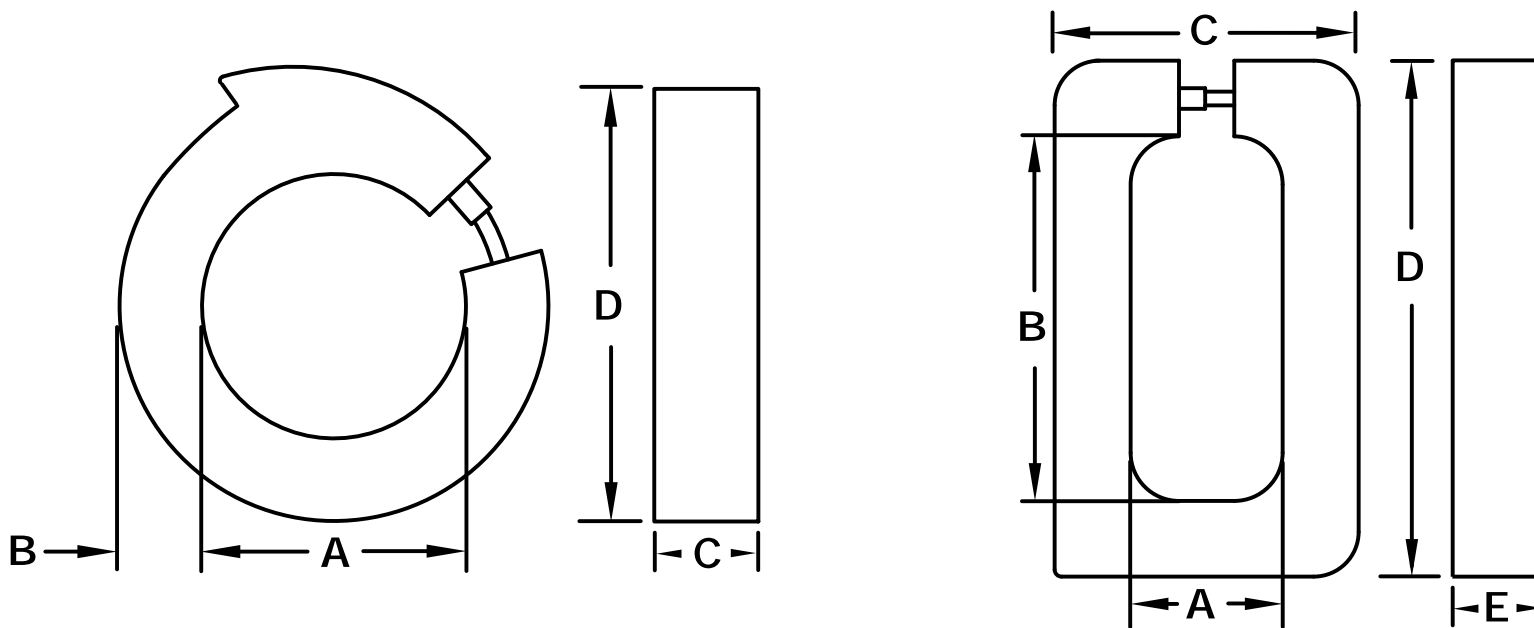
### SPECIFICATIONS: 5 AMP SECONDARY MODELS

CURRENT RATIO	INSIDE DIAMETER						BURDEN CAPACITY	ACCURACY	
	ROUND			RECTANGLE					
	4"	6"	8"	11"	18"	-R			-R411
200/5	*	-	-	-	-	-	-	*	*
250/5	*	-	-	-	-	-	-	*	*
300/5	*	*	-	-	-	-	-	*	*
400/5	*	*	-	-	-	*	-	*	*
500/5	*	*	-	-	-	*	-	*	*
600/5	*	*	-	-	-	*	-	*	*
800/5	*	*	-	-	-	*	-	*	*
1000/5	*	*	*	-	-	*	-	*	*
1200/5	*	*	*	-	-	*	-	*	*
1500/5	*	*	*	*	-	*	*	*	*
1600/5	*	*	*	*	-	*	*	*	*
2000/5	*	*	*	*	*	*	*	*	*
2400/5	-	*	*	*	*	*	*	*	*
2500/5	-	X	X	X	X	X	X	35VA	1%
3000/5	-	X	X	X	X	X	X	45VA	1%
3500/5	-	X	X	X	X	X	X	45VA	1%
4000/5	-	X	X	X	X	X	X	45VA	1%
5000/5	-	X	X	X	X	X	X	45VA	1%
6000/5	-	X	X	X	X	X	X	45VA	1%

\*Order as FCL Units. They are identical units and sold as model FCL.

AVERAGE WEIGHT	4"	6"	8"	11"	18"	(R) 2 3/4"x6 5/8"	(R411) 4"x11"
	4.00 Lbs.	6.00 Lbs.	7.00 Lbs.	9.00 Lbs.	17 Lbs.	6.00 Lbs.	8.00 Lbs.

### DIMENSIONS



INSIDE DIAMETER	CIRCULAR				MODEL
A	B	C	D		
4	1 1/4	1 1/2	6 1/2		-4
6	1 1/4	1 1/2	8 1/2		-6
8	1 1/4	1 1/2	10 1/2		-8
11	1 1/4	1 1/2	13 1/2		-11
18	1 1/4	1 1/2	20 1/2		-18

INSIDE DIAMETER	RECTANGULAR					MODEL
A	B	C	D	E		
2 3/4	6 5/8	5 1/2	9 3/8	1 1/2		-R
4	11	6 1/2	13 3/8	1 1/2		-R411

All Dimensions In Inches  
Black Wire = X1  
White Wire = X2

**FLEX-CORE®**  
Div. Morlan & Associates, Inc.  
4970 Scioto Darby Rd. Hilliard, Ohio 43026

WWW.FLEX-CORE.COM  
sales@flex-core.com

PHONE (614) 889-6152  
TECH. ASSISTANCE (614) 876-8308  
FAX # (614) 876-8538

# CURRENT TRANSFORMERS

## RELAY CLASS SPLIT CORE CURRENT TRANSFORMER MODEL FCR

- Custom Primaries and Secondaries Available Upon Request
- For Use Over Insulated Bus • For Indoor Use

MADE IN U.S.A.



### FEATURES

These split core current transformers are designed for easy installation over busbar or cable to provide a precise representation of the primary current. There are solutions available for most commercially available meters and instrumentation.

### APPLICATIONS

- Watt Transducer
- Demand Meter
- Energy Management Systems
- Current Transducer
- Power Factor Meter
- KWH Meter
- Current Sensing Relays

### SPECIFICATIONS

#### Construction

Directional silicon steel is used for the core. Secondary windings are of copper. Unit is wrapped with heat set polyester and varnish impregnated.

**Insulation Level**.....0.6kV, 10kV BIL Full Wave

**Frequency** ..... 60Hz

**Thermal Factor** ..... Refer to Chart

**Operating Temp Range**..... 0°C to +105°C

**Accuracy** ..... Refer to Chart

**Secondary Terminals**.....10-32 Screws (11 in. lbs. max)

Meets IEEE C57.13 Standards



FCR800/5-R

### ORDERING INFORMATION

FCR X X X X / X - X

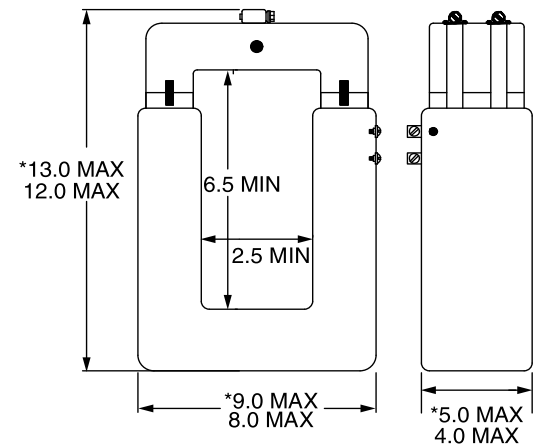
RATIO  
MODEL

-R, -RZ, -R411

Example: 5000A Split Core with 4"x11" Inside Diameter  
FCR5000/5-R411

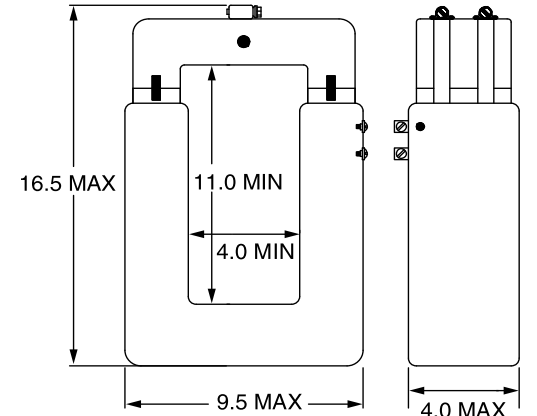
### DIMENSIONS

#### MODEL -R (\*-RZ)



Weight  
-RZ.....55 Lbs.  
-R.....30 Lbs.

#### MODEL -R411



Weight  
-R411.....40 Lbs.

All dimensions in inches.

-R and -RZ SPECIFICATIONS								
CATALOG NUMBER	CURRENT RATIO	RELAY CLASS	ANSI METERING CLASS AT 60Hz					CONTINUOUS THERMAL RATING FACTOR @30°C
			B0.1	B0.2	B0.5	B0.9	B1.8	
FCR50/5-RZ*	50:5	C10	--	--	--	--	--	2.0
FCR100/5-RZ*	100:5	C20	--	--	--	--	--	2.0
FCR200/5-R	200:5	C20	2.4	--	--	--	--	1.5
FCR300/5-R	300:5	C30	1.2	--	--	--	--	1.5
FCR400/5-R	400:5	C50	1.2	--	--	--	--	1.5
FCR600/5-R	600:5	C75	0.6	--	--	--	--	1.5
FCR800/5-R	800:5	C100	0.3	0.6	--	--	--	1.5
FCR1000/5-R	1000:5	C100	0.3	0.3	--	--	--	1.33
FCR1200/5-R	1200:5	C125	0.3	0.3	0.6	--	--	1.33
FCR1500/5-R	1500:5	C150	0.3	0.3	0.3	0.6	--	1.33
FCR1600/5-R	1600:5	C150	0.3	0.3	0.3	0.6	--	1.33
FCR2000/5-R	2000:5	C200	0.3	0.3	0.3	0.3	0.6	1.33
FCR3000/5-R	3000:5	C300	0.3	0.3	0.3	0.3	0.3	1.0

-R411 SPECIFICATIONS								
CATALOG NUMBER	CURRENT RATIO	RELAY CLASS	ANSI METERING CLASS AT 60Hz					CONTINUOUS THERMAL RATING FACTOR @30°C
			B0.1	B0.2	B0.5	B0.9	B1.8	
FCR600/5-R411	600:5	C75	0.6	--	--	--	--	1.5
FCR800/5-R411	800:5	C100	0.3	0.6	--	--	--	1.5
FCR1000/5-R411	1000:5	C100	0.3	0.3	--	--	--	1.33
FCR1200/5-R411	1200:5	C125	0.3	0.3	0.6	--	--	1.33
FCR1500/5-R411	1500:5	C150	0.3	0.3	0.3	0.6	--	1.33
FCR1600/5-R411	1600:5	C150	0.3	0.3	0.3	0.6	--	1.33
FCR2000/5-R411	2000:5	C200	0.3	0.3	0.3	0.3	0.6	1.33
FCR2500/5-R411	2500:5	C250	0.3	0.3	0.3	0.3	0.3	1.33
FCR3000/5-R411	3000:5	C300	0.3	0.3	0.3	0.3	0.3	1.33
FCR4000/5-R411	4000:5	C300	0.3	0.3	0.3	0.3	0.3	1.0
FCR5000/5-R411	5000:5	C400	0.3	0.3	0.3	0.3	0.3	1.0

**FLEX-CORE®**

Div. Morlan & Associates, Inc.

4970 Scioto Darby Rd. Hilliard, Ohio 43026

WWW.FLEX-CORE.COM

sales@flex-core.com

PHONE (614) 889-6152

TECH. ASSISTANCE (614) 876-8308

FAX # (614) 876-8538

# CURRENT TRANSFORMERS

## SPLIT CORE CURRENT TRANSFORMER MODEL 4LSF

High Accuracy Revenue Grade Split Core Current Transformer

### DESCRIPTION

The split core CTs are compact current transformers with high accuracy. The CTs are ideal for quick and easy installation without disconnecting cables during installation. Multiple installation mechanisms provide stable and durable current measurement.

### 600V CLASS

### FEATURES

- 333mV Output, Class 0.2 Accuracy
- Simple take apart style
- Can be installed on cable or bus
- 2.09" x 3.14" or 4.03" x 4.50" window sizes available
- Listed to UL2808, 61010-1, and CSA 22.2

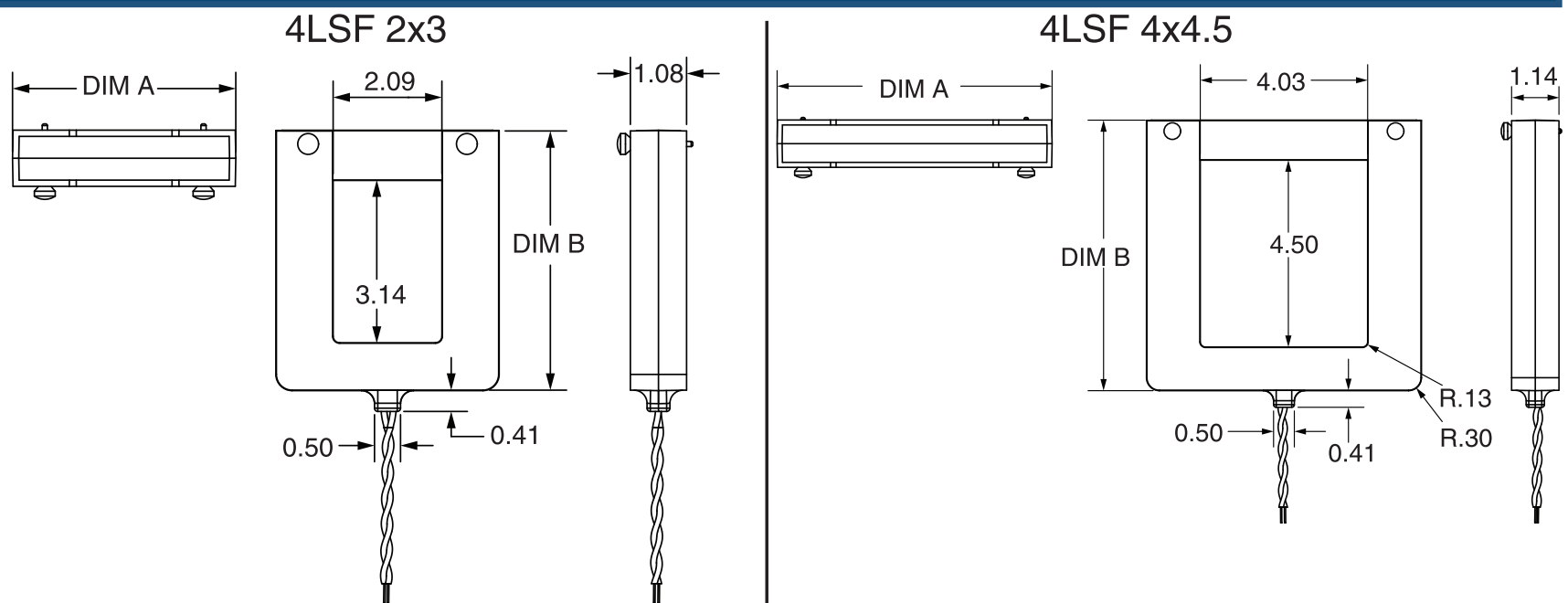
### SPECIFICATIONS

Rated Primary Current ..... 400A to 2400A  
 Rated Output ..... 333mV  
 Rating Factor ..... 1.33 @ 30°C Ambient  
 Voltage Rating ..... 600Vac, rated CAT IV  
 Operating Ambient Temperature..... -40°C to 55°C  
 Accuracy ..... IEC60044-1 0.2 Class  
 Leads ..... 8' 18AWG twisted



CATALOG NUMBER	ACCURACY	INPUT RATING	OUTPUT	DIMENSIONS		WEIGHT
				DIM A	DIM B	
4LSF-400A:333mV-2x3	0.2	400A	0.333Vac	4.25	5.00	1.5 Lbs.
4LSF-500A:333mV-2x3	0.2	500A	0.333Vac	4.25	5.00	1.5 Lbs.
4LSF-600A:333mV-2x3	0.2	600A	0.333Vac	4.25	5.00	1.5 Lbs.
4LSF-800A:333mV-2x3	0.2	800A	0.333Vac	4.625	5.25	1.5 Lbs.
4LSF-1000A:333mV-2x3	0.2	1000A	0.333Vac	4.625	5.25	1.5 Lbs.
4LSF-1200A:333mV-4x4.5	0.2	1200A	0.333Vac	6.62	6.50	3.0 Lbs.
4LSF-1500A:333mV-4x4.5	0.2	1500A	0.333Vac	7.25	7.25	3.0 Lbs.
4LSF-1600A:333mV-4x4.5	0.2	1600A	0.333Vac	7.25	7.25	3.0 Lbs.
4LSF-2000A:333mV-4x4.5	0.2	2000A	0.333Vac	7.25	7.25	3.0 Lbs.
4LSF-2400A:333mV-4x4.5	0.2	2400A	0.333Vac	7.25	7.25	3.0 Lbs.

### DIMENSIONS



All Dimensions In Inches

**FLEX-CORE®**  
 Div. Morlan & Associates, Inc.  
 4970 Scioto Darby Rd. Hilliard, Ohio 43026

[WWW.FLEX-CORE.COM](http://WWW.FLEX-CORE.COM)  
 sales@flex-core.com

PHONE (614) 889-6152  
 TECH. ASSISTANCE (614) 876-8308  
 FAX # (614) 876-8538



# CURRENT TRANSFORMERS

## SPLIT CORE CURRENT TRANSFORMER

MODEL LN4F

High Accuracy Revenue Grade Split Core Current Transformer

### DESCRIPTION

The split core CTs are compact current transformers with high accuracy. The CTs are ideal for quick and easy installation without disconnecting cables during installation. Multiple installation mechanisms provide stable and durable current measurement.

600V CLASS



### FEATURES

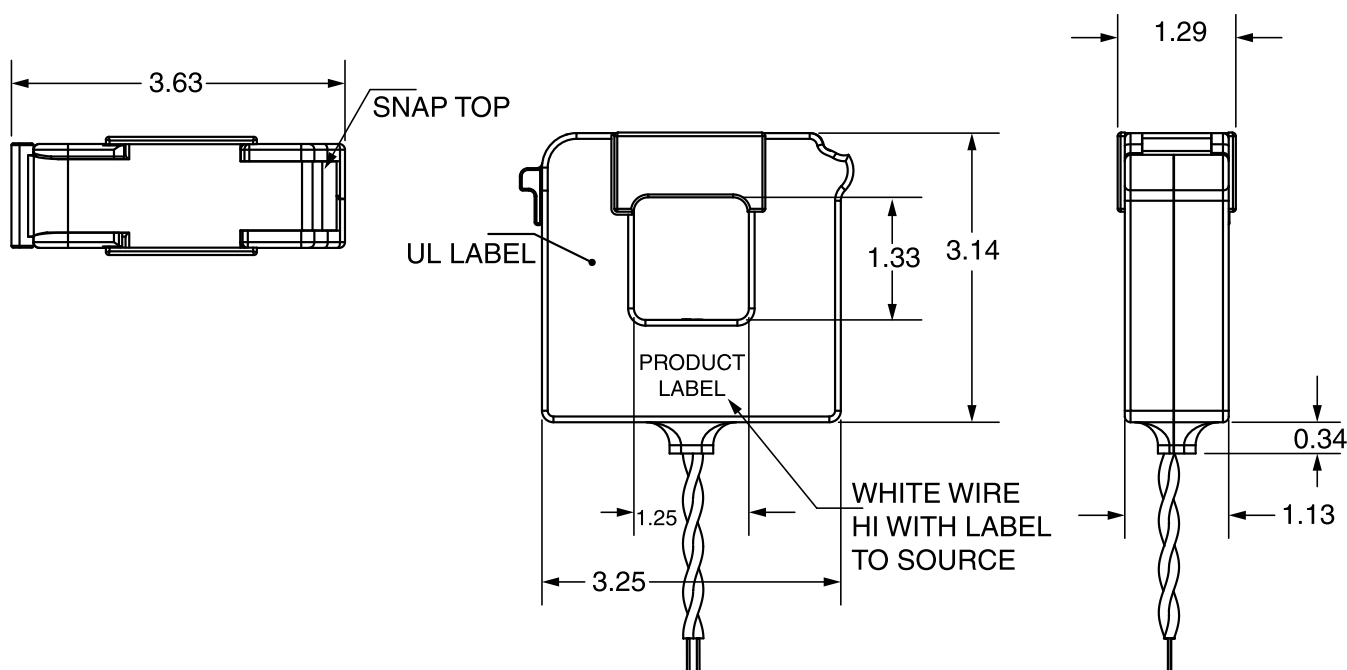
- 333mV Output, Class 0.2 Accuracy
- Simple take apart style
- Can be installed on cable or bus
- 1.25"X1.33" window size
- Listed to UL2808, 61010-1, and CSA 22.2

### SPECIFICATIONS

Rated Primary Current ..... 100A to 600A  
 Rated Output ..... 333mV  
 Rating Factor ..... 1.33 @ 30°C Ambient  
 Voltage Rating ..... 600Vac, rated CAT III  
 Operating Ambient Temperature..... -40°C to 55°C  
 Accuracy ..... IEC60044-1 0.2 Class  
 Leads ..... 8' 18AWG Twisted  
 Weight ..... 1.25 Lbs.

CATALOG NUMBER	ACCURACY	INPUT RATING	OUTPUT
LN4F-100A-333mV-1.25	0.2	100A	0.333Vac
LN4F-150A-333mV-1.25	0.2	150A	0.333Vac
LN4F-200A-333mV-1.25	0.2	200A	0.333Vac
LN4F-250A-333mV-1.25	0.2	250A	0.333Vac
LN4F-300A-333mV-1.25	0.2	300A	0.333Vac
LN4F-400A-333mV-1.25	0.2	400A	0.333Vac
LN4F-500A-333mV-1.25	0.2	500A	0.333Vac
LN4F-600A-333mV-1.25	0.2	600A	0.333Vac

### DIMENSIONS



All Dimensions In Inches

**FLEX-CORE®**  
 Div. Morlan & Associates, Inc.  
 4970 Scioto Darby Rd. Hilliard, Ohio 43026

[WWW.FLEX-CORE.COM](http://WWW.FLEX-CORE.COM)  
 sales@flex-core.com

PHONE (614) 889-6152  
 TECH. ASSISTANCE (614) 876-8308  
 FAX # (614) 876-8538

# CURRENT TRANSFORMERS

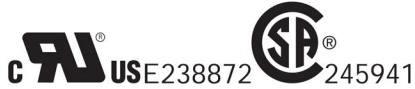
## REMOVABLE LEG CURRENT TRANSFORMER

MODEL 331

### MULTI-RATIO

#### FEATURES

- Excellent measurement accuracy
- Multiple Ratio taps for wide range of primary currents
- Removable leg for easy installation
- Voltage clamping circuit across output terminals.



MADE IN U.S.A.



#### SPECIFICATIONS

##### Physical Characteristics

Material ..... Noryl PX9406 (UL Rated 94V-0)

##### Weight

Model 100 ..... 2 Lbs.  
Model 200 ..... 2 Lbs.

##### Output Leads

Quantity ..... Four  
Size ..... 16 AWG  
Type ..... Stranded & Color-coded  
Length ..... 24"

##### Electrical Characteristics

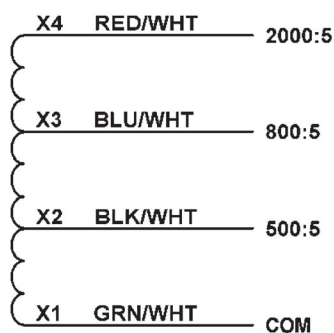
Output ..... (6) 2-Wire combinations with 5A F.S. Rating.  
Frequency ..... 50-400Hz  
Maximum open circuit output voltage

40 volts peak, clamped to 1 volt within 5µs

Insulation ..... 0.6kV (UL 1244 or equivalent).  
Continuous Thermal Rating Factor ..... 1.33 at 30°C, 1.0 at 55°C

RATIO	ACCURACY	SECONDARY CONNECTIONS
2000:5	±1%	Red/White & Green/White
1500:5	±1%	Red/White & Black/White
1200:5	±1%	Red/White & Blue/White
800:5	±2%	Blue/White & Green/White
500:5	±2%	Black/White & Green/White
300:5	±3%	Blue/White & Black/White

Power Measurement Accuracy(Transformer Correction Factor) is shown at 0.85 Power Factor, 0.2Ω Burden and at Rated Current.



#### 600V CLASS

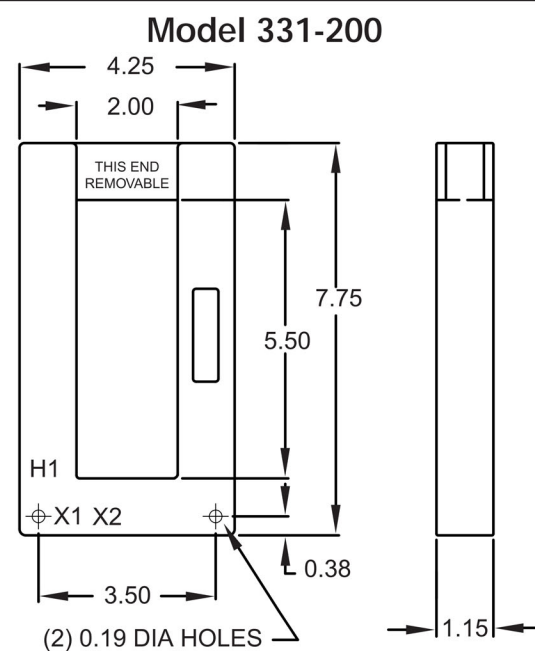
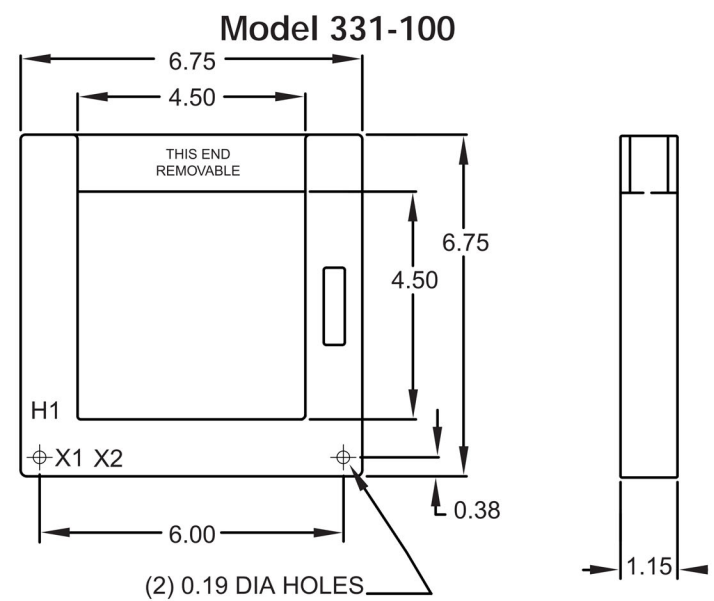


Model 331-100



Model 331-200

#### DIMENSIONS



All Dimensions In Inches

**FLEX-CORE®**  
Div. Morlan & Associates, Inc.  
4970 Scioto Darby Rd. Hilliard, Ohio 43026

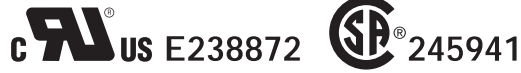
WWW.FLEX-CORE.COM  
sales@flex-core.com

PHONE (614) 889-6152  
TECH. ASSISTANCE (614) 876-8308  
FAX # (614) 876-8538

# CURRENT TRANSFORMERS

## REMOVABLE LEG CURRENT TRANSFORMER MODELS 600, 601, 617

### FEATURES



- For energy management systems and instrumentation
- UL Recognized
- Window I.D.  
 Model 600 - 2.00" x 5.50"  
 Model 601 - 4.50" x 4.50"  
 Model 617 - 2.00" x 3.50"



600V CLASS

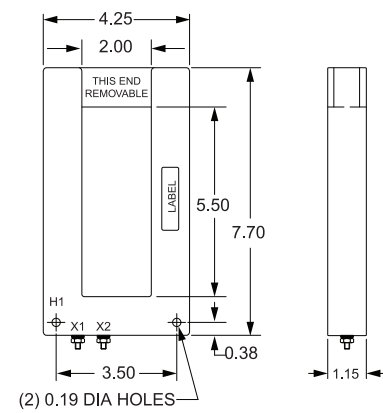


### SPECIFICATIONS

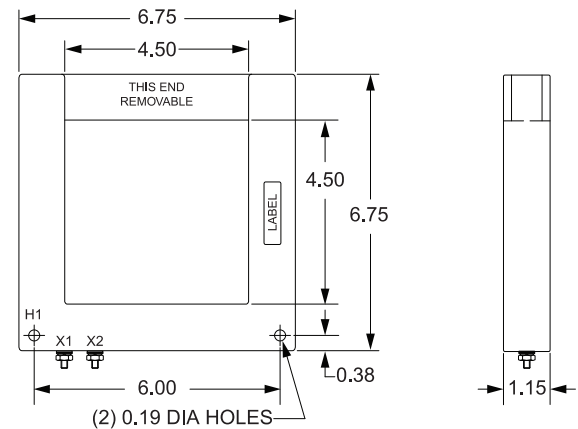
Frequency..... 50-400Hz  
 Insulation Class ..... 0.6kV, 10kV BIL Full Wave  
 Terminals ..... 8-32 Brass Studs with one flat washer, lock washer, and regular nut  
 Weight ..... Approximately 1.5 Lbs.  
 Core and Windings ..... Encased in U.L. approved plastic  
 Manufactured to meet the requirements of ANSI/IEEE C57.13  
**MADE IN U.S.A.**

### DIMENSIONS

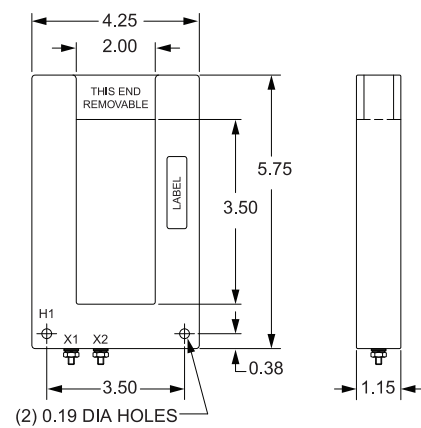
MODEL 600T



MODEL 601T



MODEL 617T



All Dimensions In Inches

MODEL 600T APPLICATION AND ORDERING DATA

CATALOG NUMBER	CURRENT RATIO	V.A. @ 1% CLASS	ANSI METERING CLASS AT 60Hz			CONTINUOUS THERMAL RATING FACTOR	
			B0.1	B0.2	B0.5	@30°C	@55°C
600T-401	400:5	1.5	2.4	4.8	-	1.33	1.0
600T-501	500:5	2.0	2.4	4.8	-	1.33	1.0
600T-601	600:5	2.5	2.4	2.4	-	1.33	1.0
600T-801	800:5	5.0	1.2	1.2	2.4	1.33	1.0
600T-102	1000:5	7.5	1.2	1.2	2.4	1.33	1.0
600T-122	1200:5	15.0	0.6	1.2	1.2	1.33	1.0
600T-152	1500:5	20.0	0.6	0.6	1.2	1.33	1.0
600T-162	1600:5	20.0	0.6	0.6	1.2	1.33	1.0
600T-202	2000:5	30.0	0.6	0.6	0.6	1.33	1.0

MODEL 601T APPLICATION AND ORDERING DATA

CATALOG NUMBER	CURRENT RATIO	V.A. @ 1% CLASS	ANSI METERING CLASS AT 60Hz			CONTINUOUS THERMAL RATING FACTOR	
			B0.1	B0.2	B0.5	@30°C	@55°C
601T-401	400:5	1.0	4.8	-	-	1.33	1.0
601T-501	500:5	1.5	4.8	4.8	-	1.33	1.0
601T-601	600:5	2.0	2.4	4.8	-	1.33	1.0
601T-801	800:5	2.5	1.2	2.4	4.8	1.33	1.0
601T-102	1000:5	5.0	1.2	1.2	4.8	1.33	1.0
601T-122	1200:5	10.0	1.2	1.2	2.4	1.33	1.0
601T-152	1500:5	15.0	1.2	1.2	1.2	1.33	1.0
601T-162	1600:5	15.0	1.2	1.2	1.2	1.33	1.0
601T-202	2000:5	20.0	0.6	0.6	1.2	1.33	1.0

MODEL 617T APPLICATION AND ORDERING DATA

CATALOG NUMBER	CURRENT RATIO	V.A. @ 1% CLASS	ANSI METERING CLASS AT 60Hz			CONTINUOUS THERMAL RATING FACTOR	
			B0.1	B0.2	B0.5	@30°C	@55°C
617T-401	400:5	1.5	2.4	4.8	-	1.33	1.0
617T-501	500:5	2.0	2.4	4.8	-	1.33	1.0
617T-601	600:5	2.5	2.4	2.4	-	1.33	1.0
617T-801	800:5	5.0	1.2	1.2	2.4	1.33	1.0
617T-102	1000:5	7.5	1.2	1.2	2.4	1.33	1.0
617T-122	1200:5	15.0	0.6	1.2	1.2	1.33	1.0

\*Flexible Lead Options Available - Consult Factory

These transformers are designed for assembly to an existing electrical installation without the need for dismantling the primary bus or cables.

**CAUTION:**

Proper safety precautions must be followed during installation by a trained electrician. Never install while bus is energized.

The current transformer must have its secondary terminals short circuited or the burden connected before energizing the primary circuit.

**FLEX-CORE®**  
 Div. Morlan & Associates, Inc.  
 4970 Scioto Darby Rd. Hilliard, Ohio 43026

WWW.FLEX-CORE.COM  
 sales@flex-core.com

PHONE (614) 889-6152  
 TECH. ASSISTANCE (614) 876-8308  
 FAX # (614) 876-8538

# CURRENT TRANSFORMERS

## REMOVABLE LEG CURRENT TRANSFORMER MODEL 615

### FEATURES

- UL Recognized
- Window I.D. - 1.31" X 1.66"
- For Use with Instrumentation Equipment

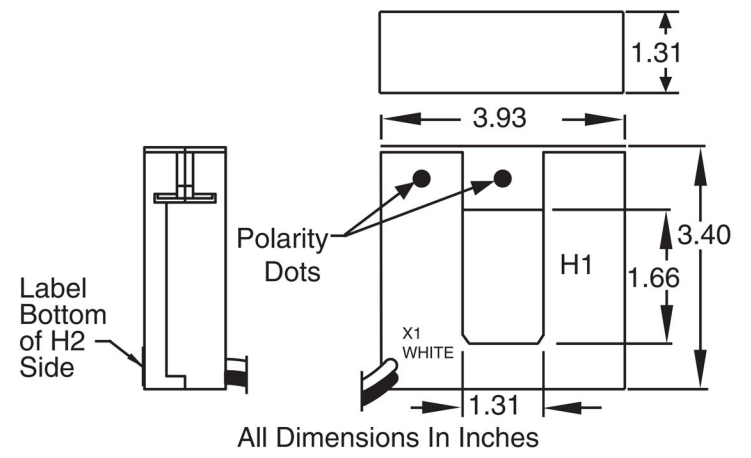
### SPECIFICATIONS

Frequency ..... 50-400Hz  
 Insulation Class ..... 0.6kV, 10kV BIL Full Wave  
 Flexible leads.....UL1015 105°C, 16 AWG, 36" long.  
 Weight ..... Approximately 1.0 Lb.  
 Continuous Thermal Current Rating Factor  
 1.33@ 30°C Amb., 1.00@55°C Amb.

### 600V CLASS



### MODEL 615 DIMENSIONS



APPLICATION AND ORDERING DATA			
CATALOG NUMBER	CURRENT RATIO	ACCURACY	BURDEN
615-101	100:5	5%	1.0VA
615-151	150:5	5%	1.0VA
615-201	200:5	3%	2.0VA
615-251	250:5	2.5%	2.0VA
615-301	300:5	1%	3.5VA
615-401	400:5	1%	8.5VA

## REMOVABLE LEG CURRENT TRANSFORMER MODEL 616

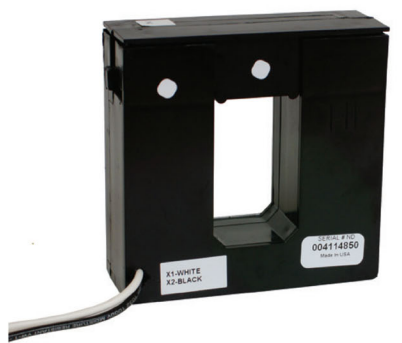
### FEATURES

- UL Recognized
- Window I.D. - 1.31" X 2.16"
- For Use with Instrumentation Equipment

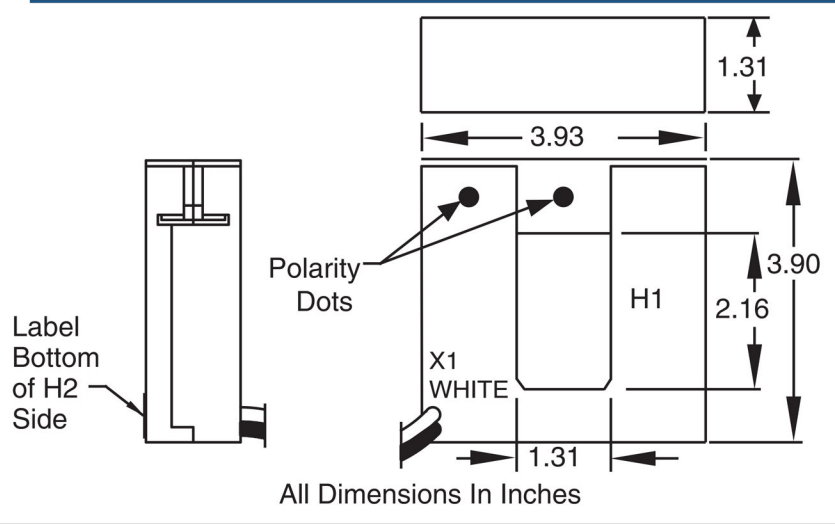
### SPECIFICATIONS

Frequency ..... 50-400Hz  
 Insulation Class ..... 0.6kV, 10kV BIL Full Wave  
 Flexible Leads.....UL1015 105°C, 16 AWG, 36" long.  
 Weight ..... Approximately 1.2 Lbs.  
 Continuous Thermal Current Rating Factor  
 1.33@ 30°C Amb., 1.00@55°C Amb.

### 600V CLASS



### MODEL 616 DIMENSIONS



APPLICATION AND ORDERING DATA			
CATALOG NUMBER	CURRENT RATIO	ACCURACY	BURDEN
616-201	200:5	3%	2VA
616-301	300:5	2%	3VA
616-401	400:5	1%	5VA
616-501	500:5	1%	5VA
616-601	600:5	1%	5VA
616-801	800:5	1%	5VA

<b>FLEX-CORE®</b> Div. Morlan & Associates, Inc. 4970 Scioto Darby Rd. Hilliard, Ohio 43026	<b>WWW.FLEX-CORE.COM</b> sales@flex-core.com	<b>PHONE</b> (614) 889-6152 <b>TECH. ASSISTANCE</b> (614) 876-8308 <b>FAX #</b> (614) 876-8538
---	---	--

# CURRENT TRANSFORMERS

## SPLIT CORE CURRENT TRANSFORMER

MODEL 606

### FEATURES

- **WEATHERPROOF** for outdoor applications.
- For use with energy management systems and instrumentation.
- Transformer case is UV stabilized thermoplastic, filled with polyurethane resin.
- UL Recognized (UL 506).
- Meets C57.13 ANSI specifications.
- Clamps made of steel for extra durability.

### SPECIFICATIONS

Accuracy ..... 1%  
 200:5-300:5 ..... 2%  
 Frequency ..... 50-400Hz  
 Insulation Class ..... 0.6kV, 10kV BIL Full Wave  
 Secondary Cable ..... Two No. 16 AWG, 6' long  
 Direct Burial U.V. Res. U.L. Type TC.  
 Weight ..... Approximately 5 Lbs..  
 Window Size ..... 2.75" X 2.65"



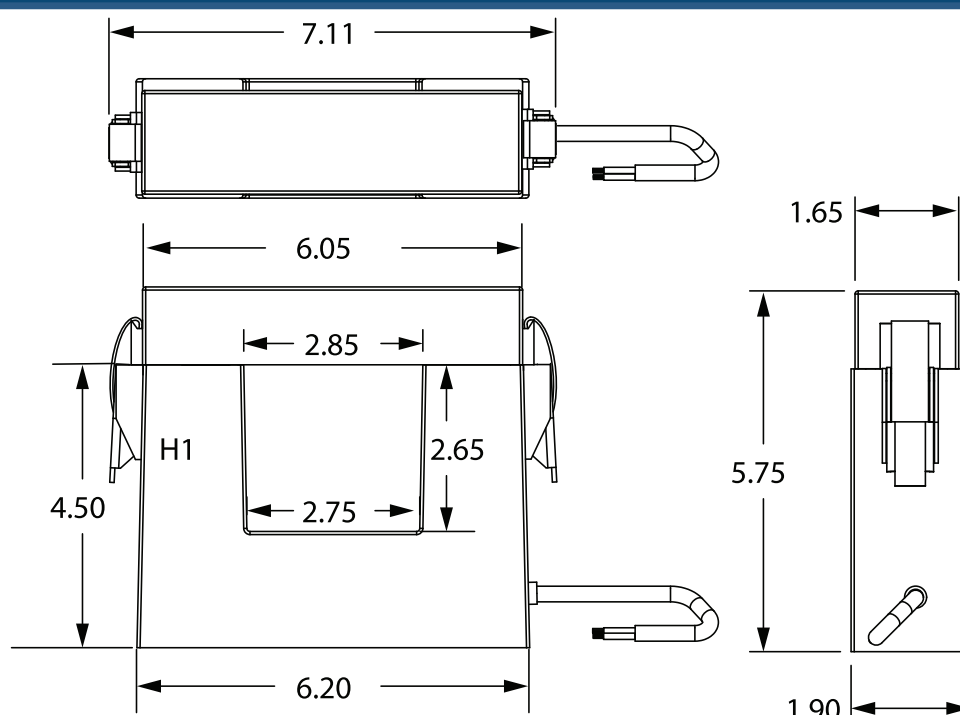
**600V CLASS**

c **UL**® US E238872 **SP**® 245941

### MODEL 606 APPLICATION AND ORDERING DATA

CATALOG NUMBER	CURRENT RATIO	BURDEN VA	ACCURACY @ 60Hz	CONTINUOUS THERMAL RATING FACTOR @30°C
606-201	200:5	2	2%	1.33
606-251	250:5	2	2%	1.33
606-301	300:5	3	2%	1.33
606-401	400:5	4	1%	1.33
606-501	500:5	6	1%	1.33
606-601	600:5	8	1%	1.33
606-801	800:5	12	1%	1.33
606-102	1000:5	15	1%	1.33
606-122	1200:5	20	1%	1.33

### DIMENSIONS



All Dimensions In Inches

**FLEX-CORE®**  
 Div. Morlan & Associates, Inc.  
 4970 Scioto Darby Rd. Hilliard, Ohio 43026

[WWW.FLEX-CORE.COM](http://WWW.FLEX-CORE.COM)  
 sales@flex-core.com

PHONE (614) 889-6152  
 TECH. ASSISTANCE (614) 876-8308  
 FAX # (614) 876-8538

# CURRENT TRANSFORMERS

## SPLIT CORE CURRENT TRANSFORMER

MODEL 608

### FEATURES

- **WEATHERPROOF** for outdoor applications.
- For use with energy management systems and instrumentation.
- Transformer case is UV stabilized thermoplastic, filled with polyurethane resin.
- UL Recognized (UL 506).
- Meets C57.13 ANSI specifications.
- Clamps made of steel for extra durability.

### SPECIFICATIONS

Accuracy ..... See Chart Below  
 Frequency ..... 50-400Hz  
 Insulation Class ..... 0.6kV, 10kV BIL Full Wave  
 Secondary Cable ..... Two No. 16 AWG, 6' long  
 Direct Burial U.V. Res. U.L. Type TC.  
 Weight ..... Approximately 8 Lbs.  
 Window Size ..... 2.60" X 6.25"



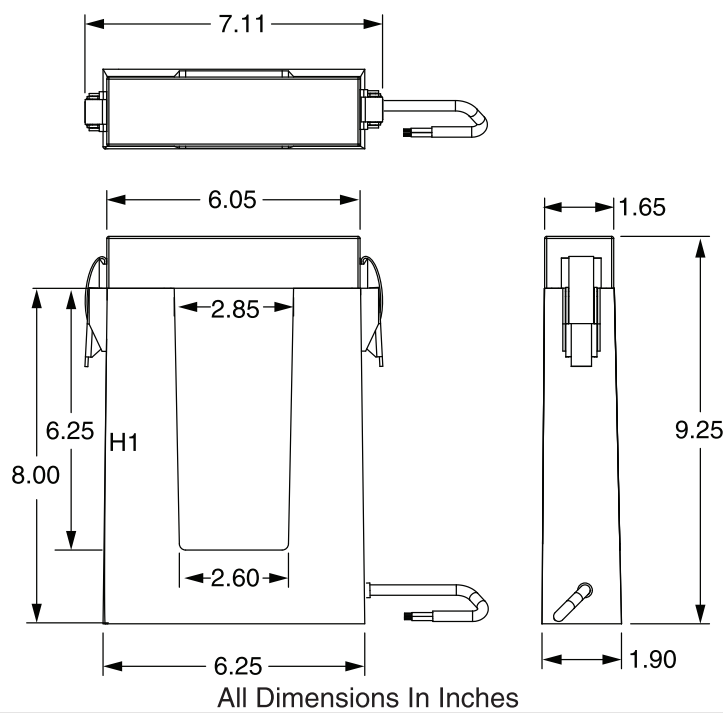
600V CLASS

cUL<sup>®</sup> US E238872 SP<sup>®</sup> 245941

### MODEL 608 APPLICATION AND ORDERING DATA

CATALOG NUMBER	CURRENT RATIO	ANSI METERING CLASS @ 60 HZ					VA +/- AT 1% CLASS	SECONDARY WINDING RESISTANCE	CONTINUOUS THERMAL RATING FACTOR	
		B0.1	B0.2	B0.5	B0.9	B1.8			@ 30°C	@ 55°C
608-501	500:5	1.2	1.2	4.8	-	-	4	0.061	1.33	1.00
608-601	600:5	1.2	1.2	4.8	-	-	6	0.085	1.33	1.00
608-801	800:5	1.2	1.2	2.4	4.8	-	10	0.097	1.33	1.00
608-102	1000:5	0.6	1.2	1.2	2.4	4.8	12	0.126	1.33	1.00
608-122	1200:5	0.6	0.6	1.2	1.2	2.4	16	0.153	1.33	1.00
608-152	1500:5	0.6	0.6	1.2	1.2	2.4	25	0.257	1.33	1.00
608-162	1600:5	0.6	0.6	0.6	1.2	2.4	27	0.398	1.33	1.00
608-202	2000:5	0.6	0.6	0.6	1.2	1.2	33	0.508	1.33	1.00
608-252	2500:5	0.3	0.6	0.6	0.6	1.2	42	0.642	1.00	0.7
608-302	3000:5	0.3	0.6	0.6	0.6	1.2	50	0.835	1.00	0.7
608-322	3200:5	0.3	0.3	0.6	0.6	1.2	54	0.877	1.00	0.7

### DIMENSIONS



**FLEX-CORE<sup>®</sup>**  
 Div. Morlan & Associates, Inc.  
 4970 Scioto Darby Rd. Hilliard, Ohio 43026

[WWW.FLEX-CORE.COM](http://WWW.FLEX-CORE.COM)  
 sales@flex-core.com

PHONE (614) 889-6152  
 TECH. ASSISTANCE (614) 876-8308  
 FAX # (614) 876-8538

# CURRENT TRANSFORMERS

## REMOVABLE LEG CURRENT TRANSFORMER

MODEL 500T

### FEATURES

- UL Recognized  E238872  245941
  - Window I.D. - Available up to 10" X 30"
  - Metering Applications
- MADE IN U.S.A.



600V CLASS

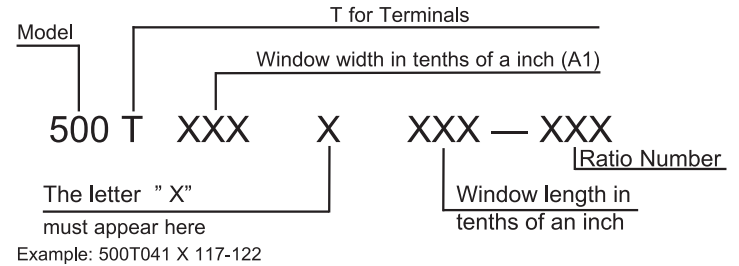
### SPECIFICATIONS

Frequency..... 50-400Hz  
 Insulation Class ..... 0.6kV, 10kV BIL Full Wave  
 Continuous Thermal Rating Factor..... 1.33 @ 30°C amb.,  
 1.0 @ 55°C amb.  
 Terminals ..... Brass Studs No. 8-32 UNC  
 with one flat washer, lock washer and regular nut.  
 Weight ..... Approximately 8-18 Lbs.

Manufactured to meet the requirements of ANSI/IEEE C57.13  
 The accuracy table below is for the 500T041 X 117. Accuracy for other sizes are available from the factory. The dimensions in the table at right are standard sizes. Other window lengths (B1) may be accommodated on special order. Window widths (A1) other than those listed are not available.

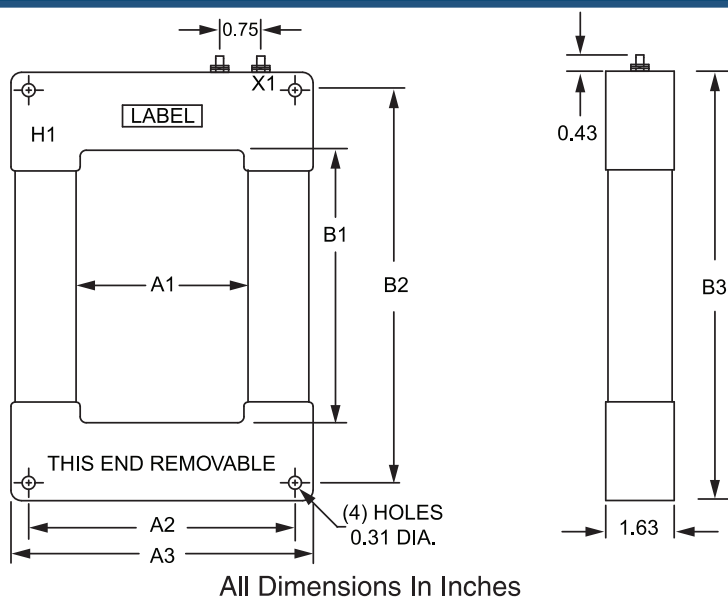
RATIO NUMBER	RATIO	B0.1	B0.2	B0.5	ACCURACY CLASS WITH U.P.F. BURDEN
301	300:5	-	-	-	5% @ 1.5VA
401	400:5	-	-	-	3% @ 2.5VA
501	500:5	-	-	-	2% @ 2.5VA
601	600:5	4.8	-	-	1% @ 4.0VA
751	750:5	4.8	-	-	1% @ 5.0VA
801	800:5	2.4	-	-	1% @ 5.0VA
102	1000:5	2.4	4.8	-	1% @ 7.5VA
122	1200:5	1.2	2.4	-	1% @ 10.0VA
152	1500:5	1.2	1.2	2.4	1% @ 12.5VA
202	2000:5	0.6	1.2	2.4	1% @ 15.0VA
252	2500:5	0.6	0.6	1.2	1% @ 25.0VA
302	3000:5	0.6	0.6	1.2	1% @ 25.0VA
352	3500:5	0.6	0.6	0.6	1% @ 25.0VA
402	4000:5	0.3	0.6	0.6	1% @ 25.0VA
502	5000:5	0.3	0.3	0.3	1% @ 30.0VA
602	6000:5	0.3	0.3	0.3	1% @ 40.0VA

### HOW TO ORDER RECTANGULAR C.T.'S



DIMENSIONS						MAX. RATIO
A1	A2	A3	B1	B2	B3	
4.1	6.4	7.3	7.1	10.0	10.9	4000:5
4.1	6.4	7.3	11.7	14.5	15.4	8000:5
4.1	6.4	7.3	14.1	17.0	17.9	8000:5
4.1	6.4	7.3	18.1	21.0	21.9	8000:5
4.1	6.4	7.3	24.0	27.0	27.9	10000:5
4.1	6.4	7.3	30.1	33.0	33.9	10000:5
5.1	7.2	8.3	7.1	10.0	10.9	4000:5
5.1	7.2	8.3	11.7	14.5	15.4	8000:5
5.1	7.2	8.3	14.1	17.0	17.9	8000:5
5.1	7.2	8.3	18.1	21.0	21.9	8000:5
5.1	7.2	8.3	24.0	27.0	27.9	10000:5
5.1	7.2	8.3	30.1	33.0	33.9	10000:5
5.8	7.0	9.0	7.1	10.0	10.9	4000:5
5.8	7.0	9.0	11.7	14.5	15.4	8000:5
5.8	7.0	9.0	14.1	17.0	17.9	8000:5
5.8	7.0	9.0	18.1	21.0	21.9	8000:5
5.8	7.0	9.0	24.0	27.0	27.9	10000:5
5.8	7.0	9.0	30.1	33.0	33.9	10000:5
8.0	9.5	11.1	7.1	10.0	10.9	4000:5
8.0	9.5	11.1	11.7	14.5	15.4	8000:5
8.0	9.5	11.1	14.1	17.0	17.9	8000:5
8.0	9.5	11.1	18.1	21.0	21.9	8000:5
8.0	9.5	11.1	24.0	27.0	27.9	10000:5
8.0	9.5	11.1	30.1	33.0	33.9	10000:5
10.1	11.6	13.2	7.1	10.0	10.9	4000:5
10.1	11.6	13.2	11.7	14.5	15.4	8000:5
10.1	11.6	13.2	14.1	17.0	17.9	8000:5
10.1	11.6	13.2	18.1	21.0	21.9	8000:5
10.1	11.6	13.2	24.0	27.0	27.9	10000:5
10.1	11.6	13.2	30.1	33.0	33.9	10000:5

### DIMENSIONS



\*Solid Core Models Available - Consult Factory  
 \*Flexible Lead Options Available - Consult Factory

**FLEX-CORE®**  
 Div. Morlan & Associates, Inc.  
 4970 Scioto Darby Rd. Hilliard, Ohio 43026

WWW.FLEX-CORE.COM  
 sales@flex-core.com

PHONE (614) 889-6152  
 TECH. ASSISTANCE (614) 876-8308  
 FAX # (614) 876-8538

# CURRENT TRANSFORMERS

## SPLIT CORE CURRENT TRANSFORMER

**MODEL SCT-0400**

### DESCRIPTION

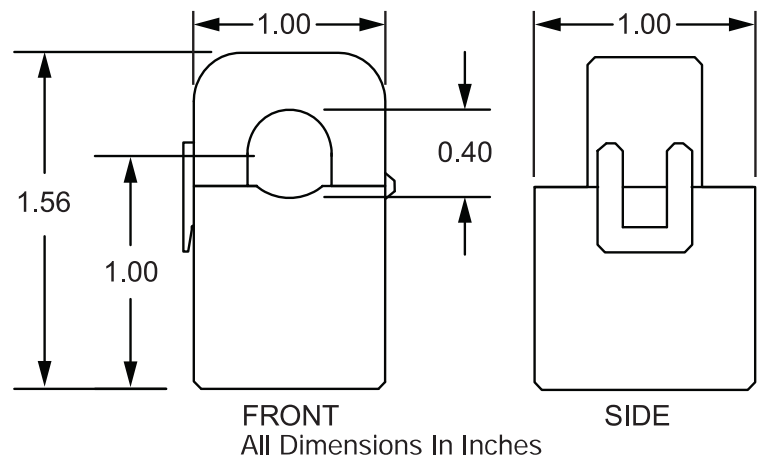
Split core current transformers "sense" AC current from 5 to 75 Amps passing through the window. Split core transformers are ideal for installation on existing electrical wiring by snapping around the conductor. The SCT series have the highest industry standards both for interleaving joints and the self-locking mechanism.

### SPECIFICATIONS

- Rated input from 5 Amp to 75 Amp
- **0.333Vac output at rated current**
- Accuracy  $\pm 1\%$
- Accuracy at 10% to 130% of rated current
- Operates from 50Hz to 400Hz
- Phase angle  $< 2$  degrees (valid 20A or higher)
- 8' twisted-pair lead, 22AWG
- Maximum Voltage: 600V (on bare conductor)
- Hinge guaranteed for 500 opening-closing cycles
- UL Recognized
- 0.40" Window I.D.
- Approximately 3 oz.

**600V CLASS**


CATALOG NUMBER	INPUT RATING	OUTPUT
SCT-0400-005	5 AMP	0.333Vac
SCT-0400-010	10 AMP	0.333Vac
SCT-0400-015	15 AMP	0.333Vac
SCT-0400-020	20 AMP	0.333Vac
SCT-0400-025	25 AMP	0.333Vac
SCT-0400-030	30 AMP	0.333Vac
SCT-0400-040	40 AMP	0.333Vac
SCT-0400-050	50 AMP	0.333Vac
SCT-0400-060	60 AMP	0.333Vac
SCT-0400-075	75 AMP	0.333Vac



## SPLIT CORE CURRENT TRANSFORMER

**MODEL SCT-0750**

### DESCRIPTION

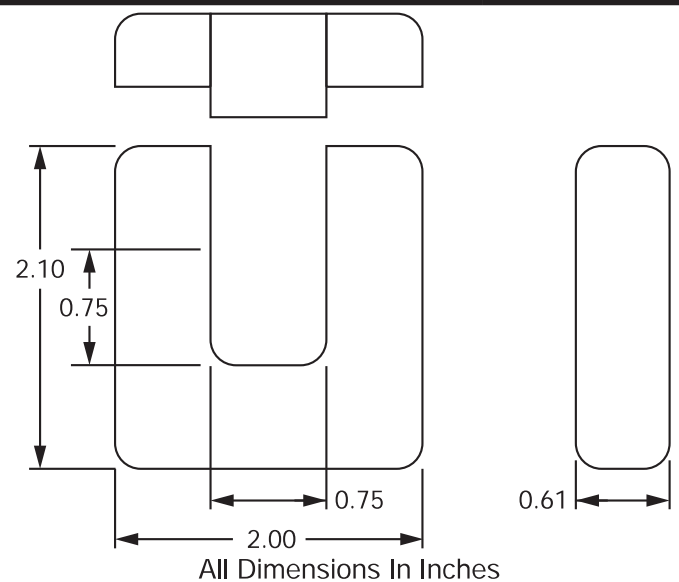
Split core current transformers "sense" AC current from 5 to 200 Amps passing through the window. Split core transformers are ideal for installation on existing electrical wiring by snapping around the conductor. The SCT series have the highest industry standards both for interleaving joints and the self-locking mechanism.

### SPECIFICATIONS

- Rated input from 5 Amp to 200 Amp
- **0.333Vac output at rated current**
- Accuracy  $\pm 1\%$
- Accuracy at 10% to 130% of rated current
- Operates from 30Hz to 400Hz
- Phase angle  $< 2$  degrees measured at 50% rated current (valid for 70A or higher)
- 8' twisted-pair lead, 22AWG
- UL Recognized
- 0.75" Window I.D.
- Approximately 4.5 oz.

**600V CLASS**


CATALOG NUMBER	INPUT RATING	OUTPUT
SCT-0750-005	5 AMP	0.333Vac
SCT-0750-010	10 AMP	0.333Vac
SCT-0750-030	30 AMP	0.333Vac
SCT-0750-050	50 AMP	0.333Vac
SCT-0750-070	70 AMP	0.333Vac
SCT-0750-100	100 AMP	0.333Vac
SCT-0750-150	150 AMP	0.333Vac
SCT-0750-200	200 AMP	0.333Vac


**FLEX-CORE®**

Div. Morlan &amp; Associates, Inc.

4970 Scioto Darby Rd. Hilliard, Ohio 43026

[WWW.FLEX-CORE.COM](http://WWW.FLEX-CORE.COM)
[sales@flex-core.com](mailto:sales@flex-core.com)

PHONE (614) 889-6152

TECH. ASSISTANCE (614) 876-8308

FAX # (614) 876-8538



# CURRENT TRANSFORMERS

## SPLIT CORE CURRENT TRANSFORMER

## MODEL SCT-1250

### DESCRIPTION

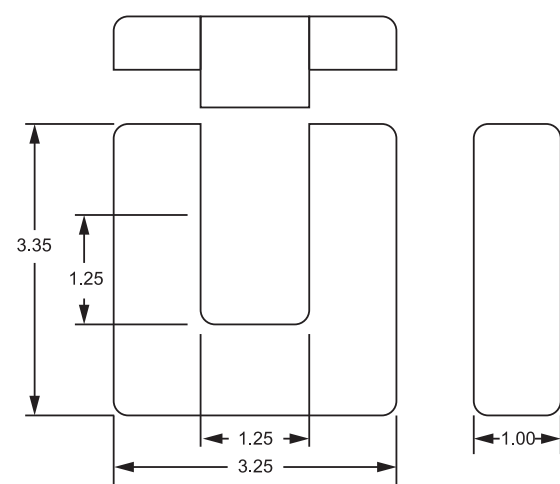
Split core current transformers “sense” AC current from 50 to 600 Amps passing through the window. Split core transformers are ideal for installation on existing electrical wiring by snapping around the conductor. The SCT series have the highest industry standards both for interleaving joints and the self-locking mechanism.

### SPECIFICATIONS

- Rated input from 50 Amp to 600 Amp
- **0.333Vac output at rated current**
- Accuracy  $\pm 1\%$
- Accuracy at 10% to 130% rated current
- Operates from 50Hz to 400Hz
- Phase angle < 2 degrees measured at 50% rated current
- 8' twisted-pair leads, 22AWG
- UL recognized
- Approximately 11.5 oz.

CATALOG NUMBER	INPUT RATING	OUTPUT
SCT-1250-070	70 AMP	0.333Vac
SCT-1250-100	100 AMP	0.333Vac
SCT-1250-150	150 AMP	0.333Vac
SCT-1250-200	200 AMP	0.333Vac
SCT-1250-250	250 AMP	0.333Vac
SCT-1250-300	300 AMP	0.333Vac
SCT-1250-400	400 AMP	0.333Vac
SCT-1250-600	600 AMP	0.333Vac

600V CLASS



All Dimensions In Inches

## SPLIT CORE CURRENT TRANSFORMER

## MODEL SCT-2000

### DESCRIPTION

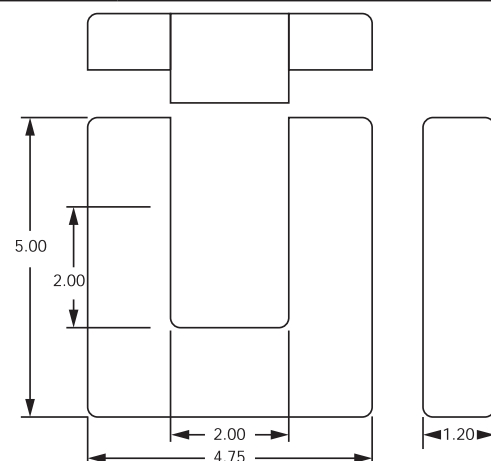
Split core current transformers “sense” AC current from 100 to 1500 Amps passing through the window. Split core transformers are ideal for installation on existing electrical wiring by snapping around the conductor. The SCT series have the highest industry standards both for interleaving joints and the self-locking mechanism.

### SPECIFICATIONS

- Rated input from 100 Amp to 1500 Amp
- **0.333Vac output at rated current**
- Accuracy  $\pm 1\%$
- Accuracy at 10% to 130% rated current
- Operates from 50Hz to 400Hz
- Phase angle < 2 degrees measured at 50% rated current
- 8' twisted-pair leads, 22AWG
- UL recognized
- Approximately 1.5 Lbs.

CATALOG NUMBER	INPUT RATING	OUTPUT
SCT-2000-100	100 AMP	0.333Vac
SCT-2000-200	200 AMP	0.333Vac
SCT-2000-300	300 AMP	0.333Vac
SCT-2000-400	400 AMP	0.333Vac
SCT-2000-600	600 AMP	0.333Vac
SCT-2000-800	800 AMP	0.333Vac
SCT-2000-1000	1000 AMP	0.333Vac
SCT-2000-1200	1200 AMP	0.333Vac
SCT-2000-1500	1500 AMP	0.333Vac

600V CLASS



All Dimensions In Inches

**FLEX-CORE®**

Div. Morlan & Associates, Inc.

4970 Scioto Darby Rd. Hilliard, Ohio 43026

WWW.FLEX-CORE.COM

sales@flex-core.com

PHONE (614) 889-6152

TECH. ASSISTANCE (614) 876-8308

FAX # (614) 876-8538

# CURRENT TRANSFORMERS

## SPLIT CORE CURRENT TRANSFORMER

## MODEL SCT-3000

### DESCRIPTION

Split core current transformers “sense” AC current up to 3000 Amps passing through the window. Split core transformers are ideal for installation on existing electrical wiring by snapping around the conductor. The SCT series have the highest industry standards both for interleaving joints and the self-locking mechanism.

### SPECIFICATIONS

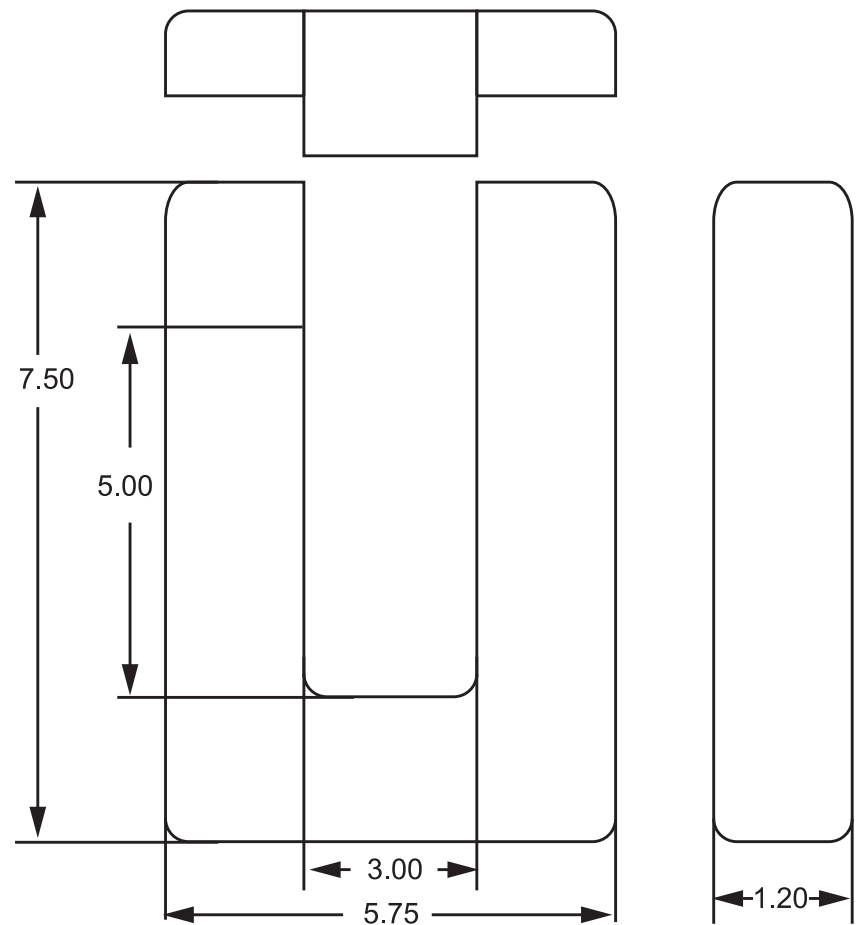
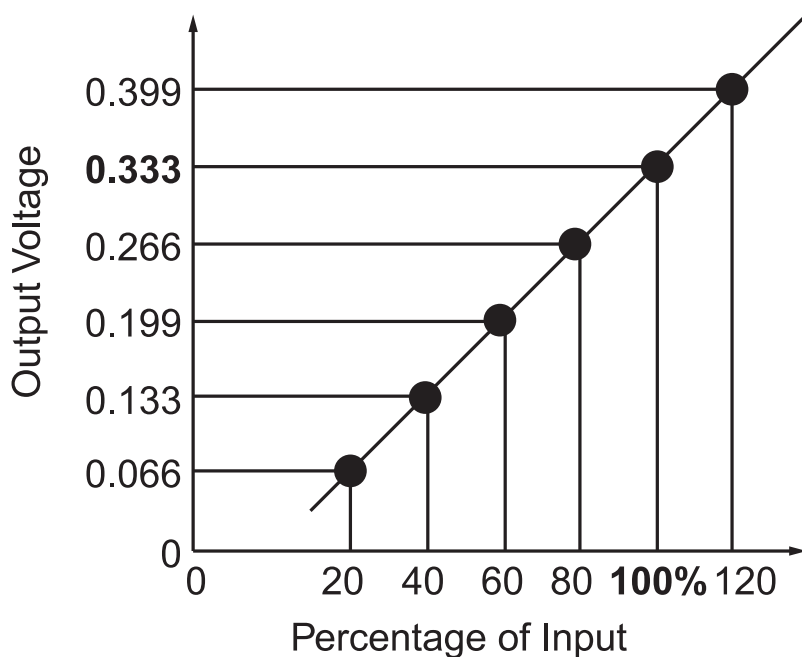
- Rated input up to 3000 Amp
- **0.333Vac output at rated current**
- Accuracy  $\pm 1\%$
- Accuracy at 10% to 130% rated current
- Operates from 50Hz to 400Hz
- Phase angle  $< 2$  degrees measured at 50% rated current
- 8' twisted-pair leads, 22AWG
- UL recognized
- Approximately 2.5 Lbs.

### 600V CLASS



CATALOG NUMBER	INPUT RATING	OUTPUT
SCT-3000-400	400 AMP	0.333Vac
SCT-3000-600	600 AMP	0.333Vac
SCT-3000-800	800 AMP	0.333Vac
SCT-3000-1000	1000 AMP	0.333Vac
SCT-3000-1200	1200 AMP	0.333Vac
SCT-3000-1500	1500 AMP	0.333Vac
SCT-3000-2000	2000 AMP	0.333Vac
SCT-3000-3000	3000 AMP	0.333Vac

### DIMENSIONS



All Dimensions In Inches

**FLEX-CORE®**  
 Div. Morlan & Associates, Inc.  
 4970 Scioto Darby Rd. Hilliard, Ohio 43026

WWW.FLEX-CORE.COM  
 sales@flex-core.com

PHONE (614) 889-6152  
 TECH. ASSISTANCE (614) 876-8308  
 FAX # (614) 876-8538