

**INSULBOOT®**  
DON'T TAPE IT, INSULBOOT IT!™



**GIVE YOUR TAPE THE BOOT.**

**INSULBOOT® PRODUCT CATALOG**

**InsulBoot®**...the most cost-effective way to  
insulate connections in the industry today.

All part numbers listed in this catalog are available for prompt delivery without any tooling or setup charge.

If you don't see your particular part listed please call 800.262.2111 or fill in your request and fax the FastFax form supplied.

# INSULBOOT®... SPECIALISTS IN BUS BAR AND SWITCHGEAR COVERS.

**A**pplying tape. Removing tape.  
Reapplying tape.

The process of insulating connections with tape is just too time-consuming and expensive in today's fast paced world.



**InsulBoot®**—  
an insulated,  
pliable, plastic  
molded boot  
used to insulate  
bus bar and

switchgear covers—can be installed, removed or replaced in just minutes.

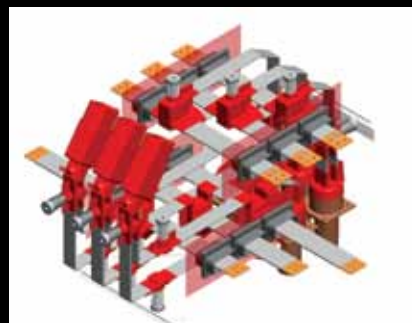
With more than five decades of experience, **InsulBoot®** is an industry leader in the design, formulation, molding and manufacturing of quality switchgear and bus bar connection boots. We also supply coated bus bars and complete systems, including sleeves and covers.

Here's what we can do for you:

- Price quotes usually in 24 hours or less
- Free design services
- Design assistance and CAD drawings
- Proven, proprietary PVC material
- Halogen-free Non-PVC materials available
- Nonstandard designs usually within 48 hours
- Thousands of standard designs to choose from
- Quality inspection procedures & documentation
- In-house tool shop
- Choice of colors available
- Mechanical & electrical testing
- Closing hardware is available on request.

**InsulBoot®** simply offers the best possible systems at the lowest possible cost.

*Representative sampling of product available.*



To order or ask about our FREE design services call, email or fax using our FastFax forms throughout this catalog.

Toll-Free 800.262.2111 • [sales@insulboot.com](mailto:sales@insulboot.com) • Fax 215.766.2222 • [insulboot.com](http://insulboot.com)

# TABLE OF CONTENTS

TEE CONNECTION BOOT	2
LEFT END CONNECTION BOOT	6
RIGHT END CONNECTION BOOT	10
THRU/EXPANSION JOINT BOOT CONNECTION	14
CABLE TERMINATION BOOT	20
CROSS CONNECTION BOOT	24
STAND OFF CONNECTION	26
CORNER CONNECTION	30
90° END CONNECTION	32
THRU WITH RISER CONNECTION	34
STUB END BOOT	36
LIGHTNING ARRESTORS CONNECTION	38
STUD TO RISER CONNECTION	40
VACUUM BREAKER BOOTS	42
STANDARD BUS BAR SLEEVE	46
TYPICAL 38kV APPLICATION	48
SPECIAL PRODUCTS	50
ARBOSOL® PDM 11375 PVC	54
INSULBOOT® HS	56
ARBOFLEX™ W320 LT/W610-630	58

*All part numbers listed in this catalog are available for prompt delivery without any tooling or setup charge.*

*If you don't see your particular part listed please call 800.262.2111 or fill in your request and fax the FastFax form supplied.*

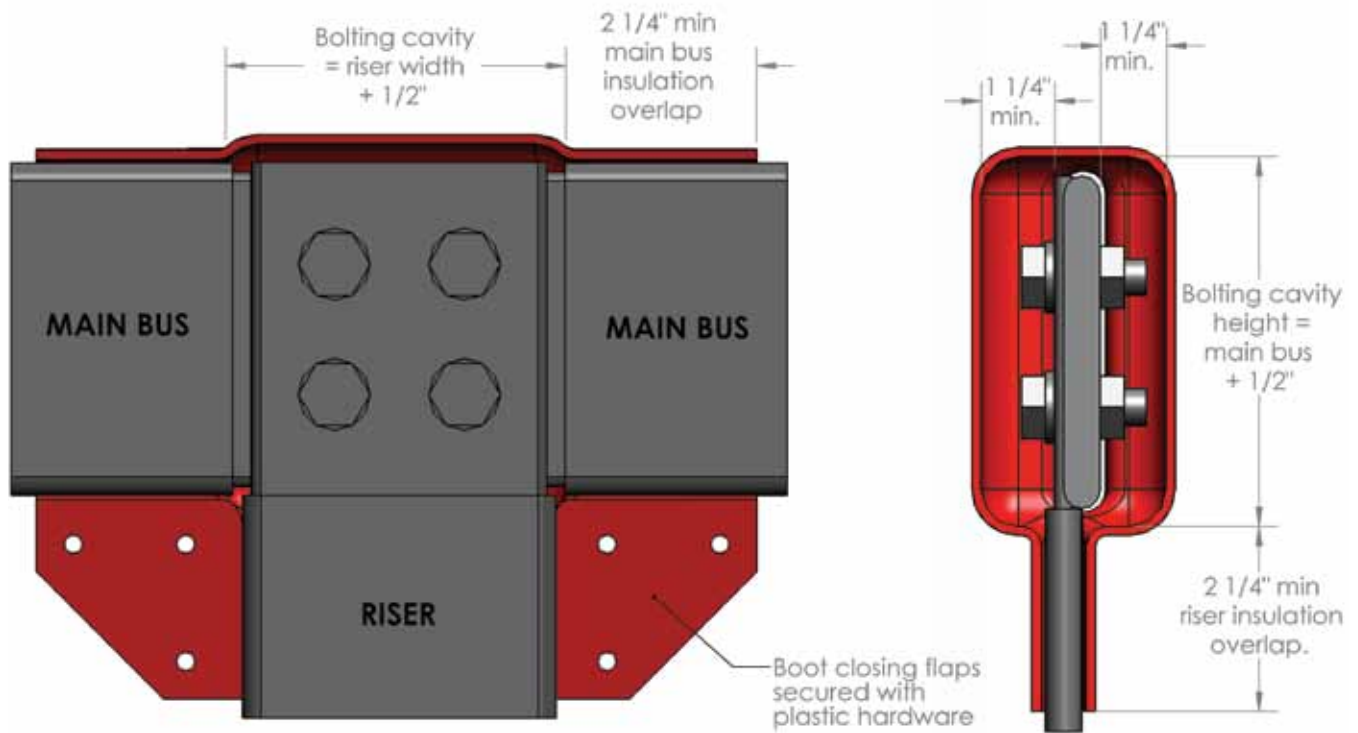
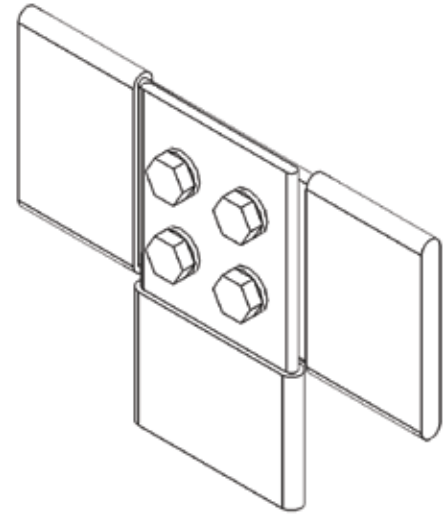
To order or ask about our **FREE design services** call, email or fax using our FastFax form in the back of this catalog.

Toll-Free 800.262.2111 • sales@insulboot.com • Fax 215.766.2222 • insulboot.com

Copyright © 2011 PLASTIC DIP MOLDINGS, INC.

**INSULBOOT®**  
DON'T TAPE IT, INSULBOOT IT!™

# TEE CONNECTION BOOT



# TEE CONNECTION BOOT

All part numbers listed on this page are available within 48 hours without tooling or setup charges.

If you don't see your particular part listed please call 800.262.2111 or fill in your request and fax the FastFax form supplied.

TYPE FIG.	NUMBER OF BUSS	MAIN BUSS THICKNESS	MAIN BUSS WIDTH	NUMBER OF BUSS	RISER THICKNESS	RISER WIDTH	PDM P/N:
TEE #1	1	1/4"	2"	1	1/4"	2"	I-0003
TEE #1	1	3/8"	4"	1	3/8"	4"	I-0009
TEE #1	1	1/4"	6"	1	1/4"	6"	I-0032
TEE #1	1	3/8"	6"	1	3/8"	4"	I-0045
TEE #1	1	3/8"	5"	1	1/4"	4"	I-0053
TEE #1	1	1/2"	2"	1	1/2"	2"	I-0143
TEE #1	1	1/2"	4"	1	1/2"	6"	I-0147
TEE #1	1	1/4"	3"	1	1/4"	3"	I-0163
TEE #1	1	1/4"	4"	1	1/4"	4"	I-0166
TEE #1	1	1/2"	4"	1	1/2"	3"	I-0176
TEE #1	1	3/8"	5"	1	3/8"	5"	I-0180
TEE #1	1	1/2"	6"	1	1/2"	6"	I-0181
TEE #1	1	1/2"	6"	1	1/2"	3"	I-0191
TEE #1	1	3/8"	4"	1	3/8"	2"	I-0215
TEE #1	1	5/8"	4"	1	1/4"	3"	I-0220
TEE #1	1	1/2"	6"	1	3/4"	4"	I-0222
TEE #1	1	1/2"	4"	1	1/2"	4"	I-0231
TEE #1	1	1/2"	3"	1	1/2"	3"	I-0282
TEE #1	1	3/4"	5"	1	1/2"	8"	I-0514
TEE #1	1	1/2"	8"	1	3/4"	4"	I-0521
TEE #1	1	1/4"	3"	1	1/4"	4"	I-0540
TEE #1	1	3/8"	6"	1	3/8"	6"	I-0694
TEE #1	1	3/8"	3"	1	3/8"	3"	I-0698
TEE #1	1	1/2"	3"	1	3/4"	4"	I-0760
TEE #1	1	3/8"	6"	1	3/8"	6"	I-1012
TEE #1	1	5/8"	6"	1	5/8"	6"	I-1015

PT tap available on all connections.

To order or ask about our **FREE design services** call, email or fax using our FastFax form in the back of this catalog.

Toll-Free 800.262.2111 • sales@insulboot.com • Fax 215.766.2222 • insulboot.com

Copyright © 2011 PLASTIC DIP MOLDINGS, INC.

**INSULBOOT®**  
DON'T TAPE IT, INSULBOOT IT!™

# TEE CONNECTION BOOT

All part numbers listed on this page are available within 48 hours without tooling or setup charges.

If you don't see your particular part listed please call 800.262.2111 or fill in your request and fax the FastFax form supplied.

TYPE FIG.	NUMBER OF BUSS	MAIN BUSS THICKNESS	MAIN BUSS WIDTH	NUMBER OF BUSS	RISER THICKNESS	RISER WIDTH	PDM P/N:
TEE #2	2	1/2"	6"	3	1/2"	6"	I-0137
TEE #2	2	1/2"	6"	1	1/2"	6"	I-0184
TEE #2	2	3/8"	6"	1	3/8"	6"	I-0205
TEE #2	2	1/4"	3"	1	1/4"	6"	I-0226
TEE #2	2	1/4"	4"	1	1/2"	4"	I-0299
TEE #2	2	1/2"	4"	1	1/2"	4"	I-0475
TEE #2	1	1/4"	6"	2	1/4"	4"	I-0561
TEE #2	2	1/2"	6"	1	1/2"	4"	I-1026
TEE #2	3	1/2"	4"	2	3/8"	3"	I-0954
TEE #3	2	1/2"	6"	2	1/2"	6"	I-0132
TEE #3	2	3/8"	6"	2	3/8"	6"	I-0298
TEE #3	3	1/2"	4"	3	1/2"	4"	I-0469
TEE #3	2	1/4"	4"	2	1/4"	4"	I-0668
TEE #3	3	3/8"	6"	3	3/8"	6"	I-0723
TEE #3	2	1/2"	6"	2	1/4"	3"	I-0785
TEE #3	2	3/8"	4"	2	3/8"	4"	I-0975
TEE #4	2	3/8"	4"	1	3/8"	4"	I-0708

PT tap available on all connections.

It's easy: just fill in and fax to 215.766.2222

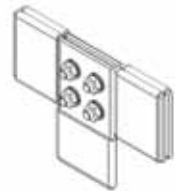
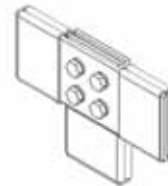
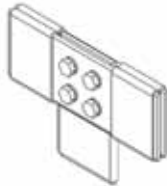
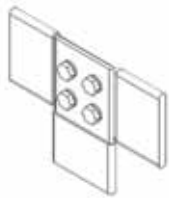
**FASTFAX**

# INSULBOOT® TEE CONNECTION BOOT

**Standard Range** - Our standard range of Tee Connection Boot exceeds 825 different configurations. Main Bus size and Riser size range from 1/4" by 2" to 3/4" by 8". PT Tap may be added.

**Free Design Services** - Email or fax your Bus layout and we will design and supply drawings of the InsulBoot® to suit your needs, usually within 2-3 days. Email sales@insulboot.com or fax 215.766.2222.

**Custom InsulBoot®** - If it is not possible to meet your specifications from our range of standards, we will design and mold a custom InsulBoot® to suit your applications, usually within 7 days.



CONNECTOR TYPE  
CHECK ONE:

 **1** **2** **3** **4**

PROVIDE BUS SIZE:

X

THICKNESS

WIDTH

If PT Tap is required, please mark position and size in sketch area provided.

Bus Insulation

THICKNESS

PROVIDE TAP/  
RISER SIZE:

X

THICKNESS

WIDTH

KV Rating

Use this area for additional notes, details or sketch of your own custom needs:

**INSULBOOT ONLY:**

INSULBOOT PART #

DELIVERY TIME

PRICE

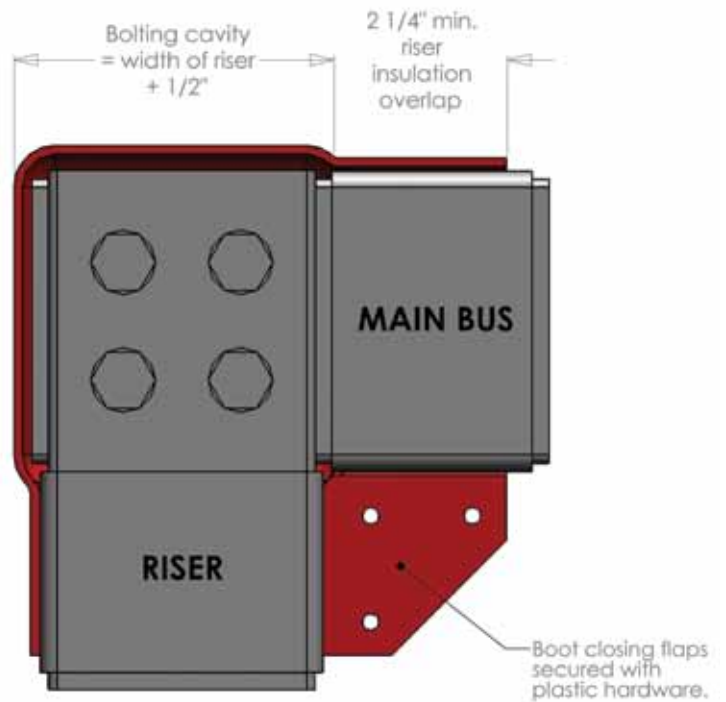
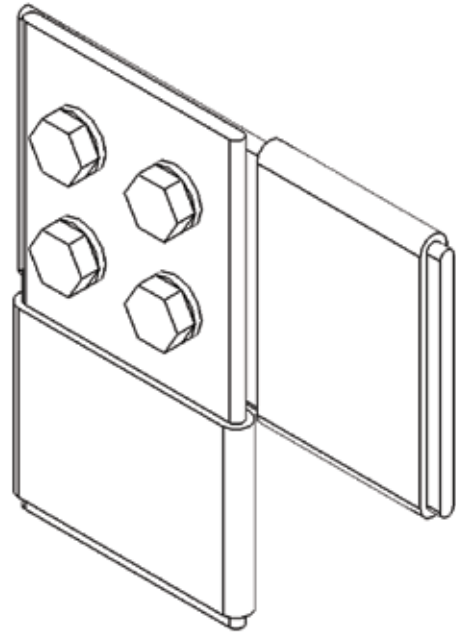
NAME: \_\_\_\_\_ COMPANY: \_\_\_\_\_

FAX: \_\_\_\_\_ PHONE: \_\_\_\_\_ E-MAIL: \_\_\_\_\_

QUANTITY: \_\_\_\_\_ REQUESTED DELIVERY: \_\_\_\_\_

800.262.2111 • insulboot.com

# LEFT END CONNECTION BOOT





# LEFT END CONNECTION BOOT

All part numbers listed on this page are available within 48 hours without tooling or setup charges.

If you don't see your particular part listed please call 800.262.2111 or fill in your request and fax the FastFax form supplied.

TYPE FIG.	NUMBER OF BUSS	MAIN BUSS THICKNESS	MAIN BUSS WIDTH	NUMBER OF BUSS	RISER THICKNESS	RISER WIDTH	PDM P/N:
LHD #1	1	1/4"	2"	1	1/4"	2"	I-0004
LHD #1	1	3/8"	3"	1	3/8"	3"	I-0021
LHD #1	1	1/4"	6"	1	1/4"	6"	I-0041
LHD #1	1	3/8"	6"	1	3/8"	3"	I-0046
LHD #1	1	3/4"	4"	1	3/4"	4"	I-0050
LHD #1	1	1/2"	2"	1	1/2"	2"	I-0141
LHD #1	1	1/2"	3"	1	1/2"	3"	I-0156
LHD #1	1	1/2"	4"	1	1/2"	4"	I-0158
LHD #1	1	1/4"	3"	1	1/4"	3"	I-0161
LHD #1	1	1/4"	4"	1	1/4"	4"	I-0164
LHD #1	1	1/2"	4"	1	1/2"	3"	I-0177
LHD #1	1	1/4"	2"	1	1/4"	3"	I-0179
LHD #1	1	1/2"	6"	1	1/2"	3"	I-0189
LHD #1	1	1/2"	6"	1	3/4"	4"	I-0223
LHD #1	1	1/2"	8"	1	1/2"	8"	I-0236
LHD #1	1	1/2"	6"	1	1/2"	4"	I-0245
LHD #1	1	3/8"	4"	1	3/8"	4"	I-0259
LHD #1	1	1/2"	6"	1	1/2"	6"	I-0278
LHD #1	1	3/8"	6"	1	3/8"	6"	I-0397
LHD #1	1	1/4"	6"	1	1/2"	4"	I-0423
LHD #1	1	1/4"	4"	1	1/4"	2"	I-0477
LHD #1	1	1/2"	8"	1	3/4"	5"	I-0513
LHD #1	1	1/2"	4"	1	1/4"	4"	I-0639
LHD #1	1	1/4"	5"	1	1/4"	5"	I-0654
LHD #1	1	1/2"	5"	1	1/2"	5"	I-0706
LHD #1	1	3/8"	2"	1	3/8"	2"	I-0728
LHD #1	1	1/4"	2"	1	1/4"	4"	I-0879
LHD #1	1	5/8"	6"	1	5/8"	6"	I-1017

PT tap available on all connections.

To order or ask about our **FREE design services** call, email or fax using our FastFax form in the back of this catalog.

Toll-Free 800.262.2111 • sales@insulboot.com • Fax 215.766.2222 • insulboot.com

Copyright © 2011 PLASTIC DIP MOLDINGS, INC.

**INSULBOOT®**  
DON'T TAPE IT, INSULBOOT IT!™



# LEFT END CONNECTION BOOT

All part numbers listed on this page are available within 48 hours without tooling or setup charges.

If you don't see your particular part listed please call 800.262.2111 or fill in your request and fax the FastFax form supplied.

Connector type figure number 2 are for left hand and right hand. (Connection is symmetrical)

TYPE FIG.	NUMBER OF BUSS	MAIN BUSS THICKNESS	MAIN BUSS WIDTH	NUMBER OF BUSS	RISER THICKNESS	RISER WIDTH	PDM P/N:
LHD/RHD #2	1	1/4"	6"	2	1/4"	4"	I-0562
LHD/RHD #2	2	1/2"	6"	3	1/2"	6"	I-0138
LHD/RHD #2	1	3/8"	6"	2	3/8"	3"	I-0154
LHD/RHD #2	2	3/8"	4"	1	1/4"	2"	I-0182
LHD/RHD #2	1	1/4"	5"	2	1/4"	3"	I-0198
LHD/RHD #2	1	1/4"	6"	2	1/4"	3"	I-0221
LHD/RHD #2	1	1/2"	8"	2	3/4"	4"	I-0512
LHD/RHD #2	2	3/8"	6"	3	3/8"	5"	I-0519
LHD/RHD #2	2	1/4"	4"	1	1/4"	4"	I-0808
LHD/RHD #2	2	3/4"	6"	2	3/4"	6"	I-0996
LHD/RHD #2	2	3/8"	6"	3	3/8"	6"	I-0960
LHD #3	3	1/4"	6"	3	1/4"	6"	I-0199
LHD #3	2	3/8"	6"	2	3/8"	6"	I-0014
LHD #3	2	3/8"	6"	2	3/8"	6"	I-0015
LHD #3	2	1/4"	3"	2	1/4"	3"	I-0078
LHD #3	4	1/4"	4"	4	1/4"	4"	I-0084
LHD #3	3	1/2"	6"	3	1/2"	6"	I-0122
LHD #3	2	1/2"	6"	2	1/2"	6"	I-0130
LHD #3	2	3/8"	3"	2	3/8"	3"	I-0155
LHD #3	2	3/8"	4"	2	3/8"	4"	I-0284
LHD #3	2	3/8"	6"	2	3/8"	6"	I-0297
LHD #3	2	1/2"	3"	2	1/2"	3"	I-0307
LHD #3	2	1/2"	4"	2	1/2"	4"	I-0318
LHD #3	3	1/4"	3"	3	1/4"	3"	I-0711
LHD #3	2	1/2"	5"	2	1/2"	5"	I-0715
LHD #3	2	1/2"	6"	2	1/4"	3"	I-0786
LHD #3	2	1/2"	6"	2	1/2"	6"	I-1025
LHD #3	2	3/8"	6"	2	3/8"	6"	I-0958

To order or ask about our **FREE design services** call, email or fax using our FastFax form in the back of this catalog.

Toll-Free 800.262.2111 • sales@insulboot.com • Fax 215.766.2222 • insulboot.com

Copyright © 2011 PLASTIC DIP MOLDINGS, INC.

PT tap available on all connections.

**INSULBOOT**<sup>®</sup>  
DON'T TAPE IT, INSULBOOT IT!<sup>™</sup>

It's easy: just fill in and fax to 215.766.2222

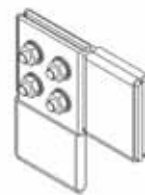
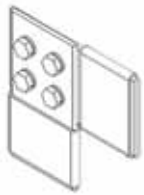
**FASTFAX**

# INSULBOOT® LEFT END CONNECTION BOOT

**Standard Range** - Our standard range of Left End Connection Boot exceeds 400 different configurations. Main Bus size and Riser size range from 1/4" by 2" to 3/4" by 8". PT Tap may be added.

**Free Design Services** - Email or fax your Bus layout and we will design and supply drawings of the InsulBoot® to suit your needs, usually within 2-3 days. Email sales@insulboot.com or fax 215.766.2222.

**Custom InsulBoot®** - If it is not possible to meet your specifications from our range of standards, we will design and mold a custom InsulBoot® to suit your applications, usually within 7 days.



CONNECTOR TYPE  
CHECK ONE:

1

2

3

4

PROVIDE BUS SIZE:

X

THICKNESS

WIDTH

If PT Tap is required, please mark position and size in sketch area provided.

Bus Insulation

THICKNESS

PROVIDE TAP/  
RISER SIZE:

X

THICKNESS

WIDTH

KV Rating

Use this area for additional notes, details or sketch of your own custom needs:

**INSULBOOT ONLY:**

INSULBOOT PART #

DELIVERY TIME

PRICE

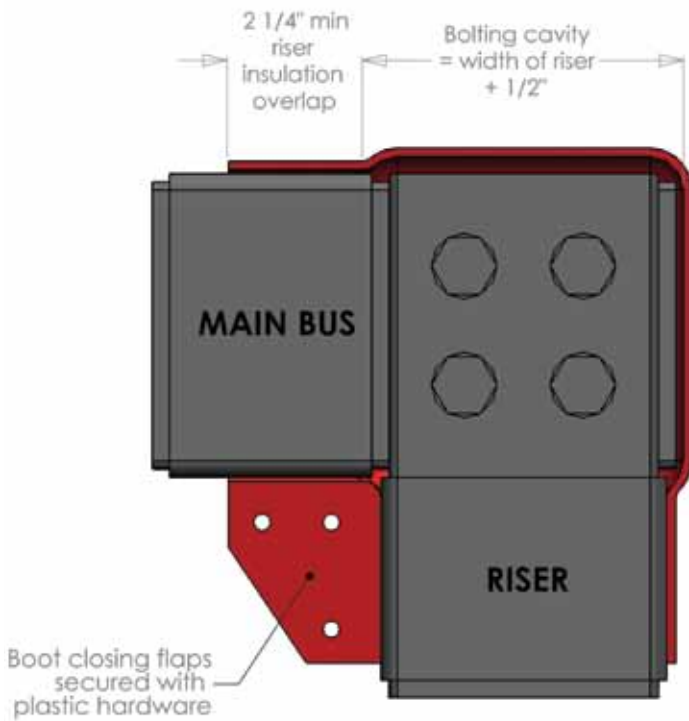
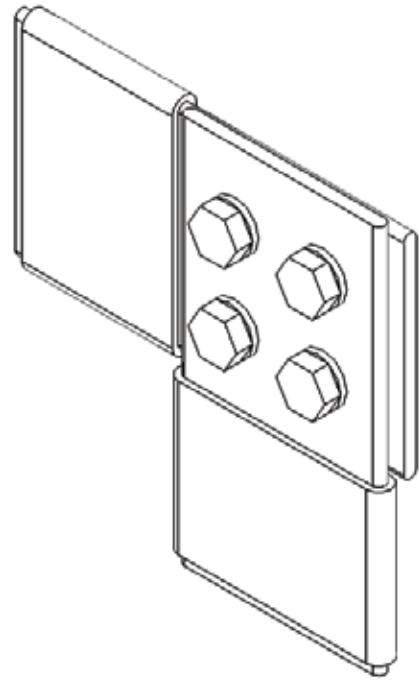
NAME: \_\_\_\_\_ COMPANY: \_\_\_\_\_

FAX: \_\_\_\_\_ PHONE: \_\_\_\_\_ E-MAIL: \_\_\_\_\_

QUANTITY: \_\_\_\_\_ REQUESTED DELIVERY: \_\_\_\_\_

800.262.2111 • insulboot.com

# RIGHT END CONNECTION BOOT



# RIGHT END CONNECTION BOOT

All part numbers listed on this page are available within 48 hours without tooling or setup charges.

If you don't see your particular part listed please call 800.262.2111 or fill in your request and fax the FastFax form supplied.

TYPE FIG.	NUMBER OF BUSS	MAIN BUSS THICKNESS	MAIN BUSS WIDTH	NUMBER OF BUSS	RISER THICKNESS	RISER WIDTH	PDM P/N:
RHD #1	1	1/4"	2"	1	1/4"	2"	I-0005
RHD #1	1	1/4"	6"	1	1/4"	6"	I-0042
RHD #1	1	3/8"	6"	1	3/8"	6"	I-0047
RHD #1	1	3/4"	4"	1	3/4"	4"	I-0051
RHD #1	1	1/2"	2"	1	1/2"	2"	I-0142
RHD #1	1	1/2"	4"	1	1/2"	4"	I-0145
RHD #1	1	1/2"	4"	1	1/2"	6"	I-0146
RHD #1	1	1/4"	3"	1	1/4"	3"	I-0162
RHD #1	1	1/4"	4"	1	1/4"	4"	I-0165
RHD #1	1	1/4"	4"	1	1/4"	2"	I-0171
RHD #1	1	1/2"	6"	1	3/4"	4"	I-0187
RHD #1	1	1/2"	6"	1	1/2"	3"	I-0190
RHD #1	1	1/2"	6"	1	1/2"	4"	I-0246
RHD #1	1	3/8"	4"	1	3/8"	4"	I-0260
RHD #1	1	1/2"	6"	1	1/2"	6"	I-0279
RHD #1	1	1/4"	6"	1	1/2"	4"	I-0422
RHD #1	1	1/2"	3"	1	1/2"	3"	I-0445
RHD #1	1	1/2"	4"	1	1/2"	3"	I-0457
RHD #1	1	1/2"	5"	1	1/2"	5"	I-0564
RHD #1	1	1/2"	4"	1	1/4"	4"	I-0640
RHD #1	1	1/2"	8"	1	1/2"	8"	I-0642
RHD #1	1	1/4"	5"	1	1/4"	5"	I-0655
RHD #1	1	3/8"	3"	1	3/8"	2"	I-0774
RHD #1	1	1/4"	3"	1	1/4"	2"	I-0780
RHD #1	1	1/2"	3"	1	1"	3"	I-0988
RHD #1	1	5/8"	6"	1	5/8"	6"	I-1016

PT tap available on all connections.

To order or ask about our **FREE design services** call, email or fax using our FastFax form in the back of this catalog.

Toll-Free 800.262.2111 • sales@insulboot.com • Fax 215.766.2222 • insulboot.com

Copyright © 2011 PLASTIC DIP MOLDINGS, INC.

**INSULBOOT®**  
DON'T TAPE IT, INSULBOOT IT!™

# RIGHT END CONNECTION BOOT

All part numbers listed on this page are available within 48 hours without tooling or setup charges.

If you don't see your particular part listed please call 800.262.2111 or fill in your request and fax the FastFax form supplied.

Connector type figure number 2 are for left hand and right hand. (Connection is symmetrical)

TYPE FIG.	NUMBER OF BUSS	MAIN BUSS THICKNESS	MAIN BUSS WIDTH	NUMBER OF BUSS	RISER THICKNESS	RISER WIDTH	PDM P/N:
LHD/RHD #2	1	1/4"	6"	2	1/4"	4"	I-0562
LHD/RHD #2	2	1/2"	6"	3	1/2"	6"	I-0138
LHD/RHD #2	1	3/8"	6"	2	3/8"	3"	I-0154
LHD/RHD #2	2	3/8"	4"	1	1/4"	2"	I-0182
LHD/RHD #2	1	1/4"	5"	2	1/4"	3"	I-0198
LHD/RHD #2	1	1/4"	6"	2	1/4"	3"	I-0221
LHD/RHD #2	1	1/2"	8"	2	3/4"	4"	I-0512
LHD/RHD #2	2	3/8"	6"	3	3/8"	5"	I-0519
LHD/RHD #2	2	1/4"	4"	1	1/4"	4"	I-0808
LHD/RHD #2	2	3/4"	6"	2	3/4"	6"	I-0996
LHD/RHD #2	2	3/8"	6"	3	3/8"	6"	I-0960
RHD #3	2	1/2"	3"	2	1/2"	3"	I-0016
RHD #3	2	3/8"	6"	2	3/8"	6"	I-0024
RHD #3	2	3/8"	6"	2	3/8"	6"	I-0025
RHD #3	2	1/2"	4"	2	1/2"	4"	I-0073
RHD #3	2	1/4"	3"	2	1/4"	3"	I-0079
RHD #3	3	1/2"	6"	3	1/2"	6"	I-0119
RHD #3	2	1/2"	6"	2	1/2"	6"	I-0131
RHD #3	3	1/4"	3"	3	1/4"	3"	I-0712
RHD #3	2	1/2"	5"	2	1/2"	5"	I-0716
RHD #3	2	1/2"	6"	2	1/4"	3"	I-0787
RHD #3	2	1/4"	4"	2	1/4"	4"	I-0797
RHD #3	2	1/2"	4"	2	1/2"	4"	I-0970
RHD #3	2	3/8"	6"	2	3/8"	6"	I-0959

PT tap available on all connections.

It's easy: just fill in and fax to 215.766.2222

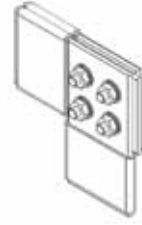
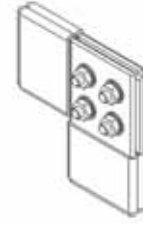
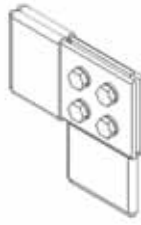
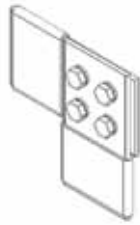
**FASTFAX**

# INSULBOOT® RIGHT END CONNECTION BOOT

**Standard Range** - Our standard range of Right End Connection Boot exceeds 400 different configurations. Main Bus size and Riser size range from 1/4" by 2" to 3/4" by 8". PT Tap may be added.

**Free Design Services** - Email or fax your Bus layout and we will design and supply drawings of the InsulBoot® to suit your needs, usually within 2-3 days. Email sales@insulboot.com or fax 215.766.2222.

**Custom InsulBoot®** - If it is not possible to meet your specifications from our range of standards, we will design and mold a custom InsulBoot® to suit your applications, usually within 7 days.



CONNECTOR TYPE  
CHECK ONE:

1

2

3

4

PROVIDE BUS SIZE:

X

THICKNESS

WIDTH

If PT Tap is required, please mark position and size in sketch area provided.

Bus Insulation

THICKNESS

PROVIDE TAP/  
RISER SIZE:

X

THICKNESS

WIDTH

KV Rating

Use this area for additional notes, details or sketch of your own custom needs:

**INSULBOOT ONLY:**

INSULBOOT PART #

DELIVERY TIME

PRICE

NAME: \_\_\_\_\_ COMPANY: \_\_\_\_\_

FAX: \_\_\_\_\_ PHONE: \_\_\_\_\_ E-MAIL: \_\_\_\_\_

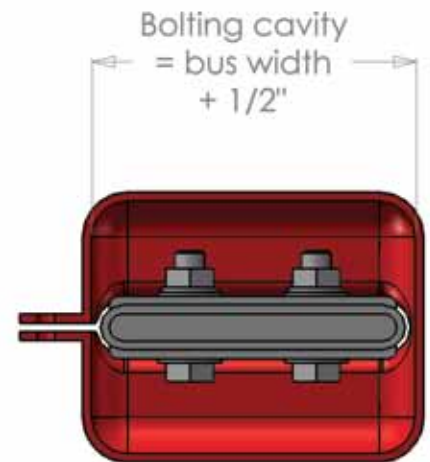
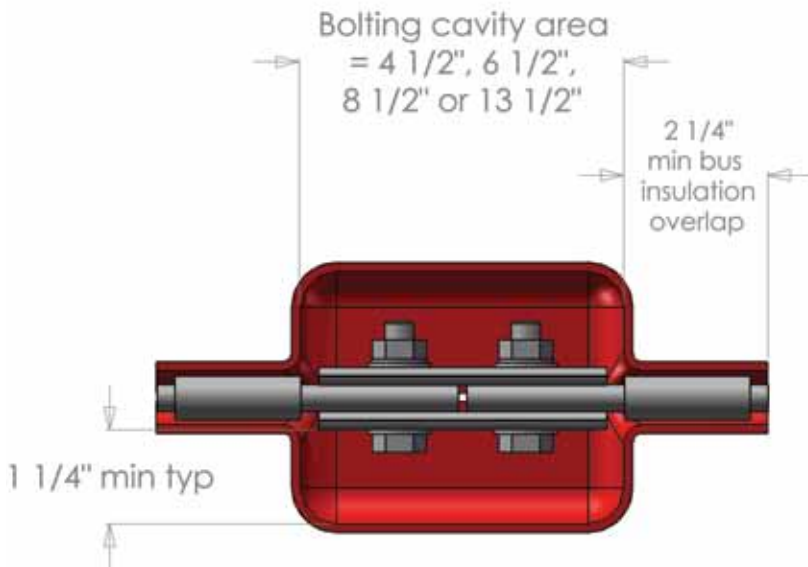
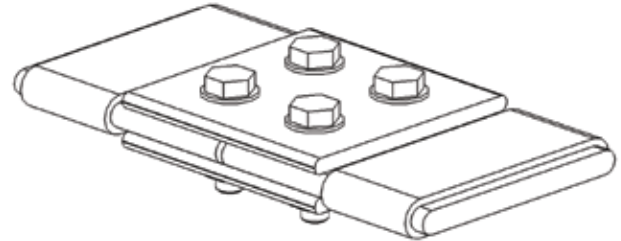
QUANTITY: \_\_\_\_\_ REQUESTED DELIVERY: \_\_\_\_\_

800.262.2111 • insulboot.com

# THRU/EXPANSION JOINT BOOT CONNECTION



Seam on edge shown.



Seam on edge shown.



# THRU/EXPANSION JOINT BOOT CONNECTION

All part numbers listed on this page are available within 48 hours without tooling or setup charges.

If you don't see your particular part listed please call 800.262.2111 or fill in your request and fax the FastFax form supplied.

TYPE FIG.	CAVITY LENGTH	SEAM LOCATION (E-EDGE) (C-CENTER)	NUMBER OF BUSS	BUSS THICKNESS	MAIN BUSS THICKNESS	PDM P/N:
TRU #1	4.00"	C	1	3/4"	4"	I-0948
TRU #1	4.00"	E	1	5/8"	4"	I-0976
TRU #1	4.00"	C	1	5/8"	6.25"	I-0977
TRU #1	4.50"	C	1	3/8"	3"	I-0001
TRU #1	4.50"	C	1	1/2"	4"	I-0034
TRU #1	4.50"	C	1	1/2"	4"	I-0036
TRU #1	4.50"	C	1	1/2"	6"	I-0043
TRU #1	4.50"	C	1	1/2"	6"	I-0044
TRU #1	4.50"	E	1	3/8"	3"	I-0063
TRU #1	4.50"	E	1	1/2"	3"	I-0096
TRU #1	4.50"	E	1	3/8"	4"	I-0124
TRU #1	4.50"	E	1	1/2"	4"	I-0148
TRU #1	4.50"	E	1	1/4"	4"	I-0169
TRU #1	4.50"	E	1	1/4"	2"	I-0170
TRU #1	4.50"	C	1	1/4"	6"	I-0188
TRU #1	4.50"	C	1	1/4"	3"	I-0290
TRU #1	4.50"	E	1	3/4"	4"	I-0336
TRU #1	4.50"	E	1	1/4"	6"	I-0424
TRU #1	4.50"	E	1	1/2"	2"	I-0480
TRU #1	4.50"	C	1	1/4"	2"	I-0518
TRU #1	4.50"	C	1	1/4"	4"	I-0520
TRU #1	4.50"	E	1	1/2"	8"	I-0558
TRU #1	4.50"	E	1	1/4"	5"	I-0656
TRU #1	4.50"	C	1	3/8"	6"	I-0752
TRU #1	4.50"	E	1	3/8"	4"	I-0987
TRU #1	4.50"	C	1	3/8"	6"	I-1018
TRU #1	5.00"	C	1	1/4"	4.25"	I-0971
TRU #1	6.50"	E	1	1/2"	4"	I-0008
TRU #1	6.50"	E	1	1/2"	6"	I-0099
TRU #1	6.50"	E	1	1/2"	5"	I-0563
TRU #1	6.50"	C	1	1/2"	6"	I-0568
TRU #1	6.50"	E	1	1/4"	3"	I-0638
TRU #1	6.50"	E	1	1/4"	6"	I-0732
TRU #1	6.50"	E	1	3/8"	3"	I-1001

PT tap available on all connections.

To order or ask about our **FREE design services** call, email or fax using our FastFax form in the back of this catalog.

Toll-Free 800.262.2111 • sales@insulboot.com • Fax 215.766.2222 • insulboot.com

Copyright © 2011 PLASTIC DIP MOLDINGS, INC.

**INSULBOOT®**  
DON'T TAPE IT, INSULBOOT IT!™

# THRU/EXPANSION JOINT BOOT CONNECTION

All part numbers listed on this page are available within 48 hours without tooling or setup charges.

If you don't see your particular part listed please call 800.262.2111 or fill in your request and fax the FastFax form supplied.

TYPE FIG.	CAVITY LENGTH	SEAM LOCATION (E-EDGE) (C-CENTER)	NUMBER OF BUSS	BUSS THICKNESS	MAIN BUSS THICKNESS	PDM P/N:
TRU #1	6.88"	E	1	3/8"	3"	I-0997
TRU #1	8.50"	E	1	1/4"	4"	I-0071
TRU #1	8.50"	E	1	1/4"	4"	I-0212
TRU #1	8.50"	E	1	1/2"	3"	I-0174
TRU #1	8.50"	E	1	1/2"	4"	I-0211
TRU #1	8.50"	E	1	1/4"	2"	I-0264
TRU #1	8.50"	C	1	1/2"	4"	I-0620
TRU #1	8.50"	E	1	1/2"	5"	I-0650
TRU #1	8.50"	E	1	1/4"	3"	I-0823
TRU #1	8.75"	E	1	1/2"	8"	I-1012
TRU #1	9.00"	E	1	1/2"	8"	I-0953
TRU #1	13.00"	E	1	1/2"	8"	I-0964
TRU #1	13.50"	E	1	1/2"	3"	I-0168
TRU #1	13.50"	E	1	1/2"	8"	I-0235
TRU #1	13.50"	E	1	1/2"	5"	I-0239
TRU #1	13.50"	C	1	1/4"	3"	I-0555
TRU #1	13.50"	E	1	1/4"	3"	I-0822
TRU #1	10.50"	E	1	1/2"	4"	I-0120
TRU #1	12.25"	E	1	1/2"	6"	I-0019
TRU #1	12.25"	E	1	1/2"	4"	I-0601
TRU #1	12.50"	E	1	1/2"	4"	I-0816

PT tap available on all connections.

# THRU/EXPANSION JOINT BOOT CONNECTION

All part numbers listed on this page are available within 48 hours without tooling or setup charges.

If you don't see your particular part listed please call 800.262.2111 or fill in your request and fax the FastFax form supplied.

TYPE FIG.	CAVITY LENGTH	SEAM LOCATION (E-EDGE) (C-CENTER)	NUMBER OF BUSS	BUSS THICKNESS	MAIN BUSS THICKNESS	PDM P/N:
TRU #2	4.00"	E	2	1/2"	8"	I-0949
TRU #2	4.50"	C	2	3/8"	4"	I-0039
TRU #2	4.50"	C	2	3/8"	6"	I-0040
TRU #2	4.50"	C	2	1/4"	4"	I-0062
TRU #2	4.50"	C	2	1/4"	3"	I-0076
TRU #2	4.50"	E	3	1/2"	6"	I-0153
TRU #2	4.50"	C	3	1/2"	6"	I-0242
TRU #2	4.50"	C	3	1/4"	3"	I-0269
TRU #2	4.50"	C	3	3/8"	6"	I-0744
TRU #2	4.50"	C	2	3/8"	3"	I-0824
TRU #2	4.50"	E	3	1/2"	6"	I-1027
TRU #2	4.50"	E	3	3/8"	4"	I-0955
TRU #2	5.00"	C	2	1/4"	4"	I-1010
TRU #2	5.00"	C	2	1/4"	6"	I-1011
TRU #2	6.50"	E	2	1/2"	6"	I-0129
TRU #2	6.50"	E	3	1/2"	6"	I-0136
TRU #2	6.50"	E	2	3/8"	6"	I-0152
TRU #2	6.50"	E	2	1/2"	4"	I-0470
TRU #2	6.50"	C	2	3/8"	6"	I-0754
TRU #2	6.50"	E	2	1/2"	3"	I-0795
TRU #2	6.50"	E	2	3/8"	6"	I-0994
TRU #2	7.00"	C	2	1/4"	6"	I-0947
TRU #2	7.50"	E	4	3/8"	6"	I-0875
TRU #2	8.50"	E	4	1/2"	4"	I-0157
TRU #2	8.50"	E	2	1/2"	6"	I-0696
TRU #2	8.50"	E	2	1/4"	4"	I-0796
TRU #2	8.50"	E	4	1/4"	2"	I-0877
TRU #2	13.50"	E	3	1/2"	6"	I-0090
TRU #2	13.50"	E	3	1/2"	5"	I-0705

PT tap available on all connections.

To order or ask about our **FREE design services** call, email or fax using our FastFax form in the back of this catalog.

Toll-Free 800.262.2111 • sales@insulboot.com • Fax 215.766.2222 • insulboot.com

Copyright © 2011 PLASTIC DIP MOLDINGS, INC.

**INSULBOOT®**  
DON'T TAPE IT, INSULBOOT IT!™

# THRU/EXPANSION JOINT BOOT CONNECTION

All part numbers listed on this page are available within 48 hours without tooling or setup charges.

If you don't see your particular part listed please call 800.262.2111 or fill in your request and fax the FastFax form supplied.

TYPE FIG.	CAVITY LENGTH	SEAM LOCATION (E-EDGE) (C-CENTER)	NUMBER OF BUSS	BUSS THICKNESS	MAIN BUSS THICKNESS	PDM P/N:
TRU #2	10.00"	E	2	1/4"	5"	I-0529
TRU #2	10.00"	E	2	1/4"	5"	I-0961
TRU #2	13.62"	C	3	1/2"	4"	I-0980
TRU #2	15.00"	E	3	3/8"	6"	I-0699
TRU #3	4.50"	E	1	1/2"	2"	I-0066
TRU #3	4.50"	E	1	1/4"	5"	I-0197
TRU #3	4.50"	E	1	1/4"	6"	I-0200
TRU #3	4.50"	E	1	3/4"	3"	I-0206
TRU #3	4.50"	E	1	1/2"	3"	I-0228
TRU #3	4.50"	E	1	1/2"	4"	I-0234
TRU #3	4.50"	E	1	1/4"	4"	I-0329
TRU #3	4.50"	E	1	1/2"	5"	I-0330
TRU #3	4.50"	E	1	1/4"	3"	I-0332
TRU #3	4.50"	E	1	3/8"	6"	I-0695
TRU #3	4.50"	E	1	1/4"	3"	I-0957
TRU #3	5.00"	E	1	1"	4"	I-1000
TRU #3	5.50"	C	1	3/4"	6"	I-1004
TRU #3	6.50"	E	1	3/4"	4"	I-0230
TRU #3	6.50"	E	1	1/4"	6"	I-0261
TRU #4	4.50"	E	2	3/8"	3"	I-0243
TRU #4	4.50"	E	2	1/2"	4"	I-0703
TRU #4	4.50"	E	2	5/8"	6"	I-0769
TRU #4	4.50"	E	2	3/8"	6"	I-0771
TRU #4	4.50"	E	2	1/2"	6"	I-0801
TRU #4	4.50"	E	2	1/4"	4"	I-0802
TRU #4	4.50"	E	2	1/2"	3"	I-0803
TRU #4	4.50"	C	2	1/2"	2"	I-0993
TRU #4	8.50"	C	2	1/2"	6"	I-1163
TRU #4	8.50"	E	2	1/2"	4"	I-0989
TRU #4	8.50"	E	2	3/8"	6"	I-0669
TRU #4	8.50"	E	2	1/2"	6"	I-0743

PT tap available on all connections.

It's easy: just fill in and fax to 215.766.2222

**FASTFAX**

# INSULBOOT® THRU/EXPANSION JOINT BOOT CONNECTION

**Standard Range** - Our standard range of Thru/Expansion Joint Boot Connection exceeds 184 different configurations. Main Bus size and Riser size range from 1/4" by 2" to 3/4" by 8". PT Tap may be added.

**Free Design Services** - Email or fax your Bus layout and we will design and supply drawings of the InsulBoot® to suit your needs, usually within 2-3 days. Email sales@insulboot.com or fax 215.766.2222.

**Custom InsulBoot®** - If it is not possible to meet your specifications from our range of standards, we will design and mold a custom InsulBoot® to suit your applications, usually within 7 days.



CONNECTOR TYPE  
CHECK ONE:

 1 2 3 4

PROVIDE BUS SIZE:

X

THICKNESS

WIDTH

If PT Tap is required, please mark position and size in sketch area provided.

Bus Insulation

THICKNESS

SELECT BOLTING  
CAVITY AREA:

 4 1/2"  6 1/2"  8 1/2"  13 1/2"

KV Rating

Use this area for additional notes, details or sketch of your own custom needs:

**INSULBOOT ONLY:**

INSULBOOT PART #

DELIVERY TIME

PRICE

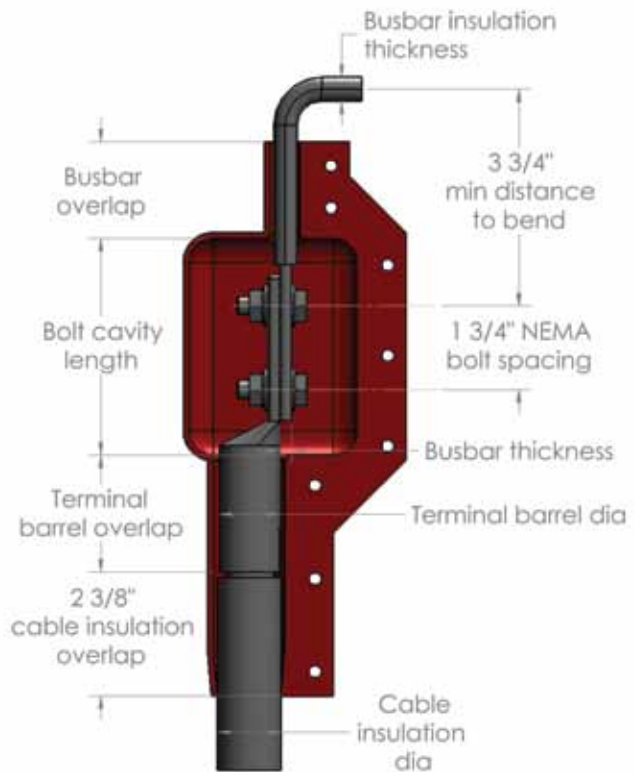
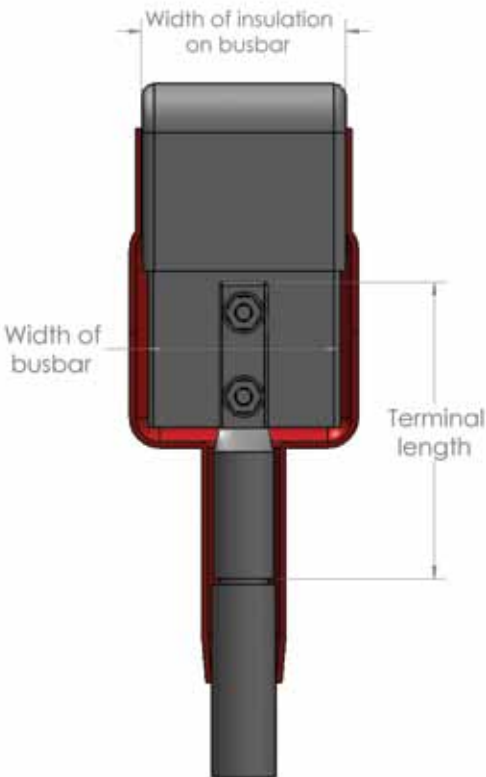
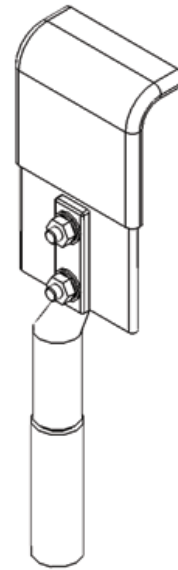
NAME: \_\_\_\_\_ COMPANY: \_\_\_\_\_

FAX: \_\_\_\_\_ PHONE: \_\_\_\_\_ E-MAIL: \_\_\_\_\_

QUANTITY: \_\_\_\_\_ REQUESTED DELIVERY: \_\_\_\_\_

800.262.2111 • insulboot.com

# CABLE TERMINATION BOOT



To order or ask about our **FREE design services** call, email or fax using our FastFax form in the back of this catalog.

Toll-Free 800.262.2111 • sales@insulboot.com • Fax 215.766.2222 • insulboot.com

Copyright © 2011 PLASTIC DIP MOLDINGS, INC.

**INSULBOOT**<sup>®</sup>  
DON'T TAPE IT, INSULBOOT IT!<sup>™</sup>

# CABLE TERMINATION BOOT

All part numbers listed on this page are available within 48 hours without tooling or setup charges.

If you don't see your particular part listed please call 800.262.2111 or fill in your request and fax the FastFax form supplied.

TYPE FIG.	NUMBER OF BUSS	BUSS THICKNESS	MAIN BUSS WIDTH	BUSS DIRECTION (V-VERTICAL) (90-90° BEND) (45-45° BEND)	NUMBER OF CABLES PER CONNECTION	MAXIMUM CABLE SIZE IN DIAMETER	PDM P/N:
CBL #1	1	1/2"	2"	V	1	2.25"	I-0048
CBL #1	1	1/2"	4"	V	1	2.12"	I-0149
CBL #1	1	1/4"	2"	V	1	2.00"	I-0151
CBL #1	1	1/4"	3"	V	1	1.88"	I-0178
CBL #1	1	1/2"	3"	V	1	1.5"	I-0195
CBL #1	1	1/4"	2"	V	1	.75"	I-0196
CBL #1	1	1/4"	2"	V	1	1.88"	I-0308
CBL #1	1	1/4"	4"	V	1	1.50"	I-0511
CBL #1	1	3/4"	4"	V	1	1.50"	I-0580
CBL #1	1	1/4"	4"	V	1	2.25"	I-0866
CBL #1	1	1/2"	4"	45	1	1.50"	I-0117
CBL #1	1	3/8"	4"	V	1	1.50"	I-0281
CBL #1	1	1/2"	3"	90	2	1.50"	I-0637
CBL #1	1	1/4"	3"	V	1	1.25"	I-0990
CBL #1	1	1/4"	4"	90	1	2.25"	I-0952
CBL #1	1	1/4"	2"	V	2	1.00"	I-0956
CBL #1	1	1/4"	3"	V	1	1.25"	I-0990
CBL #1	1	1/4"	4"	90	4	2.00"	I-0992
CBL #1	1	1/4"	6"	V	1	1.38"	I-1020
CBL #1	1	3/8"	4"	V	1	2.75"	I-1022
CBL #2	1	1/2"	4"	V	4	1.75"	I-0065
CBL #2	1	1/4"	3"	90	2	1.50"	I-0300
CBL #2	1	1/4"	3"	90	2	1.50"	I-0301
CBL #2	1	1/4"	3"	90	4	1.75"	I-0302
CBL #2	1	1/4"	3"	V	4	1.75"	I-0303
CBL #2	1	3/8"	4"	90	4	1.75"	I-0343
CBL #2	1	1/2"	4"	V	2	2.25"	I-0395
CBL #2	1	3/8"	4"	90	4	1.75"	I-0426
CBL #2	1	1/4"	4"	V	2	2.00"	I-0471
CBL #2	1	1/4"	6"	V	2	2.00"	I-0280
CBL #2	2	1/4"	4"	90	4	1.75"	I-0825

PT tap available on all connections.

# CABLE TERMINATION BOOT

All part numbers listed on this page are available within 48 hours without tooling or setup charges.

If you don't see your particular part listed please call 800.262.2111 or fill in your request and fax the FastFax form supplied.

TYPE FIG.	NUMBER OF BUSS	BUSS THICKNESS	MAIN BUSS WIDTH	BUSS DIRECTION (V-VERTICAL) (90-90° BEND) (45-45° BEND)	NUMBER OF CABLES PER CONNECTION	MAXIMUM CABLE SIZE IN DIAMETER	PDM P/N:
CBL #2	1	1/4"	3"	V	1 offset	1.00"	I-0966
CBL #2	1	1/4"	4"	90	1 offset	.88"	I-0968
CBL #2	1	1/4"	4"	90	4	1.50"	I-0986
CBL #2	1	3/8"	4"	V	2	1.38"	I-0998
CBL #2	1	3/8"	4"	V	2	1.00"	I-1019
CBL #2	1	3/8"	6"	V	2	1.75"	I-1021
CBL #3 & #4	1	3/8"	5"	V	6	1.75"	I-0747
CBL #3 & #4	1	1/2"	6"	V	6	2.25"	I-0333
CBL #3 & #4	1	1/4"	6"	V	3	1.50"	I-0421
CBL #3 & #4	1	1/2"	6"	90	6	2.00"	I-0069
CBL #3 & #4	2	1/2"	6"	V	6	2.00"	I-0725
CBL #3 & #4	1	1/4"	4"	90	3	1.50"	I-0972
CBL #3 & #4	1	1/2"	6"	V	2	1.00"	I-0974
CBL #3 & #4	1	3/8"	6"	V	1	1.75"	I-0984

PT tap available on all connections.

To order or ask about our **FREE design services** call, email or fax using our FastFax form in the back of this catalog.

Toll-Free 800.262.2111 • sales@insulboot.com • Fax 215.766.2222 • insulboot.com

Copyright © 2011 PLASTIC DIP MOLDINGS, INC.



It's easy: just fill in and fax to 215.766.2222

**FASTFAX**

# INSULBOOT® CABLE TERMINATION BOOT

**Standard Range** - Our standard range of Cable Termination Boot exceeds 60 different configurations. Main Bus size and Riser size range from 1/4" by 2" to 3/4" by 8".

**Free Design Services** - Email or fax your Bus layout and we will design and supply drawings of the InsulBoot® to suit your needs, usually within 2-3 days. Email sales@insulboot.com or fax 215.766.2222.

**Custom InsulBoot®** - If it is not possible to meet your specifications from our range of standards, we will design and mold a custom InsulBoot® to suit your applications, usually within 7 days.



CONNECTOR TYPE  
CHECK ONE:

 **1** **2** **3** **4**

PROVIDE BUS SIZE:

x

THICKNESS

WIDTH

If PT Tap is required, please mark position and size in sketch area provided.

Bus Insulation

THICKNESS

PROVIDE CABLE SIZE:

KV Rating

Use this area for additional notes, details or sketch of your own custom needs:

**INSULBOOT ONLY:**

INSULBOOT PART #

DELIVERY TIME

PRICE

NAME: \_\_\_\_\_ COMPANY: \_\_\_\_\_

FAX: \_\_\_\_\_ PHONE: \_\_\_\_\_ E-MAIL: \_\_\_\_\_

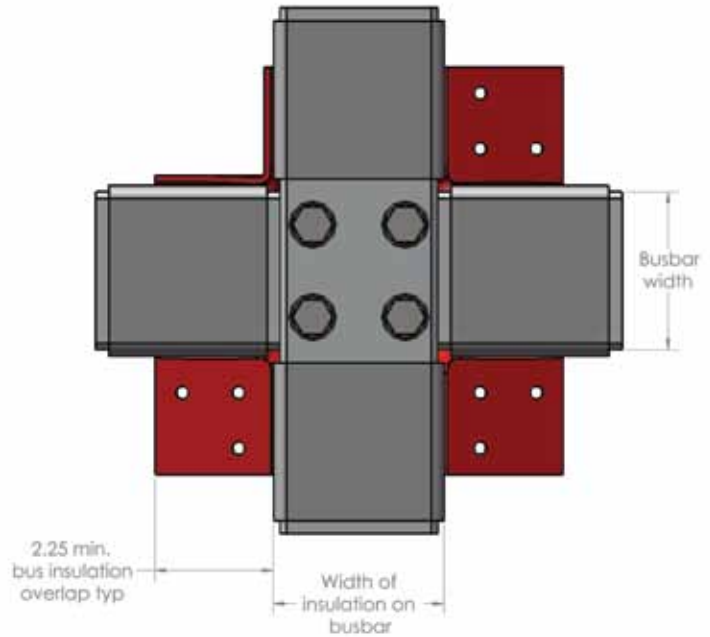
QUANTITY: \_\_\_\_\_ REQUESTED DELIVERY: \_\_\_\_\_

800.262.2111 • insulboot.com

# CROSS CONNECTION BOOT

All part numbers listed on this page are available within 48 hours without tooling or setup charges.

If you don't see your particular part listed please call 800.262.2111 or fill in your request and fax the FastFax form supplied.



TYPE FIG.	NUMBER OF BUSS	MAIN BUSS THICKNESS	MAIN BUSS WIDTH	NUMBER OF BUSS	RISER THICKNESS	RISER WIDTH	RISER: (S-STRAIGHT) (90° BEND/ DISTANDS FROM CENTER TO BEND	PDM P/N:
CROSS #1	1	1/2"	6"	1	3/8"	3"	S	I-0183
CROSS #1	1	1/4"	6"	1	1/4"	6"	S	I-0217
CROSS #1	1	1/2"	4"	1	1/2"	3"	S	I-0227
CROSS #1	1	1/2"	3"	1	1/2"	3"	S	I-0229
CROSS #2	2	1/2"	6"	2	1/2"	6"	90 - 3.38"	I-0010
CROSS #2	2	1/4"	4"	2	1/4"	4"	90 - 3.38"	I-0010
CROSS #2	2	1/2"	6"	4	1/2"	6"	90 - 3.38"	I-0011
CROSS #2	2	1/4"	4"	4	1/4"	4"	90 - 3.38"	I-0011
CROSS #2	2	1/2"	6"	4	1/2"	6"	90 - 3.38"	I-0631
CROSS #2	2	3/8"	6"	4	3/8"	6"	90 - 3.38"	I-0631

PT tap available on all connections.

It's easy: just fill in and fax to 215.766.2222

**FASTFAX**

# INSULBOOT® CROSS CONNECTION BOOT

**Standard Range** - Our standard range of Cross Connection Boot exceeds 200 different configurations. Main Bus size and Riser size range from 1/4" by 2" to 3/4" by 8".

**Free Design Services** - Email or fax your Bus layout and we will design and supply drawings of the InsulBoot® to suit your needs, usually within 2-3 days. Email sales@insulboot.com or fax 215.766.2222.

**Custom InsulBoot®** - If it is not possible to meet your specifications from our range of standards, we will design and mold a custom InsulBoot® to suit your applications, usually within 7 days.



CONNECTOR TYPE  
CHECK ONE:

 **1** **2**

PROVIDE BUS SIZE:

X

THICKNESS

WIDTH

If PT Tap is required, please mark position and size in sketch area provided.

Bus Insulation

THICKNESS

PROVIDE TAP/  
RISER SIZE:

X

THICKNESS

WIDTH

KV Rating

Use this area for additional notes, details or sketch of your own custom needs:

**INSULBOOT ONLY:**

INSULBOOT PART #

DELIVERY TIME

PRICE

NAME: \_\_\_\_\_ COMPANY: \_\_\_\_\_

FAX: \_\_\_\_\_ PHONE: \_\_\_\_\_ E-MAIL: \_\_\_\_\_

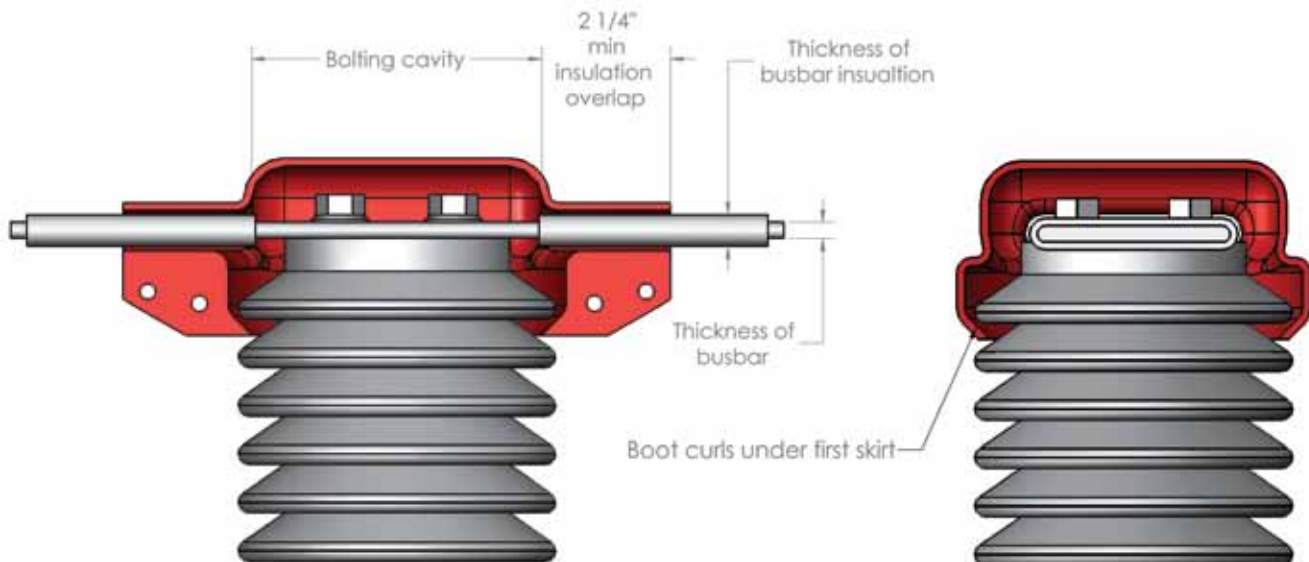
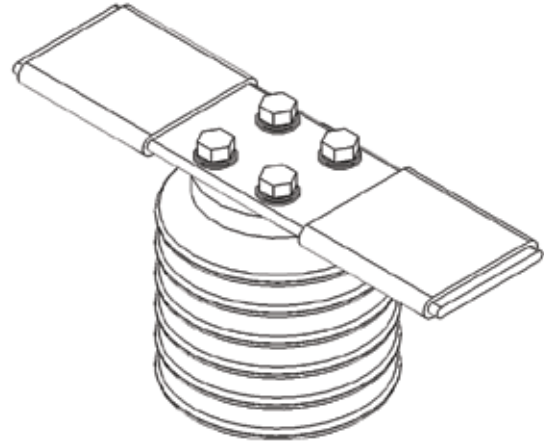
QUANTITY: \_\_\_\_\_ REQUESTED DELIVERY: \_\_\_\_\_

800.262.2111 • insulboot.com

# STAND OFF CONNECTION

All part numbers listed on this page are available within 48 hours without tooling or setup charges.

If you don't see your particular part listed please call 800.262.2111 or fill in your request and fax the FastFax form supplied.



# STAND OFF CONNECTION

All part numbers listed on this page are available within 48 hours without tooling or setup charges.

If you don't see your particular part listed please call 800.262.2111 or fill in your request and fax the FastFax form supplied.

TYPE FIG.	NUMBER OF BUSS	MAIN BUSS THICKNESS	MAIN BUSS WIDTH	INSULATOR DIAMETER MIN-MAX	PDM P/N:
STF #1	1	3/4"	1"	3.25"-4.50"	I-0002
STF #1	1	1/4"	4"	3.25"-4.50"	I-0006
STF #1	1	1/2"	4"	3.00"-4.00"	I-0007
STF #1	1	1/2"	2"	3.25"-4.50"	I-0057
STF #1	1	1/2"	3"	3.25"-4.50"	I-0067
STF #1	2	1/4"	3"	3.25"-4.50"	I-0077
STF #1	2	3/8"	6"	3.25"-4.50"	I-0080
STF #1	1	1/4"	2"	3.25"-4.50"	I-0214
STF #1	1	1/4"	6"	3.25"-4.50"	I-0216
STF #1	1	1/4"	3"	3.25"-4.50"	I-0241
STF #1	2	1/2"	4"	3.25"-4.50"	I-0319
STF #1	1	1/2"	6"	3.25"-4.50"	I-0349
STF #1	1	3/8"	4"	4.00"-4.25"	I-0435
STF #1	1	1/4"	3"	6.00"	I-0452
STF #1	1	1/4"	4"	2.50"-4.00"	I-0566
STF #1	1	1/4"	4"	2.50"-4.00"	I-0567
STF #1	1	3/8"	3"	3.25"-4.50"	I-0581
STF #1	2	1/2"	6"	3.25"-4.50"	I-0604
STF #1	1	1/2"	4"	5.50"	I-0621
STF #1	1	3/4"	4"	3.25"-4.50"	I-0647
STF #1	3	3/8"	6"	3.25"-4.50"	I-0745
STF #1	2	5/8"	6"	6.00"	I-0768
STF #1	2	1/4"	4"	3.25"-4.50"	I-0809
STF #1	1	1/4"	5"	3.25"-4.50"	I-0837
STF #1	4	1/4"	6"	3.25"-4.50"	I-0872
STF #1	1	1/4"	4"	5.50"	I-0891
STF #1	1	3/4"	3"	3.25"-4.50"	I-0892
STF #1	1	1"	4"	4.25"	I-0982
STF #1	1	1/4"	3"	3.00"	I-1014
STF #1	1	1/4"	4"	3.25"	I-1005
STF #1	1	1/4"	4"	6.00"	I-1009
STF #1	1	1/4"	4"	3.00"	I-1024
STF #1	1	3/8"	3"	2.50"	I-1008

PT tap available on all connections.

To order or ask about our **FREE design services** call, email or fax using our FastFax form in the back of this catalog.

Toll-Free 800.262.2111 • sales@insulboot.com • Fax 215.766.2222 • insulboot.com

Copyright © 2011 PLASTIC DIP MOLDINGS, INC.

**INSULBOOT®**  
DON'T TAPE IT, INSULBOOT IT!™



# STAND OFF CONNECTION

All part numbers listed on this page are available within 48 hours without tooling or setup charges.

If you don't see your particular part listed please call 800.262.2111 or fill in your request and fax the FastFax form supplied.

TYPE FIG.	NUMBER OF BUSS	MAIN BUSS THICKNESS	MAIN BUSS WIDTH	INSULATOR DIAMETER MIN-MAX	PDM P/N:
STF #1	2	1/2"	4"	4"-4.38"	I-0973
STF #1	2	1/2"	4"	3.4"-4.5"	I-0995
STF #1	2	3/8"	3"	4.00"	I-0965
STF #1	2	3/8"	4"	3.00"	I-1023
STF #1	2	3/8"	5"	4.00"	I-0967
STF #1	2	5/8"	4"	4.00"	I-0969
STF #2	1	3/4"	3"	3.25"-4.50"	I-0207
STF #2	2	3/8"	3"	3.25"-4.50"	I-0838
STF #4	1	3/4"	3"	3.25"-4.50"	I-0208
STF #5	1	1"	5"	4.50"	I-0962
STF #5	1	1/4"	4"	2.90"	I-0963

PT tap available on all connections.

To order or ask about our **FREE design services** call, email or fax using our FastFax form in the back of this catalog.

Toll-Free 800.262.2111 • sales@insulboot.com • Fax 215.766.2222 • insulboot.com

Copyright © 2011 PLASTIC DIP MOLDINGS, INC.

**INSULBOOT®**  
DON'T TAPE IT, INSULBOOT IT!™

It's easy: just fill in and fax to 215.766.2222

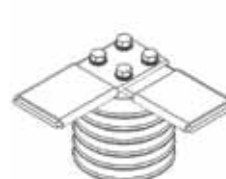
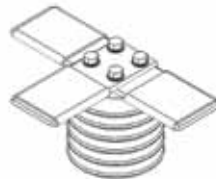
**FASTFAX**

# INSULBOOT® STAND OFF CONNECTION

**Standard Range** - Our standard range of Stand Off Connection exceeds 180 different configurations. Main Bus size and Riser size range from 1/4" by 2" to 3/4" by 8".

**Free Design Services** - Email or fax your Bus layout and we will design and supply drawings of the InsulBoot® to suit your needs, usually within 2-3 days. Email sales@insulboot.com or fax 215.766.2222.

**Custom InsulBoot®** - If it is not possible to meet your specifications from our range of standards, we will design and mold a custom InsulBoot® to suit your applications, usually within 7 days.



1

2

3

4

5

CONNECTOR TYPE CHECK ONE:

<b>PROVIDE BUS SIZE:</b> <input type="text"/> X <input type="text"/> THICKNESS                  WIDTH	If PT Tap is required, please mark position and size in sketch area provided.
	<b>Bus Insulation</b> <input type="text"/> THICKNESS
<b>PROVIDE TAP/ RISER SIZE:</b> <input type="text"/> X <input type="text"/> THICKNESS                  WIDTH	<b>KV Rating</b> <input type="text"/>

**PROVIDE INSULATOR SIZE:**   
 DIAMETER

Use this area for additional notes, details or sketch of your own custom needs:

**INSULBOOT ONLY:**

INSULBOOT PART #

DELIVERY TIME

PRICE

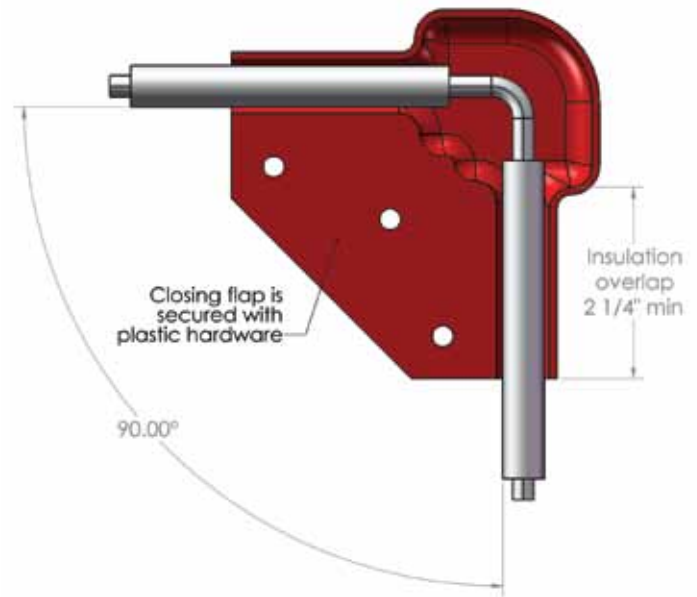
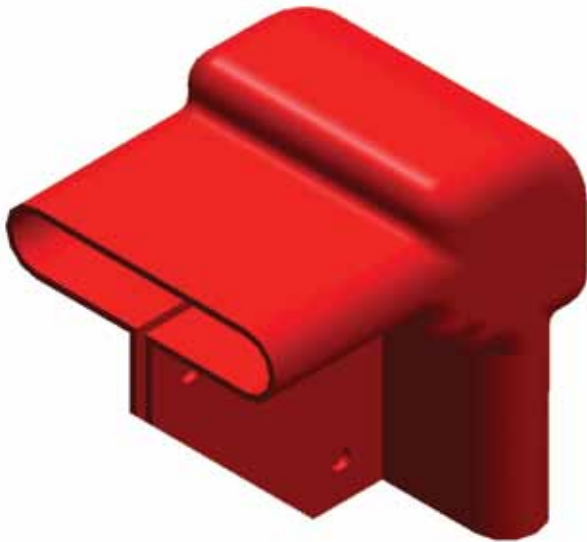
NAME: \_\_\_\_\_ COMPANY: \_\_\_\_\_  
 FAX: \_\_\_\_\_ PHONE: \_\_\_\_\_ E-MAIL: \_\_\_\_\_  
 QUANTITY: \_\_\_\_\_ REQUESTED DELIVERY: \_\_\_\_\_

800.262.2111 • insulboot.com

# CORNER CONNECTION

All part numbers listed on this page are available within 48 hours without tooling or setup charges.

If you don't see your particular part listed please call 800.262.2111 or fill in your request and fax the FastFax form supplied.



TYPE FIG.	NUMBER OF BUSS	MAIN BUSS THICKNESS	MAIN BUSS WIDTH	PDM P/N:
COR #1	1	1/2"	2"	I-0323
COR #1	1	1/4"	4"	I-0324
COR #1	1	1/2"	3"	I-0456
COR #1	2	1/4"	3"	I-0714
COR #1	1	1/4"	6"	I-0811
COR #1	1	3/8"	3"	I-0813
COR #1	1	1"	4" w/pt	I-0991
COR #1	1	1"	4"	I-0999
COR #1	1	1/4"	4"	I-0981

PT tap available on all connections.



It's easy: just fill in and fax to 215.766.2222

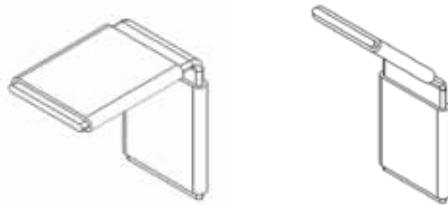
**FASTFAX**

# INSULBOOT® CORNER CONNECTION

**Standard Range** - Our standard range of Corner Connection exceeds 20 different configurations. Main Bus sizes from 1/4" by 2" to 3/4" by 8".

**Free Design Services** - Email or fax your Bus layout and we will design and supply drawings of the InsulBoot® to suit your needs, usually within 2-3 days. Email sales@insulboot.com or fax 215.766.2222.

**Custom InsulBoot®** - If it is not possible to meet your specifications from our range of standards, we will design and mold a custom InsulBoot® to suit your applications, usually within 7 days.



CONNECTOR TYPE  
CHECK ONE:

 **1** **2**

PROVIDE BUS SIZE:

x

THICKNESS

WIDTH

If PT Tap is required, please mark position and size in sketch area provided.

Bus Insulation

THICKNESS

KV Rating

Use this area for additional notes, details or sketch of your own custom needs:

**INSULBOOT ONLY:**

INSULBOOT PART #

DELIVERY TIME

PRICE

NAME: \_\_\_\_\_ COMPANY: \_\_\_\_\_

FAX: \_\_\_\_\_ PHONE: \_\_\_\_\_ E-MAIL: \_\_\_\_\_

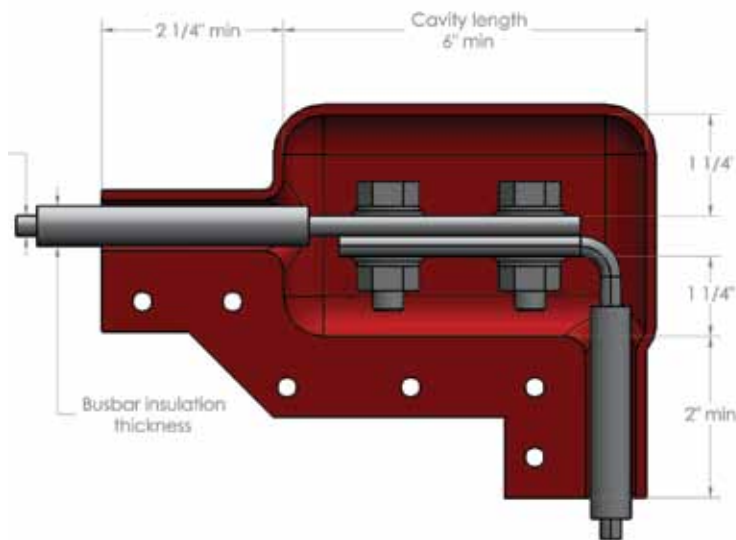
QUANTITY: \_\_\_\_\_ REQUESTED DELIVERY: \_\_\_\_\_

800.262.2111 • insulboot.com

# 90 DEGREE END CONNECTION

All part numbers listed on this page are available within 48 hours without tooling or setup charges.

If you don't see your particular part listed please call 800.262.2111 or fill in your request and fax the FastFax form supplied.



TYPE FIG.	NUMBER OF BUSS	MAIN BUSS THICKNESS	MAIN BUSS WIDTH	NUMBER OF BUSS	RISER THICKNESS	RISER WIDTH	CAVITY LENGTH	PDM P/N:
#1	1	1/2"	4"	1	1/2"	4"	6.00"	I-0091
#1	1	3/8"	3"	1	3/8"	3"	6.00"	I-0098
#1	1	1/4"	2"	1	1/4"	2"	6.00"	I-0172
#1	1	3/8"	4"	1	1/4"	4"	8.25"	I-0210
#1	1	1/4"	4"	1	3/8"	4"	6.00"	I-0244
#1	1	3/4"	4"	1	1/4"	2"	4.50"	I-0311
#1	1	1/4"	4"	1	3/4"	4"	6.00"	I-0312
#1	1	1/4"	4"	1	1/4"	4"	4.50"	I-0331
#1	1	1/4"	6"	1	1/4"	6"	6.00"	I-0544
#1	1	1/4"	2"	1	1/4"	2"	3.25"	I-0635
#1	1	3/8"	6"	1	3/8"	6"	6.50"	I-0751
#1	1	3/4"	3"	2	3/8"	3"	5.50"	I-1006
#2	2	1/2"	4"	2	1/2"	4"	6.00"	I-0313
#2	2	1/4"	4"	1	1/4"	4"	6.00"	I-0798
#2	2	1/2"	6"	1	1/2"	6"	6.00"	I-0799
#2	2	1/2"	3"	1	1/2"	3"	6.00"	I-0800

PT tap available on all connections.

To order or ask about our **FREE design services** call, email or fax using our FastFax form in the back of this catalog.

Toll-Free 800.262.2111 • sales@insulboot.com • Fax 215.766.2222 • insulboot.com

Copyright © 2011 PLASTIC DIP MOLDINGS, INC.

It's easy: just fill in and fax to 215.766.2222

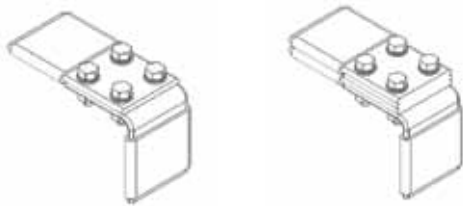
**FASTFAX**

# INSULBOOT® 90 DEGREE END CONNECTION

**Standard Range** - Our standard range of 90 Degree End Connection exceeds 64 different configurations. Main Bus size and Riser size range from 1/4" by 2" to 3/4" by 8".

**Free Design Services** - Email or fax your Bus layout and we will design and supply drawings of the InsulBoot® to suit your needs, usually within 2-3 days. Email sales@insulboot.com or fax 215.766.2222.

**Custom InsulBoot®** - If it is not possible to meet your specifications from our range of standards, we will design and mold a custom InsulBoot® to suit your applications, usually within 7 days.



CONNECTOR TYPE  
CHECK ONE:

 **1** **2**

PROVIDE BUS SIZE:

X

THICKNESS

WIDTH

If PT Tap is required, please mark position and size in sketch area provided.

Bus Insulation

THICKNESS

PROVIDE TAP/  
RISER SIZE:

X

THICKNESS

WIDTH

KV Rating

Use this area for additional notes, details or sketch of your own custom needs:

**INSULBOOT ONLY:**

INSULBOOT PART #

DELIVERY TIME

PRICE

NAME: \_\_\_\_\_ COMPANY: \_\_\_\_\_

FAX: \_\_\_\_\_ PHONE: \_\_\_\_\_ E-MAIL: \_\_\_\_\_

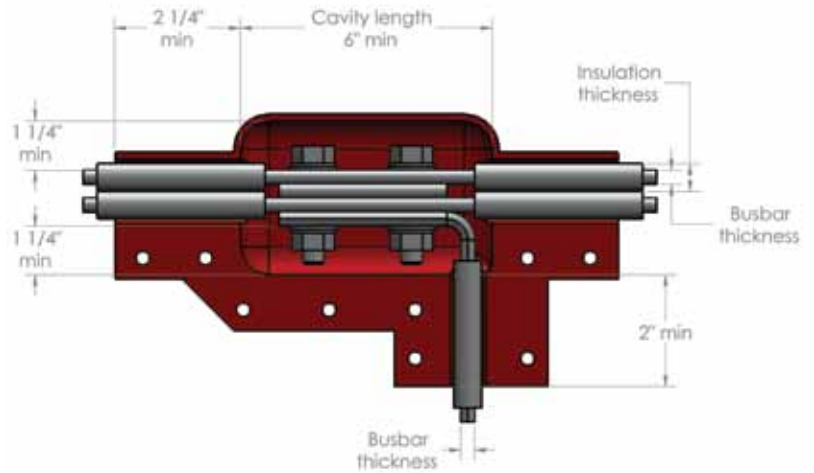
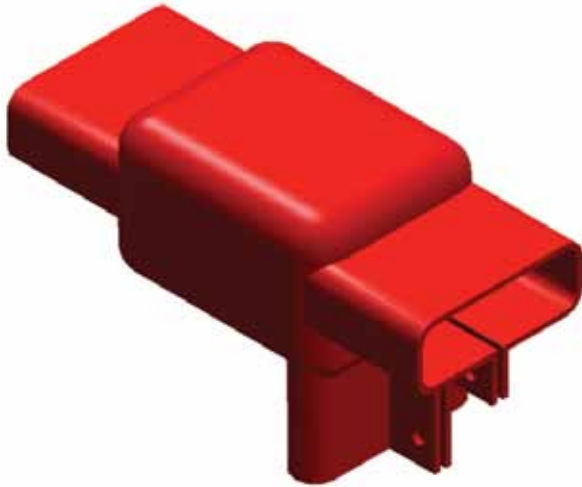
QUANTITY: \_\_\_\_\_ REQUESTED DELIVERY: \_\_\_\_\_

800.262.2111 • insulboot.com

# THRU WITH RISER CONNECTION

All part numbers listed on this page are available within 48 hours without tooling or setup charges.

If you don't see your particular part listed please call 800.262.2111 or fill in your request and fax the FastFax form supplied.



TYPE FIG.	NUMBER OF BUSS	MAIN BUSS THICKNESS	MAIN BUSS WIDTH	NUMBER OF BUSS	RISER THICKNESS	RISER WIDTH	CAVITY LENGTH	PDM P/N:
#1	1	3/8"	3"	1	3/8"	3"	3.50"	I-0038
#1	1	1/2"	4"	1	1/2"	4"	6.00"	I-0049
#1	1	1/2"	6"	1	1/2"	6"	6.00"	I-0054
#1	1	1/2"	2"	1	1/2"	2"	4.50"	I-0068
#1	1	1/4"	6"	1	1/4"	6"	4.00"	I-0081
#1	1	1/4"	2"	1	1/4"	2"	6.00"	I-0173
#1	1	1/2"	4"	1	1/2"	4"	7.50"	I-0213
#1	1	1/4"	6"	1	1/4"	6"	6.00"	I-0240
#1	1	1/2"	3"	1	1/4"	2"	6.00"	I-0309
#1	1	1/4"	4"	2	1/4"	2"	4.50"	I-0310
#1	1	1/2"	3"	1	1/2"	3"	6.00"	I-0458
#1	1	1/4"	4"	1	1/4"	4"	6.00"	I-0516
#1	1	1/2"	4"	1	1/4"	2"	6.00"	I-0643
#1	1	3/8"	4"	1	1/2"	4"	4.50"	I-0979
#2	2	3/8"	6"	1	3/8"	6"	6.00"	I-0052
#2	2	3/8"	4"	1	1/4"	4"	6.00"	I-0175
#2	2	3/8"	6"	1	3/8"	3"	6.00"	I-0687

PT tap available on all connections.

To order or ask about our **FREE design services** call, email or fax using our FastFax form in the back of this catalog.

Toll-Free 800.262.2111 • sales@insulboot.com • Fax 215.766.2222 • insulboot.com

Copyright © 2011 PLASTIC DIP MOLDINGS, INC.

**INSULBOOT®**  
DON'T TAPE IT, INSULBOOT IT!™

It's easy: just fill in and fax to 215.766.2222

**FASTFAX**

# INSULBOOT® THRU WITH RISER CONNECTION

**Standard Range** - Our standard range of Thru with Riser Connection exceeds 64 different configurations. Main Bus size and Riser size range from 1/4" by 2" to 3/4" by 8".

**Free Design Services** - Email or fax your Bus layout and we will design and supply drawings of the InsulBoot® to suit your needs, usually within 2-3 days. Email sales@insulboot.com or fax 215.766.2222.

**Custom InsulBoot®** - If it is not possible to meet your specifications from our range of standards, we will design and mold a custom InsulBoot® to suit your applications, usually within 7 days.



CONNECTOR TYPE  
CHECK ONE:

 **1** **2**

PROVIDE BUS SIZE:

X

THICKNESS

WIDTH

If PT Tap is required, please mark position and size in sketch area provided.

Bus Insulation

THICKNESS

PROVIDE TAP/  
RISER SIZE:

X

THICKNESS

WIDTH

KV Rating

Use this area for additional notes, details or sketch of your own custom needs:

**INSULBOOT ONLY:**

INSULBOOT PART #

DELIVERY TIME

PRICE

NAME: \_\_\_\_\_ COMPANY: \_\_\_\_\_

FAX: \_\_\_\_\_ PHONE: \_\_\_\_\_ E-MAIL: \_\_\_\_\_

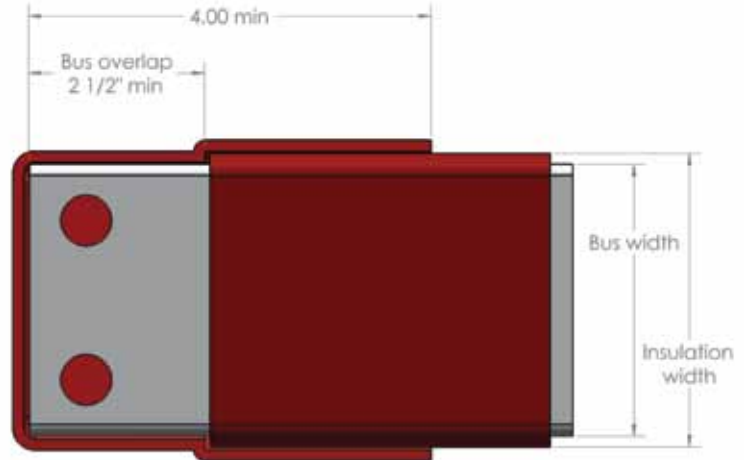
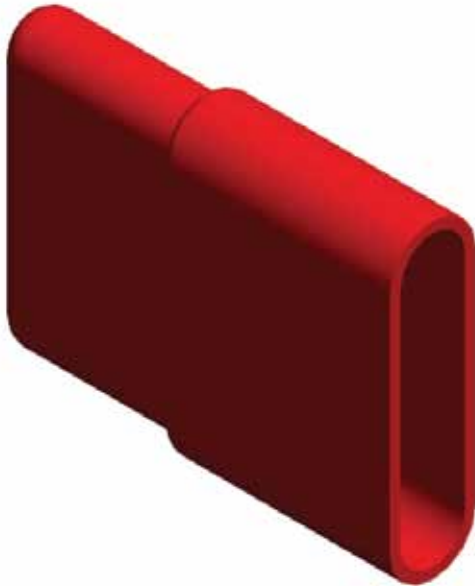
QUANTITY: \_\_\_\_\_ REQUESTED DELIVERY: \_\_\_\_\_

800.262.2111 • insulboot.com

# STUB END BOOT

All part numbers listed on this page are available within 48 hours without tooling or setup charges.

If you don't see your particular part listed please call 800.262.2111 or fill in your request and fax the FastFax form supplied.



TYPE FIG.	NUMBER OF BUSS	MAIN BUSS THICKNESS	MAIN BUSS WIDTH	PDM P/N:
STU #1	1	3/8"	4"	I-0012
STU #1	1	1/2"	6"	I-0013
STU #1	1	3/8"	6"	I-0271
STU #1	1	1/2"	4"	I-0272
STU #1	1	3/4"	4"	I-0321
STU #1	1	1/4"	4"	I-0599
STU #1	1	1/4"	2"	I-0686
STU #1	1	1/2"	6"	I-0951
STU #1	1	1/4"	6"	I-1003
STU #2	2	1/4"	2"	I-0020
STU #2	3	1/4"	4"	I-0089

PT tap available on all connections.

It's easy: just fill in and fax to 215.766.2222

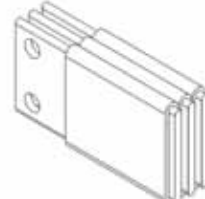
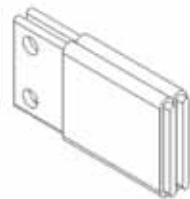
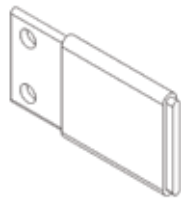
**FASTFAX**

# INSULBOOT® STUB END BOOT

**Standard Range** - Our standard range of Stub End Boot exceeds 72 different configurations. Main Bus size and Riser size range from 1/4" by 2" to 3/4" by 8".

**Free Design Services** - Email or fax your Bus layout and we will design and supply drawings of the InsulBoot® to suit your needs, usually within 2-3 days. Email sales@insulboot.com or fax 215.766.2222.

**Custom InsulBoot®** - If it is not possible to meet your specifications from our range of standards, we will design and mold a custom InsulBoot® to suit your applications, usually within 7 days.



CONNECTOR TYPE  
CHECK ONE:

 **1** **2** **3**

PROVIDE BUS SIZE:

X

THICKNESS

WIDTH

If PT Tap is required, please mark position and size in sketch area provided.

Bus Insulation

THICKNESS

PROVIDE SPACER  
SIZE:

X

THICKNESS

WIDTH

KV Rating

Use this area for additional notes, details or sketch of your own custom needs:

**INSULBOOT ONLY:**

INSULBOOT PART #

DELIVERY TIME

PRICE

NAME: \_\_\_\_\_ COMPANY: \_\_\_\_\_

FAX: \_\_\_\_\_ PHONE: \_\_\_\_\_ E-MAIL: \_\_\_\_\_

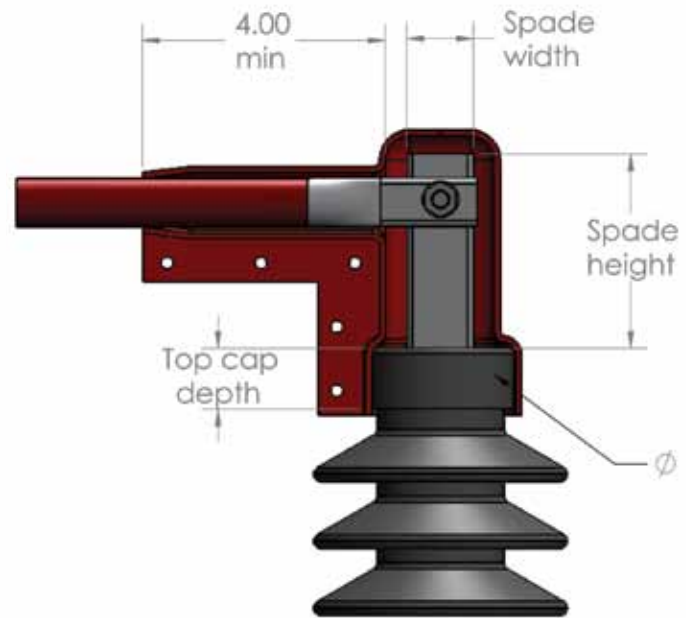
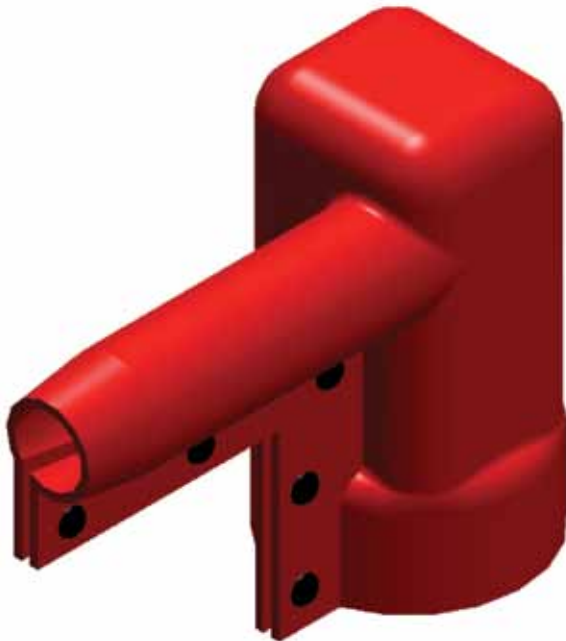
QUANTITY: \_\_\_\_\_ REQUESTED DELIVERY: \_\_\_\_\_

800.262.2111 • insulboot.com

# LIGHTNING arrestors CONNECTION

All part numbers listed on this page are available within 48 hours without tooling or setup charges.

If you don't see your particular part listed please call 800.262.2111 or fill in your request and fax the FastFax form supplied.



TYPE FIG.	NUMBER OF CABLES	DIAMETER OF CABLE MIN-MAX.	DIAMETER OF INSULATOR	PDM P/N:
LAR #1	1	.44"-.75"	3.00"	I-0127
LAR #1	1	.62"-1.25"	2.25"-2.75"	I-0560
LAR #2	1	.44"-.75"	3.00"	I-0232
LAR #2	1	.50"-.88"	4.75"	I-0270
LAR #2	2	.50"-.88"	4.75"	I-0444
LAR #2	1	.62"-1.00"	2.25"	I-1007

PT tap available on all connections.



It's easy: just fill in and fax to 215.766.2222

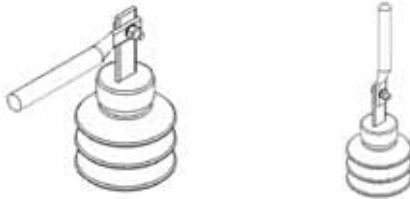
**FASTFAX**

# INSULBOOT® LIGHTNING ARRESTORS CONNECTION

**Standard Range** - Our standard range of Lightning Arrestors Connection exceeds 12 different configurations. Main Bus size and Riser size range from 1/4" by 2" to 3/4" by 8".

**Free Design Services** - Email or fax your Bus layout and we will design and supply drawings of the InsulBoot® to suit your needs, usually within 2-3 days. Email sales@insulboot.com or fax 215.766.2222.

**Custom InsulBoot®** - If it is not possible to meet your specifications from our range of standards, we will design and mold a custom InsulBoot® to suit your applications, usually within 7 days.



CONNECTOR TYPE  
CHECK ONE:

**1**

**2**

PROVIDE  
ARRESTOR CAP  
DIAMETER:

X

DIAMETER

HEIGHT

If PT Tap is required, please mark position and size in sketch area provided.

Bus Insulation

THICKNESS

PROVIDE CABLE  
SIZE:

DIAMETER

KV Rating

Use this area for additional notes, details or sketch of your own custom needs:

**INSULBOOT ONLY:**

INSULBOOT PART #

DELIVERY TIME

PRICE

NAME: \_\_\_\_\_ COMPANY: \_\_\_\_\_

FAX: \_\_\_\_\_ PHONE: \_\_\_\_\_ E-MAIL: \_\_\_\_\_

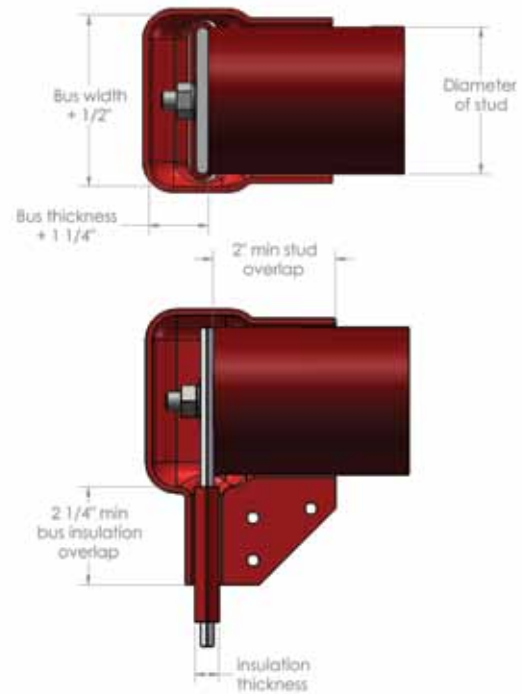
QUANTITY: \_\_\_\_\_ REQUESTED DELIVERY: \_\_\_\_\_

800.262.2111 • insulboot.com

# STUD TO RISER CONNECTION

All part numbers listed on this page are available within 48 hours without tooling or setup charges.

If you don't see your particular part listed please call 800.262.2111 or fill in your request and fax the FastFax form supplied.



TYPE FIG.	NUMBER OF BUSS	MAIN BUSS THICKNESS	MAIN BUSS WIDTH	DIAMETER OF STUD OVER INSULATION POINT	PDM P/N:
STD #1	1	3/8"	3"	2.00"	I-0645
STD #1	1	1/4"	3"	2.88"	I-0121
STD #1	1	1/2"	4"	1.50"	I-0123
STD #1	1	1/4"	4"	1.88"	I-0125
STD #1	1	1/4"	4"	3.62"	I-0159
STD #1	1	3/8"	3"	3.50"	I-0630
STD #1	1	3/4"	4"	1.69"	I-0649
STD #1	1	1/2"	4"	3.00"	I-0871
STD #1	1	1/2"	5"	2.50"	I-0985
STD #1	1	1/4"	3"	2.63"	I-1002
STD #2	2	1/4"	4"	1.75"	I-0575

PT tap available on all connections.

It's easy: just fill in and fax to 215.766.2222

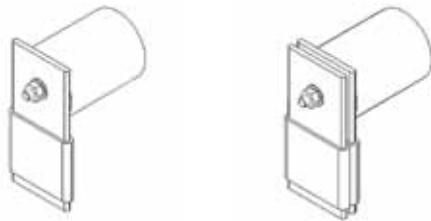
**FASTFAX**

# INSULBOOT® STUD TO RISER CONNECTION

**Standard Range** - Our standard range of Stud to Riser Connection exceeds 32 different configurations. Main Bus size and Riser size range from 1/4" by 2" to 3/4" by 8".

**Free Design Services** - Email or fax your Bus layout and we will design and supply drawings of the InsulBoot® to suit your needs, usually within 2-3 days. Email sales@insulboot.com or fax 215.766.2222.

**Custom InsulBoot®** - If it is not possible to meet your specifications from our range of standards, we will design and mold a custom InsulBoot® to suit your applications, usually within 7 days.



CONNECTOR TYPE  
CHECK ONE:

**1**

**2**

PROVIDE BUS SIZE:

X   
THICKNESS WIDTH

If PT Tap is required, please mark position and size in sketch area provided.

Bus Insulation

THICKNESS

PROVIDE STUD SIZE:

X   
DIAMETER LENGTH

KV Rating

Use this area for additional notes, details or sketch of your own custom needs:

**INSULBOOT ONLY:**

INSULBOOT PART #

DELIVERY TIME

PRICE

NAME: \_\_\_\_\_ COMPANY: \_\_\_\_\_

FAX: \_\_\_\_\_ PHONE: \_\_\_\_\_ E-MAIL: \_\_\_\_\_

QUANTITY: \_\_\_\_\_ REQUESTED DELIVERY: \_\_\_\_\_

800.262.2111 • insulboot.com

# VACUUM BREAKER BOOTS

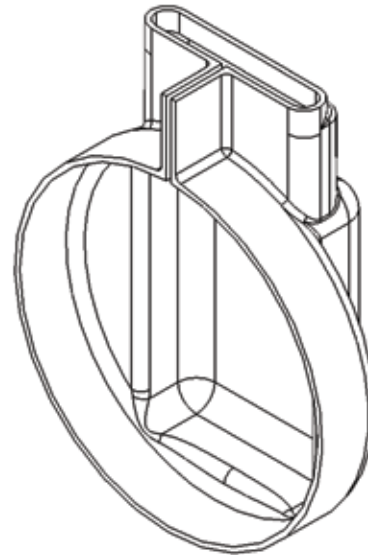
All part numbers listed on this page are available within 48 hours without tooling or setup charges.

If you don't see your particular part listed please call 800.262.2111 or fill in your request and fax the FastFax form supplied.

## VACUUM BREAKER BOOT #1



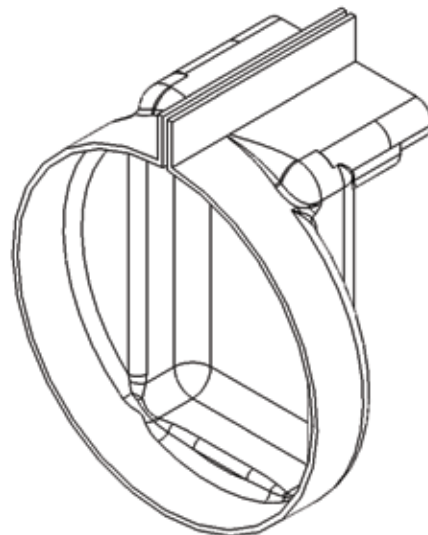
I-0058



## VACUUM BREAKER BOOT #2



I-0059

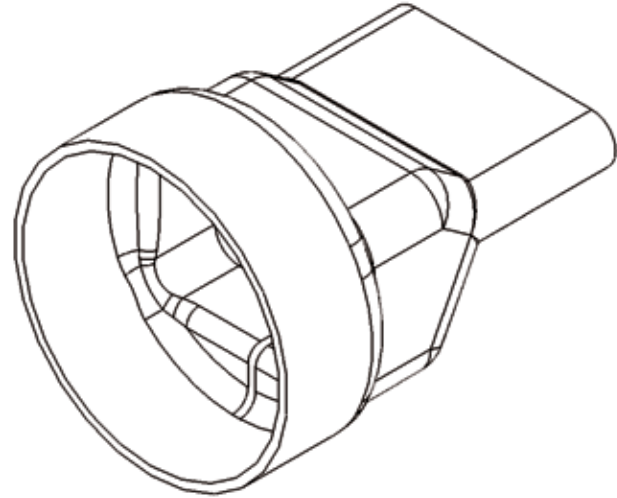


# T BREAKER BOOTS

All part numbers listed on this page are available within 48 hours without tooling or setup charges.

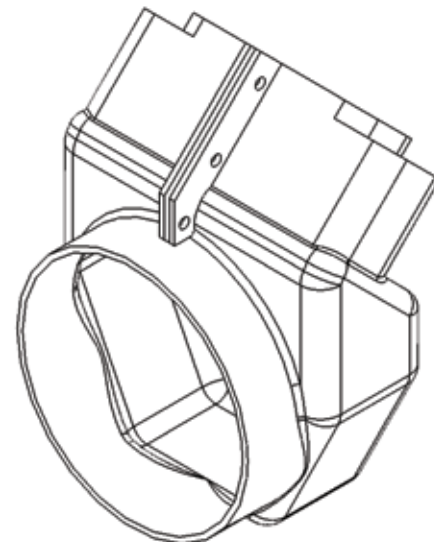
If you don't see your particular part listed please call 800.262.2111 or fill in your request and fax the FastFax form supplied.

## VACUUM BREAKER BOOT #3



I-0476

## VACUUM BREAKER BOOT #4



I-0315

To order or ask about our **FREE design services** call, email or fax using our FastFax form in the back of this catalog.

Toll-Free 800.262.2111 • sales@insulboot.com • Fax 215.766.2222 • insulboot.com

Copyright © 2011 PLASTIC DIP MOLDINGS, INC.

**INSULBOOT®**  
DON'T TAPE IT, INSULBOOT IT!™

# VACUUM BREAKER BOOTS

All part numbers listed on this page are available within 48 hours without tooling or setup charges.

If you don't see your particular part listed please call 800.262.2111 or fill in your request and fax the FastFax form supplied.

TYPE FIG.	NUMBER OF BUSS	MAIN BUSS THICKNESS	MAIN BUSS WIDTH	INSULATOR/ BOTTLE DIAMETER	INSULBOOT® P/N:
1	1	3/8"	4"	8"	I-0058
1	1	5/8"	4"	8"	
2	1	3/8"	4"	8"	I-0059
2	1	5/8"	4"	8"	
1	1	3/4"	6"	8"	I-0060
1	1	1"	6"	8"	
2	1	1/2"	6"	8"	I-0061
2	2	1/2"	6"	8"	
1	1	1/4"	4"	4"	I-0102
1	1	3/8"	4"	4"	
2	2	1/2"	4"	5.5"	I-0314
2	2	1/2"	6"	5.5"	
4	2	1/2"	4"	5.5"	I-0315
4	2	1/2"	6"	5.5"	
1	2	1/2"	6"	4"	I-0320
1	2	5/8"	6"	4"	
1	1	1/4"	6"	4"	I-0326
1	2	1/4"	4"	4"	I-0327
3	1	1/4"	6"	4"	I-0392
3	1	1/4"	4"	4"	I-0393
3	1	1/2"	6"	4"	I-0468
3	1	3/8"	3"	4"	I-0476
3	1	3/8"	4"	8"	I-0487
3	1	5/8"	6"	8"	
1	1	3/8"	6"	8"	I-0488
1	2	3/8"	6"	8"	
1	1	3/8"	4"	8"	I-0489
1	2	3/8"	4"	8"	
1	2	1/4"	4"	5.5"	I-0559
1	2	1/4"	6"	5.5"	
1	1	1/4"	4"	5.31"	I-0672
2	2	3/8"	6"	4"	I-0721
1	2	1/2"	6"	8"	I-0722
1	2	3/4"	6"	8"	
1	2	5/8"	4"	6"	I-0740

PT tap available on all connections.

It's easy: just fill in and fax to 215.766.2222

**FASTFAX**

# INSULBOOT® VACUUM BREAKER BOOT

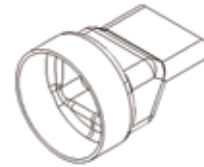
**Standard Range** - Our standard range of Vacuum Breaker Boot exceeds 72 different configurations. Main Bus size and Riser size range from 1/4" by 2" to 3/4" by 8".

**Free Design Services** - Email or fax your Bus layout and we will design and supply drawings of the InsulBoot® to suit your needs, usually within 2-3 days. Email sales@insulboot.com or fax 215.766.2222.

**Custom InsulBoot®** - If it is not possible to meet your specifications from our range of standards, we will design and mold a custom InsulBoot® to suit your applications, usually within 7 days.

**SWITCHGEAR OEM**

- SIEMENS
- GE
- EATON/  
CUTLER HAMMER
- ABB
- SCHNEIDER
- OTHER



CONNECTOR TYPE  
CHECK ONE:

**1**

**2**

**3**

**4**

PROVIDE BUS SIZE:

X

THICKNESS

WIDTH

If PT Tap is required, please mark position and size in sketch area provided.

Bus Insulation

THICKNESS

PROVIDE SPACER  
SIZE:

X

THICKNESS

WIDTH

KV Rating

Use this area for additional notes, details or sketch of your own custom needs:

**INSULBOOT ONLY:**

INSULBOOT PART #

DELIVERY TIME

PRICE

NAME: \_\_\_\_\_ COMPANY: \_\_\_\_\_

FAX: \_\_\_\_\_ PHONE: \_\_\_\_\_ E-MAIL: \_\_\_\_\_

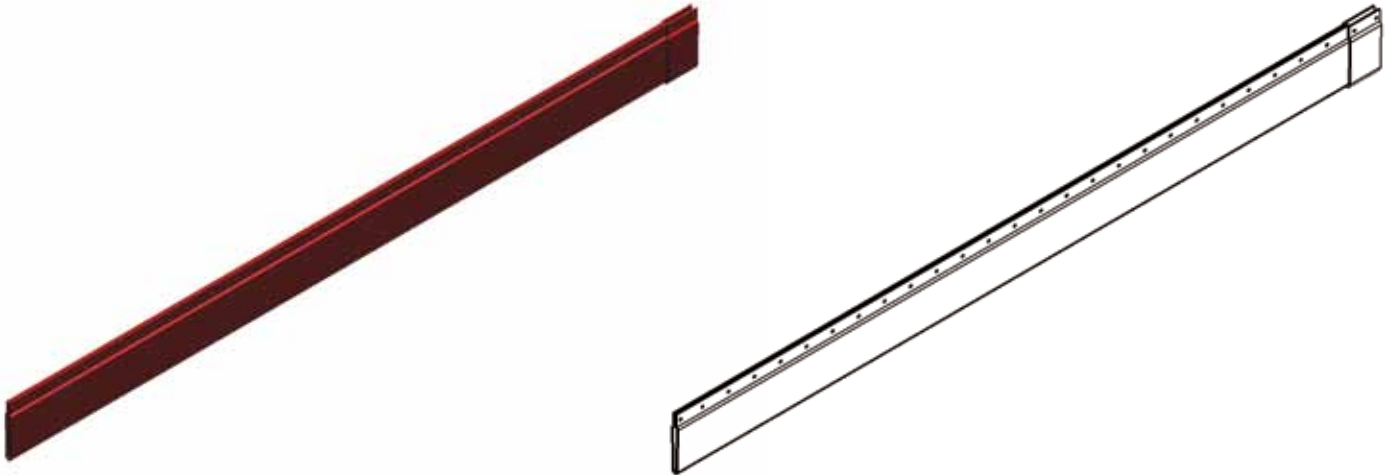
QUANTITY: \_\_\_\_\_ REQUESTED DELIVERY: \_\_\_\_\_

800.262.2111 • insulboot.com

# STANDARD BUS BAR SLEEVE

All part numbers listed on this page are available within 48 hours without tooling or setup charges.

If you don't see your particular part listed please call 800.262.2111 or fill in your request and fax the FastFax form supplied.



STANDARD P/N	LENGTH OF SLEEVE	WIDTH OF OVERLAP	BUS SIZE	BUS OPENINGS	PDM P/N:
SLV-001	36"	3"	1/4" x 3"	3/8" x 3-1/8"	0623
SLV-002	36"	3"	3/8" x 3"	1/2" x 3-1/8"	0624
SLV-003	36"	3"	1/4" x 4"	3/8" x 4-1/8"	0625
SLV-004	36"	3"	3/8" x 4"	1/2" x 4-1/8"	0626
SLV-005	36"	3"	1/2" x 4"	5/8" x 4-1/8"	0627
SLV-006	36"	3"	1/4" x 6"	3/8" x 6-1/8"	0628
SLV-007	36"	3"	3/8" x 6"	1/2" x 6-1/8"	0629
SLV-008	36"	3"	1/2" x 6"	5/8" x 6-1/8"	0630
SLV-009	36"	3"	1/2" x 3"	5/8" x 3-1/8"	0631
SLV-100	36"	3"	1/4" x 2"	3/8" x 2-1/8"	0632
SLV-200	36"	3"	1/4" x 5"	3/8" x 5-1/8"	0633
SLV-201	36"	3"	1/2" x 5"	5/8" x 5-1/8"	0634
SLV-202	36"	3"	3/8" x 5"	1/2" x 5-1/8"	0635

All bus sleeves allow for 3" overlap of next sleeve in succession.

To order or ask about our **FREE design services** call, email or fax using our FastFax form in the back of this catalog.

Toll-Free 800.262.2111 • sales@insulboot.com • Fax 215.766.2222 • insulboot.com

Copyright © 2011 PLASTIC DIP MOLDINGS, INC.



It's easy: just fill in and fax to 215.766.2222

**FASTFAX**

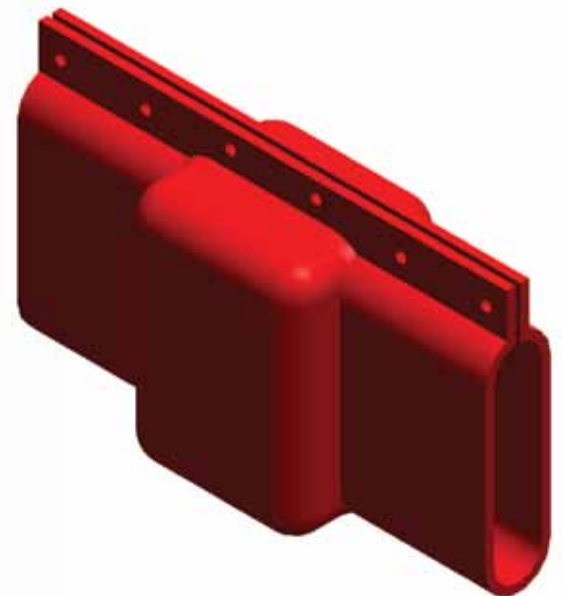
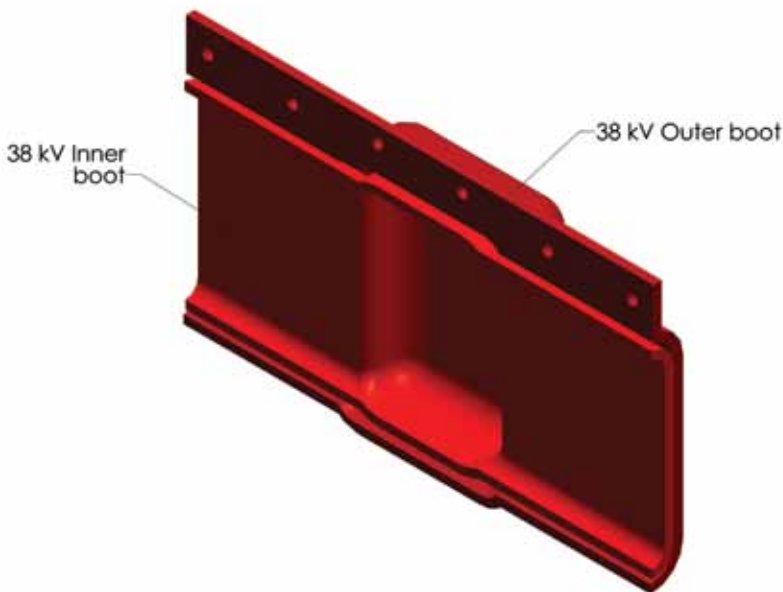
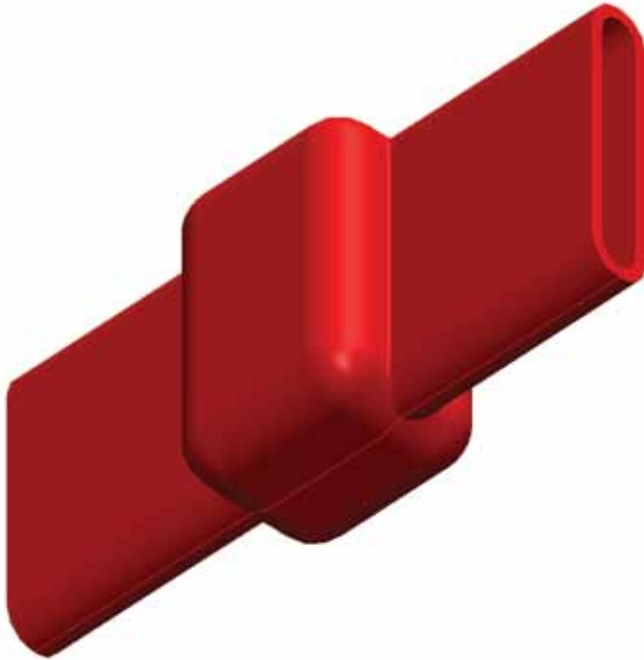
## REQUEST FOR QUOTATION: Special Products

Use our FREE design service. Use the space below to make a sketch or attach a photograph showing the layout of your conductors and other electrical devices.

<b>NAME:</b> _____	<b>COMPANY:</b> _____	
<b>FAX:</b> _____	<b>PHONE:</b> _____	<b>E-MAIL:</b> _____
<b>REQUESTED DELIVERY:</b> _____		

**800.262.2111 • [insulboot.com](http://insulboot.com)**

# TYPICAL 38KV APPLICATION



# 38KV BOOTS

All part numbers listed on this page are available within 48 hours without tooling or setup charges.

If you don't see your particular part listed please call 800.262.2111 or fill in your request and fax the FastFax form supplied.

BOOT TYPE	NUMBER OF BUSS	MAIN BUSS THICKNESS	MAIN BUSS WIDTH	NUMBER OF BUSS	RISER THICKNESS	RISER WIDTH	BOTTLE DIA.	PDM P/N
THRU	1	1/2"	5" or 6"					I-1043
THRU	2	3/8"	4"					I-1044
THRU	1	3/8"	4"					I-1045
THRU W/ RISER	1	1/2"	6"	2	3/8"	4		I-1046
THRU W/ RISER	1	1/2"	6"	2	3/8"	4		I-1047
THRU W/ RISER	1	1/2"	5" or 6"	1	1/4"	4		I-1048
THRU W/ RISER	1	1/2"	6"	1	3/8"	4		I-1049
THRU W/ RISER 90°	2	1/4"	4"	2	1/2"	4		I-1050
THRU W/ RISER 90° & PT TAP	1	1"	6"	1	1"	5		I-1051
TEE	1	1/2"	6"	2	1/2"	4		I-1052
TEE	1	3/8"	4" or 6"	1	3/8"	5		I-1053
RHD	2	3/8"	4"	2	3/8"	4		I-1054
RHD	1	1/2"	6"	1	1/2"	3		I-1055
RHD	1	3/4"	6"	1	1/2"	3		I-1056
RHD/LHD	1	1/2"	6"	2	1/2"	4		I-1057
RHD/LHD	1	3/4"	6"	2	3/8"	4		I-1058
RHD/LHD W/90° RISER	1	3/8"	6"	2	1/4"	4		I-1059
RHD ELBOW	2	3/8"	4"	2	3/8"	4		I-1060
LHD ELBOW	2	3/8"	4"	2	3/8"	4		I-1061
RHD ELBOW	1	3/8"	4" or 6"	2	1/4" or 3/8"	4		I-1062
LHD ELBOW	1	3/8"	6"	1	1/4"	3		I-1063
RHD ELBOW	1	1/4"	4" or 5"	1	1/4"	4 or 6		I-1064
VACUUM BREAKER	1	1/4"	4"				Ø 9.38	I-1065
VACUUM BREAKER	1	1/4"	4"				Ø 9.38	I-1066
VACUUM BREAKER	2	3/8"	4"				Ø 9.38	I-1067
VACUUM BREAKER	2	3/8"	4"				Ø 9.38	I-1068

PT tap available on all connections.

To order or ask about our **FREE design services** call, email or fax using our FastFax form in the back of this catalog.

Toll-Free 800.262.2111 • sales@insulboot.com • Fax 215.766.2222 • insulboot.com

Copyright © 2011 PLASTIC DIP MOLDINGS, INC.

**INSULBOOT®**  
DON'T TAPE IT, INSULBOOT IT!™

# SPECIAL PRODUCTS

All part numbers listed on this page are available within 48 hours without tooling or setup charges.

If you don't see your particular part listed please call 800.262.2111 or fill in your request and fax the FastFax form supplied.

## GROUND STUD COVER



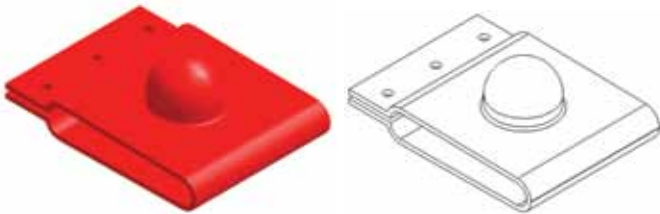
I-0017

## GROUND STUD COVER



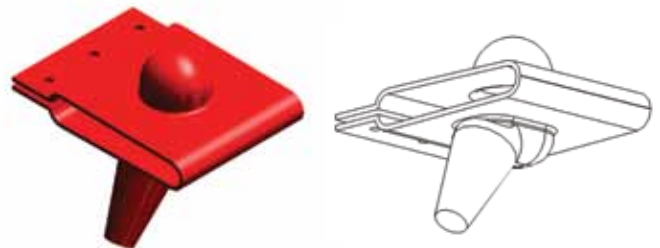
I-0761

## GROUND BUS SLEEVE



I-0018

## GROUND BUS SLEEVE



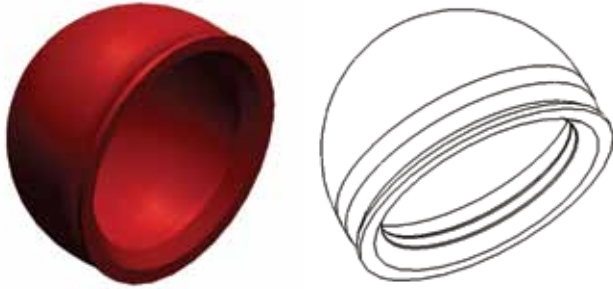
I-0472

# SPECIAL PRODUCTS

All part numbers listed on this page are available within 48 hours without tooling or setup charges.

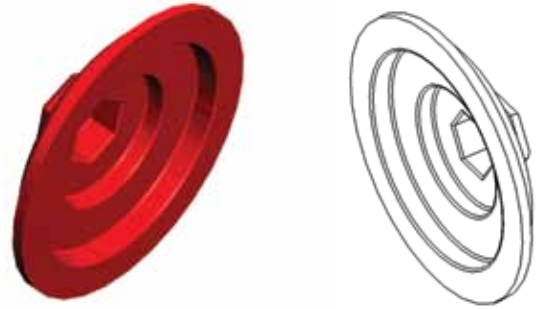
If you don't see your particular part listed please call 800.262.2111 or fill in your request and fax the FastFax form supplied.

## BOLT CAP



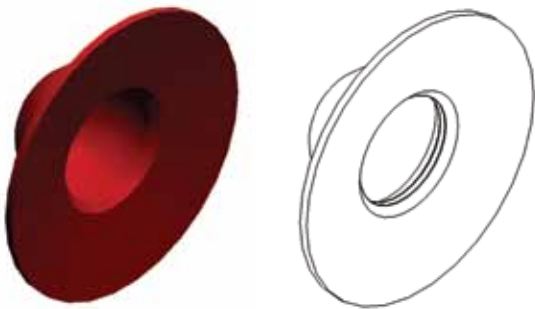
I-0072

## BOLT CAP



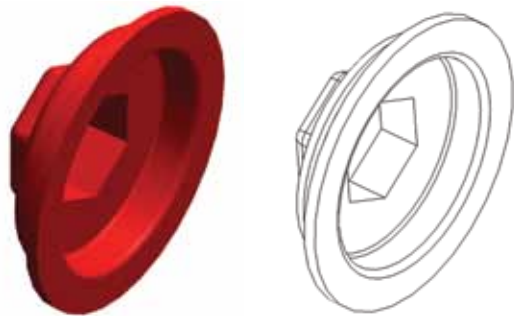
I-0345

## BOLT CAP



I-0623

## BOLT CAP



I-0867

To order or ask about our **FREE design services** call, email or fax using our FastFax form in the back of this catalog.

Toll-Free 800.262.2111 • sales@insulboot.com • Fax 215.766.2222 • insulboot.com

Copyright © 2011 PLASTIC DIP MOLDINGS, INC.

**INSULBOOT**<sup>®</sup>  
DON'T TAPE IT, INSULBOOT IT!<sup>™</sup>

# SPECIAL PRODUCTS

All part numbers listed on this page are available within 48 hours without tooling or setup charges.

If you don't see your particular part listed please call 800.262.2111 or fill in your request and fax the FastFax form supplied.

TYPE FIG.	DESCRIPTION	PDM P/N:
GROUND STUD COVER	.75 DIA. X 4" LONG	I-0017
GROUND STUD COVER	1" BALL – 2.25" COVERAGE	I-0761
GROUND BUS SLEEVE	3/8" x 4" x 4" LONG	I-0018
GROUND BUS SLEEVE	3/8" x 4" BUS – PT TAP	I-0472
BOLT CAP	1/4-20 DOME CAP, SNAPS ON DOUBLE WASHER	I-0072
BOLT CAP	1" BOLT (3/4" HEAD) HEX SHAPE	I-0345
BOLT CAP	DOME CAP, SNAPS ON DOUBLE WASHER W/3.5" FLANGE	I-0623
BOLT CAP	2.75" O.D. – 2" DIA. WASHER - .94" (5/8") HEX HEAD BOLT	I-0867

To order or ask about our **FREE design services** call, email or fax using our FastFax form in the back of this catalog.

Toll-Free 800.262.2111 • sales@insulboot.com • Fax 215.766.2222 • insulboot.com

Copyright © 2011 PLASTIC DIP MOLDINGS, INC.

It's easy: just fill in and fax to 215.766.2222

**FASTFAX**

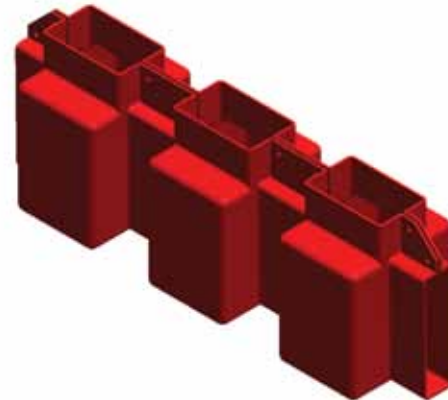
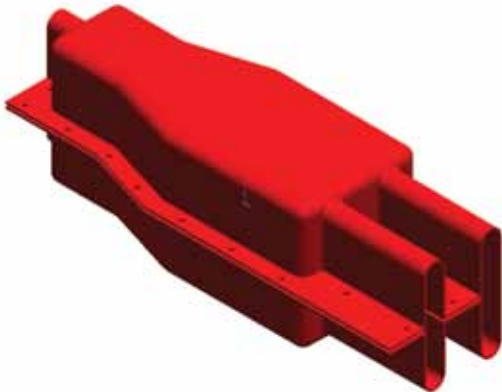
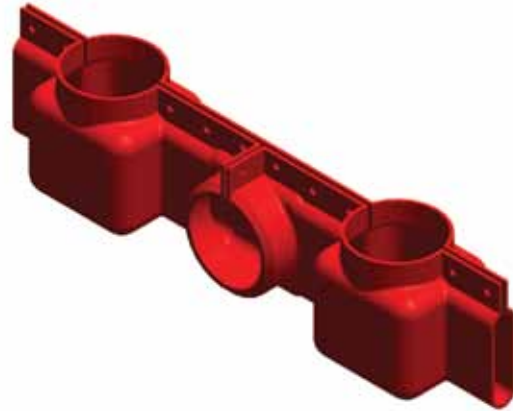
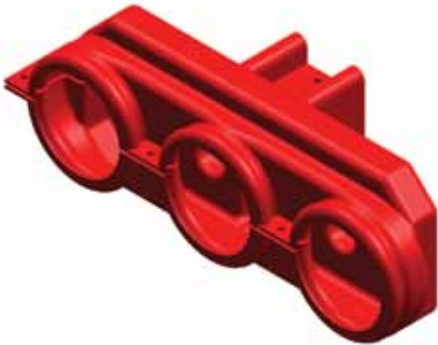
## REQUEST FOR QUOTATION: Special Products

Use our FREE design service. Use the space below to make a sketch or attach a photograph showing the layout of your conductors and other electrical devices.

<b>NAME:</b> _____	<b>COMPANY:</b> _____	
<b>FAX:</b> _____	<b>PHONE:</b> _____	<b>E-MAIL:</b> _____
<b>REQUESTED DELIVERY:</b> _____		

**800.262.2111 • [insulboot.com](http://insulboot.com)**

# ARBOSOL® PDM 11375 PVC





# ARBOSOL® PDM 11375 PVC

Arbosol® PDM 11375 PVC

Arbosol® PDM 11375 PVC is a polyvinyl chloride material which produces a seamless, heavy duty, resilient molded product. Developed primarily for use in medium voltage electrical applications and used throughout the electrical industry. This material is a proprietary formulation, prepared under controlled conditions by Plastic Dip Moldings, Inc.

## SUMMARY OF PROPERTIES

PROPERTY	TEST OR SPECIFICATION STANDARD	VALUE
Durometer Hardness	ASTM D2240	70 ±5 Shore A
Tensile Strength	ASTM D-412	2200 PSI
Tear Strength	ASTM D-624	310 PLI
Elongation	ASTM D-412	350%
Dielectric Strength	ASTM D149 @ 30 Mil Film @ 70 Mil Film IEEE C37.20.2	700 V/mil 500 V/mil
Operating Temperature	IEEE C37.20.2 Table 2	Class 105°C
Low Temperature Flex	Internal	-20°F (-29°C)
Flammability	UL94 V-O IEEE C37.20.2-1999, 6.2.8	Self Extinguishing
Color		Red/Black/Gray

PDM Arbosol PVC is recommended for all indoor and fully enclosed applications, where UV exposure is not an issue.

PDM Arbosol PVC with UV inhibitors is recommended when boots will be exposed to UV radiation.  
 "PDM 11475 UV Gray" is the designation for this material with UV stabilizers added.

11/09 REV. 5

This information is based on tests believed to be reliable and is provided for information only. Since conditions of use are beyond our control, we cannot, and do not assume any liability in connection with the use of the data or suggestions. Nothing contained herein shall be construed as a recommendation to use this product in conflict with any existing patents.

To order or ask about our **FREE design services** call, email or fax using our FastFax form in the back of this catalog.

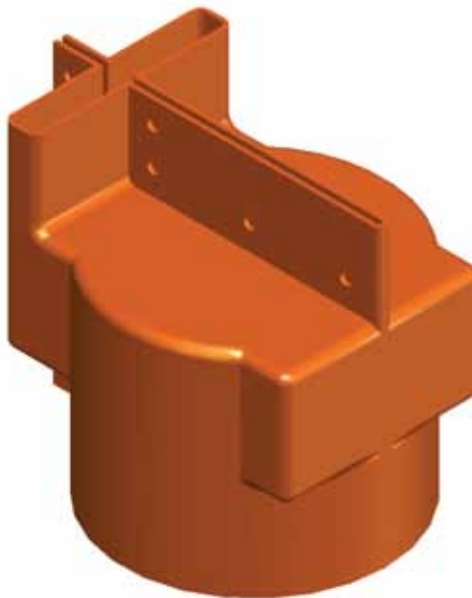
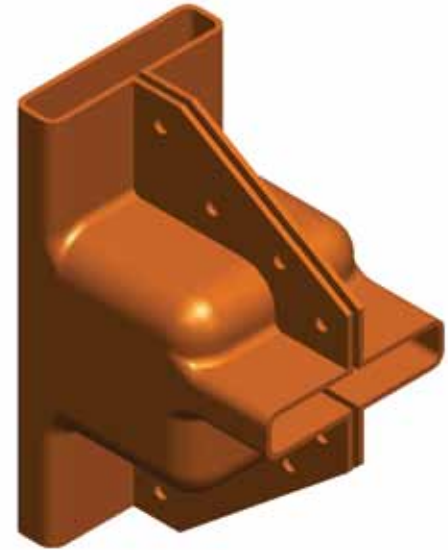
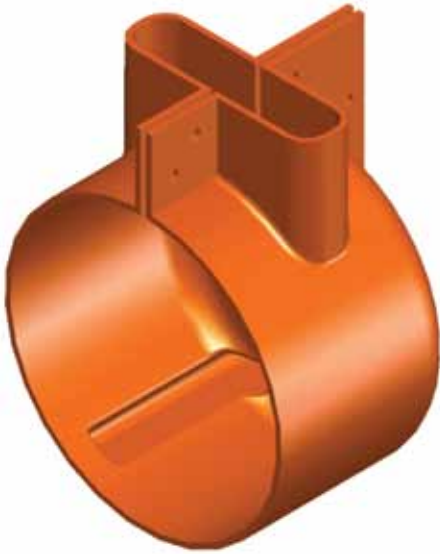
Toll-Free 800.262.2111 • sales@insulboot.com • Fax 215.766.2222 • insulboot.com

Copyright © 2011 PLASTIC DIP MOLDINGS, INC.

**INSULBOOT®**  
 DON'T TAPE IT, INSULBOOT IT!™



# INSULBOOT® HS



**INSULBOOT® HS**

InsulBoot® HS

Insulboot® HS, Heat Shrink is a Polyolefin radiations crosslink heat shrink insulation material, which produces a heavy duty, resilient molded product and Bus bar insulation. Developed primarily for use in low, medium and high voltage electrical applications and used throughout the electrical industry.

**SUMMARY OF PROPERTIES**

PROPERTY	TEST OR SPECIFICATION STANDARD	VALUE
Tensile Strength after aging	ASTM D2671	>12 Mpa
Tensile Strength	ASTM D2671	≥100 Mpa
Breakdown elongation	ASTM D2671	≥400%
Breakdown elongation after aging (136°C for 168 hrs.)	ASTM D2671	≥400%
Dielectric Strength	ASTM D2671	>25 kV/mm
Heat Shock (200°C for 4 hrs.)	ASTM 2671	No drop, no flow
Low Temperature Flex (-40°C for 45 hrs.)	ASTM 2671	No cracking
Water Absorption	ASTM D570A	≤0.05%
Flame retardant	ASTM D2863	Oxygen Index ≥27
Copper Corrosion (158°C for 168 hrs.)	ASTM D2671	Pass
Long term aging/elongation at break	IEC 60684-2	>175%
Resistance to selected Fluids: Tensile strength/elongation at break	IEC 60684-2	8 Mpa >250%
Operating Temperature		-40~105°C

This information is based on tests believed to be reliable and is provided for information only. Since conditions of use are beyond our control, we cannot, and do not assume any liability in connection with the use of the data or suggestions. Nothing contained herein shall be construed as a recommendation to use this product in conflict with any existing patents.

To order or ask about our **FREE design services** call, email or fax using our FastFax form in the back of this catalog.

Toll-Free 800.262.2111 • sales@insulboot.com • Fax 215.766.2222 • insulboot.com

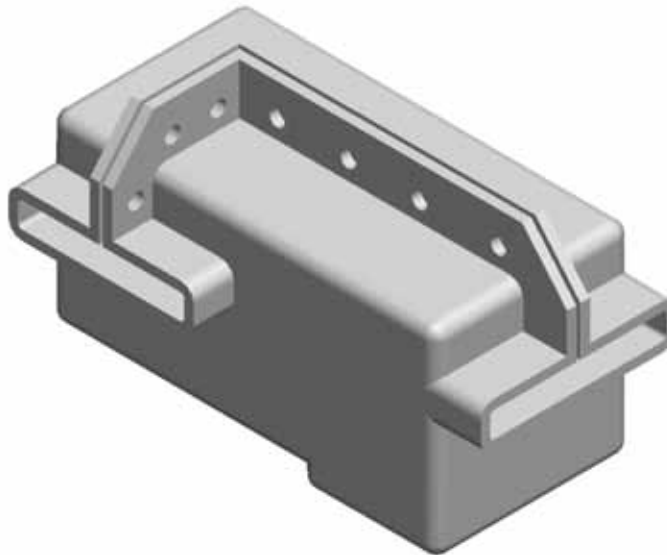
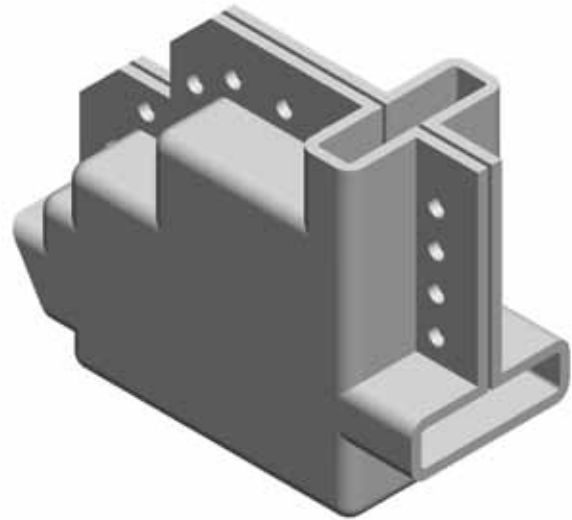
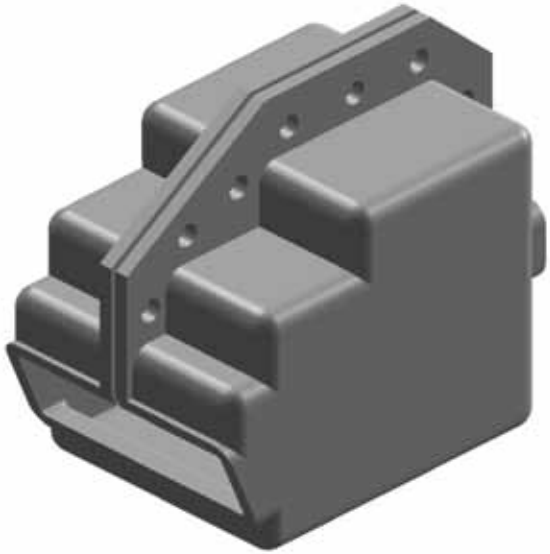
Copyright © 2011 PLASTIC DIP MOLDINGS, INC.

**INSULBOOT®**  
DON'T TAPE IT, INSULBOOT IT!™

57

# ARBOFLEX™ W320 LT/W610-630

**HALOGEN FREE**  
TEMPERATURE CLASSIFICATION UP TO CLASS 180



# ARBOFLEX™ W320 LT/WX630

Provisional Information

Arboflex™ W320 LT & WX630 has been specifically developed to produce moldings that are halogen free and provide excellent electrical insulation over a wide range of temperatures with a 50-year life expectancy. (A silicone based product).

	SUMMARY OF PROPERTIES	W320LT	WX630
Tensile Strength	ASTM D412	>450 - 900 psi	>725 - 1450 psi
Tear Strength	ASTM D624	>55 - 110 ppi	>110 ppi minimum
Elongation	ASTM D412	190 - 300%	350 - 700%
Durometer	ASTM D2240	65 - 76 shore A	32 - 40 shore A
Water Immersion		no change	no change
Temp. Index		Continuous -40°C to 200°C	Continuous -40°C to 200°C
Arc Resistance	ASTM D495	>240 secs. minimum	>240 secs. minimum
Tracking Resistance	ASTM 2303	>300 mins	>300 mins
Dielectric Withstand	ASTM D149	23 KV/MM **	23 KV/MM **
Insulation Resistance	ASTM D257	>10 MΩ *	>10 MΩ *
Inclined Plane Tracking & Erosion Resistance	ASTM D2303 and IEC60587	6.0 hrs @ 4.5 kV, without significant erosion	6.0 hrs @ 4.5 kV, without significant erosion
Flame Resistance	UL-94	V-O	V-O

\* This value is based on a volume resistivity of  $>1.00E + 14 \Omega\text{-cm}$

\*\* These values are the dielectric strength as tested by ASTM D149 (400 v/mil minimum)

Please note that the molding process for this material is subject to a provisional patent application.

Disclaimer: This data is based on tests believed to be reliable and is given for information only. Since conditions of use are beyond our control, we cannot and do not assume any liability in connection with the use of the data or suggestions

To order or ask about our **FREE design services** call, email or fax using our FastFax form in the back of this catalog.

Toll-Free 800.262.2111 • sales@insulboot.com • Fax 215.766.2222 • insulboot.com

Copyright © 2011 PLASTIC DIP MOLDINGS, INC.

**INSULBOOT®**  
DON'T TAPE IT, INSULBOOT IT!™

59



# INSULBOOT®... Great SYSTEMS AT A LOW COST.

**W**hether you need a standard configuration or a customized design, our many years of experience, high quality and technical expertise makes us the industry's number one choice.

- Thousands of standard boots available
- High dielectric strength
- Easily installed and removed
- Customized to fit your connections
- Wide temperature operating range
- Complete with fasteners
- Durable
- Inexpensive
- Choice of colors

We invite you to take advantage of our **FREE design services** for your bus boots, switchgear and insulation covers.

**InsulBoot®** also offers heat shrink tubing, molded boots and tape with a new **HALOGEN FREE** polyolefin formula. Call or visit our website to learn more.

Today, tape is out...**InsulBoot®** is in.



Part number I-0216  
CAN BE FOUND ON PAGE 29

Part number I-0460  
PROPRIETARY DESIGN

To order or ask about our **FREE** design services call, email or fax using our FastFax forms throughout this catalog.

Toll-Free 800.262.2111 • [sales@insulboot.com](mailto:sales@insulboot.com) • Fax 215.766.2222 • [insulboot.com](http://insulboot.com)



## outages are for the birds.

Wildlife Outage Protectors are the long term solution to aid in the prevention of power outages caused by wildlife electrocutions.

- Reduces and/or eliminates PUC fines and penalties
- UV protected for extended life
- Very cost effective
- Protects endangered wildlife from extinction
- Price quotes usually in 24 hours or less
- Free design services

Wildlife Outage Protectors—great products for the great outdoors.

Visit our website at [wildlifeoutageprotectors.com](http://wildlifeoutageprotectors.com) or contact the Wildlife Outage Pros for more information.

*All part numbers listed in this catalog are available for prompt delivery without any tooling or setup charge.*

*If you don't see your particular part listed please call 800.262.2111 or fill in your request and fax the FastFax form supplied.*

**INSULBOOT**<sup>®</sup>  
DON'T TAPE IT, INSULBOOT IT!<sup>™</sup> **WLOP**

37 Appletree Lane P.O. Box 450 • Plumsteadville, PA 18949  
Phone 215.766.2020 • Toll-Free 800.262.2111 • Fax 215.766.2222  
[wildlifeoutageprotectors.com](http://wildlifeoutageprotectors.com)