



Control Switch Relay Provides Manual and Supervisory Control of Power Circuit Breakers

Electroswitch Control Switch Relays (CSR) combine a control switch with a remote-controlled solenoid, allowing one device to control power circuit breakers both manually and under remote supervisory control.

This eliminates the need to equip manual substations with redundant relays to achieve supervisory control. The CSR looks, feels, and acts identical to a control switch while ensuring target agreement, regardless of manual or remote operation.

Due to a high degree of flexibility in its construction, the CSR can be easily configured with a wide variety of Trip/Close contacts, Normal after Trip/Normal after Close contacts, and virtually any combination of these.



Features

- Local or Remote Operation
- Optional Control Circuits
- Visible LED and Trip/Close Target
- Available with SCADA disable—
Turn to Latch or Push to Disable
- Normal After Trip/Normal After Close contacts

Safety and Cost-Saving Benefits

- Fits Into Existing Breaker Control Switch Mounts
- Eliminates Separate Devices
- Breaker Status Lamps
- Remote Operation to Keep Personnel Outside the "Arc Flash Zone"
- SCADA Disable Provides Local Control by Disabling Remote Operation

Additional Remote Control Devices from Electroswitch

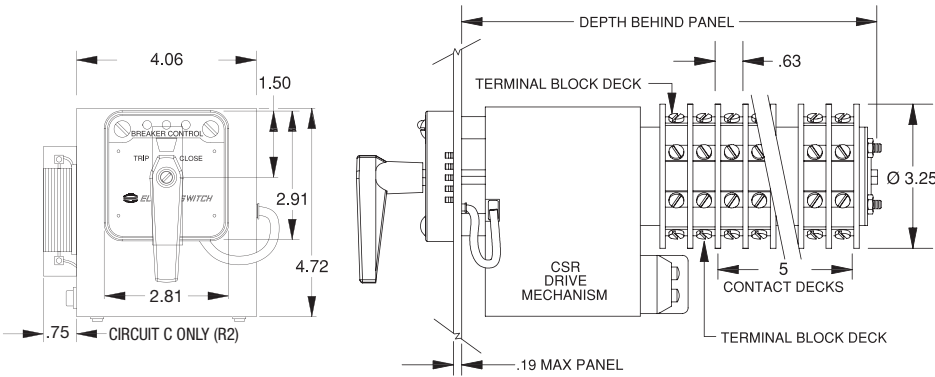


**Series 24
SCSR Serial
Control Switch
Relay**

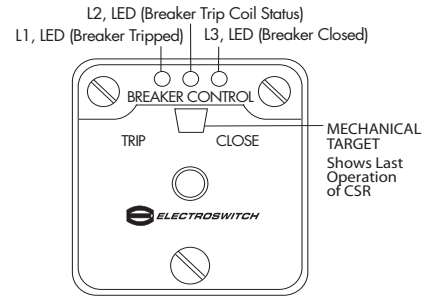


**Series 24
TD-CSR Time Delay
Control Switch
Relay**





Nameplate – Typical Configuration



Specifications

Electrical

Continuous Ratings: 30A–600V
 UL Interrupt Ratings: 20A–120VAC, 15A–240VAC, 6A–600VAC, 3A–125VDC, 1A–250VDC
 Overload Current (50 Ops): 95A–120VAC, 65A–240VAC, 35A–600VAC
 Making Ability for CB Coils: 95A–125VDC
 Contact Resistance: .01 Ohms Maximum

Electronic

Baud Rate: 9600 Std. 1200, 4800, 19200 Selectable
 Transient Protection: Meets IEEE C37.90.1 and IEC 61000-4-4
 Signal Hold Time: 1 Sec. Standard, 1-3 Seconds Serially Selectable

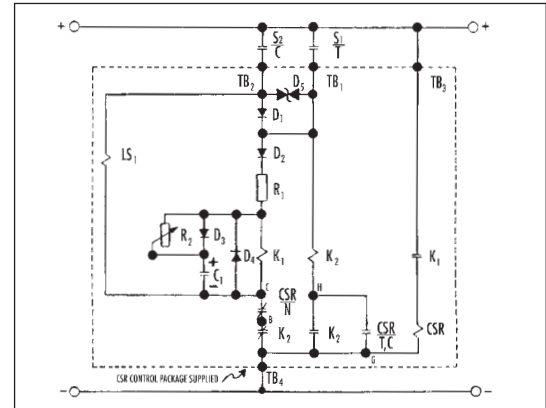
Mechanical

Sections: 1 to 6
 Poles: 1 to 12
 Contacts: Break-Before-Make (Non-Shorting); Make-Before-Break (Shorting) Standard and Slip Contacts Available
 Action: 45° Spring Return to Normal
 Mounting: Panel Mount, 3 Hole Mounting,
 Panel Thickness: 3/16" Max. Standard – Others Available
 Rotor Contacts: Silver Overlay Phosphor-bronze, Double-Wiping
 Stationary Contacts: Silver Inlay Plated, with Integral Screw Type Terminals
 Construction: Contacts Enclosed in Molded Phenolic Insulators



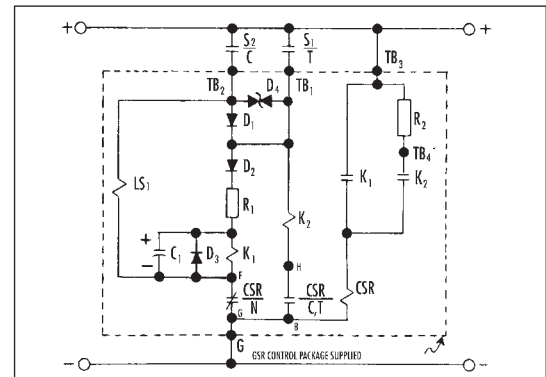
Control Circuit Options

Circuit B



Control Circuit with 1 ± 1/2 Second Factory Set Time Delay and K2 Seal-In Relay for Anti-Pumping

Circuit C



Control Circuit with Hold-In Resistor — the CSR Remains in the Indexed Position As Long As S1 or S2 Remains Closed up to 15 Seconds Maximum.

Consult factory for additional information.

Operational and Burden Voltage Data

Coil	Rated Voltage	Voltage Range	Coil Circuit DC Ohms @ 25°C (+/- 10%)	Burden (Amps) @ Rated Voltage (+/- 10%)
A	24VDC	21-28VDC	1.2	20.5
C	48VDC	41-56VDC	4.9	9.9
D	125VDC	106-140VDC	19	6.6
F	250VDC	212-280VDC	81	3.2

Required Ordering Information

- Handle: Pistol Grip Std.
- Voltage: 24, 48, 125, or 250VDC; AC Model Available, Contact Factory
- Engraving
- Turn to Latch Option
- Single or Dual Trip Coil Monitoring
- Contact Configuration
- L1, L2, L3 (Replaceable LED Colors – Amber, Red, Green, Blue, White)