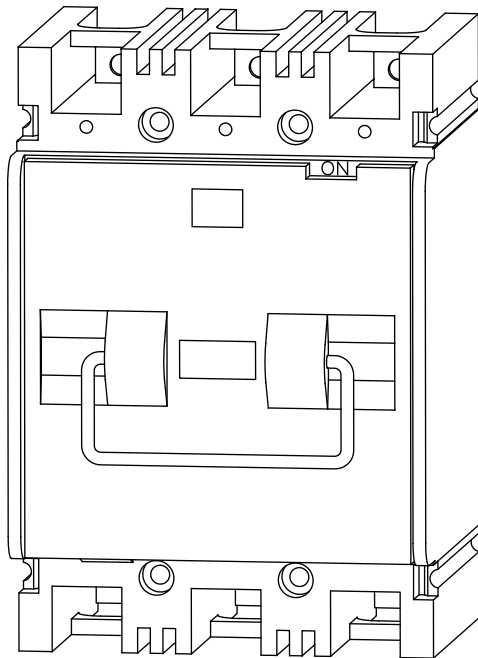
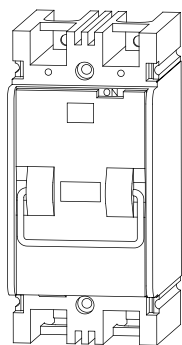


boltswitch

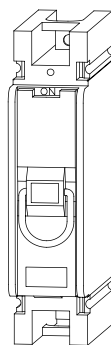
30-60-100 AMP PULLOUT SWITCH



3-POLE



2-POLE



1-POLE

CLASS T FUSIBLE				
VOLTAGE	AMPACITY	CATALOG NUMBERS		
		1-POLE	2-POLE*	3-POLE
240 AC/125 DC	30	PT121	PT221	PT321
	60	PT122	PT222	PT322
	100	PT123	PT223	PT323
600 AC	30	PT161	PT261	PT361
	60	PT162	PT262	PT362
	100	PT163	PT263	PT363

CLASS R FUSIBLE				
VOLTAGE	AMPACITY	CATALOG NUMBERS		
		1-POLE	2-POLE*	3-POLE
240 AC	30	PR121	PR221	PR321
	60	PR122	PR222	PR322

CLASS H FUSIBLE				
VOLTAGE	AMPACITY	CATALOG NUMBERS		
		1-POLE	2-POLE*	3-POLE
240 AC/250 DC	30	PH121	PH221	PH321
	60	PH122	PH222	PH322

CLASS CC FUSIBLE				
VOLTAGE	AMPACITY	CATALOG NUMBERS		
		1-POLE	2-POLE*	3-POLE
600 AC	30	PCC161	PCC261	PCC361

CLASS CD FUSIBLE				
VOLTAGE	AMPACITY	CATALOG NUMBERS		
		1-POLE	2-POLE*	3-POLE
600 AC	60	PCD162	PCD262	PCD362

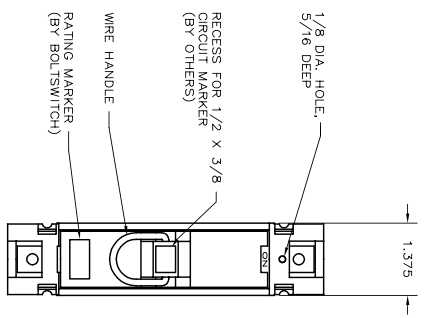
CLASS J FUSIBLE				
VOLTAGE	AMPACITY	CATALOG NUMBERS		
		1-POLE	2-POLE*	3-POLE
600 AC	30	PJ161	PJ261	PJ361

* 2-pole units are also available in 3-pole construction with center pole omitted. Catalog numbers are the same as 3-pole with suffix “-2P”. (Example: PT323-2P)

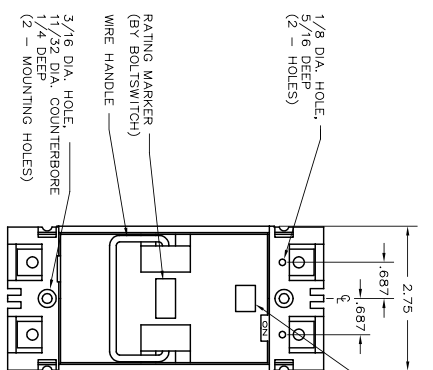
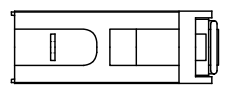
APPLICATION: These devices are load-break switches designed primarily for installation in panelboards, control panels, and meter banks.

TESTS: Tested in accordance with UL 1429, and listed as “Pullout Switches” under file No. E131005. UL and C-UL listed for use on circuits having available fault currents of 200,000 RMS symmetrical amperes (10,000 RMS symmetrical amperes with Class H). DC rated, Class T fusible switches are UL and C-UL Listed for use on circuits capable of delivering 50,000 amperes at 125 VDC.

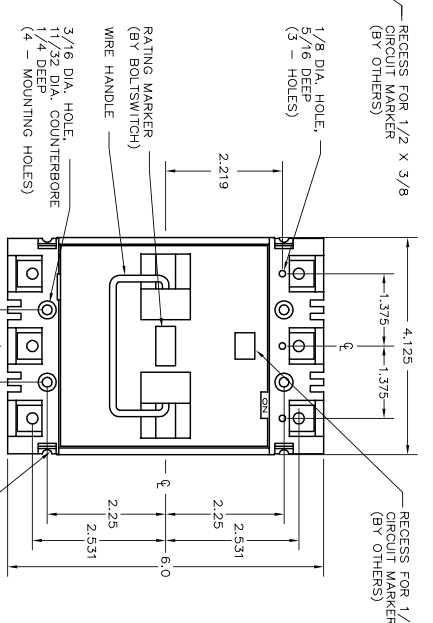
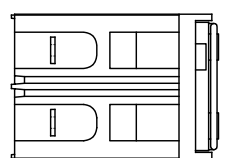
FEATURES: Very compact design. Switches are interchangeable with Westinghouse EB, EHB, EHD, FB & FDB circuit breakers.



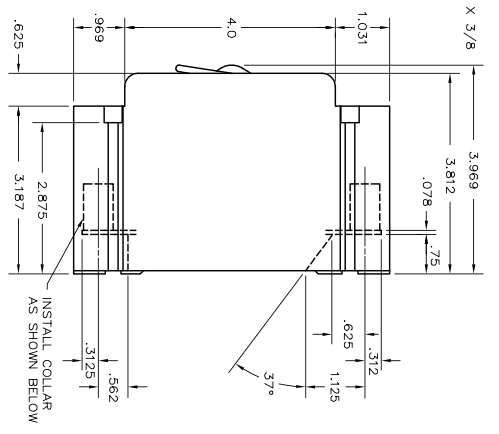
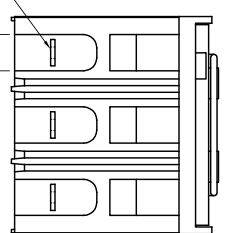
1 - POLE



2 - POLE



3 - POLE



SIDE VIEW
(TYPICAL FOR ALL UNITS)

CLASS T FUSIBLE

VOLTAGE	CATALOG NUMBERS		
	1 - POLE	2 - POLE*	3 - POLE
240AC/125DC	PT121	PT221	PT321
	PT122	PT222	PT322
	PT123	PT223	PT323
277 AC (1-P) 480Y/277 AC (2-P & 3-P)	PT131	PT231	PT331
	PT132	PT232	PT332
	PT133	PT233	PT333
600 AC	PT161	PT261	PT361
	PT162	PT262	PT362
	PT163	PT263	PT363

CLASS R FUSIBLE

VOLTAGE	CATALOG NUMBERS		
	1 - POLE	2 - POLE*	3 - POLE
240 AC	PR121	PR221	PR321
	PR122	PR222	PR322
	PR122	PR222	PR322

CLASS H FUSIBLE

VOLTAGE	CATALOG NUMBERS		
	1 - POLE	2 - POLE*	3 - POLE
240AC/250DC	PH121	PH221	PH321
	PH122	PH222	PH322
	PH122	PH222	PH322

CLASS CC FUSIBLE

VOLTAGE	CATALOG NUMBERS		
	1 - POLE	2 - POLE*	3 - POLE
600 AC	PCC161	PCC261	PCC361

CLASS CD FUSIBLE

VOLTAGE	CATALOG NUMBERS		
	1 - POLE	2 - POLE*	3 - POLE
600 AC	PCD162	PCD262	PCD362

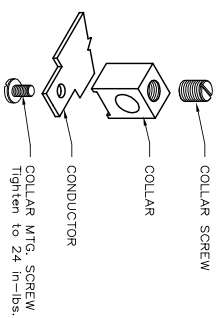
CLASS J FUSIBLE

VOLTAGE	CATALOG NUMBERS		
	1 - POLE	2 - POLE*	3 - POLE
600 AC	PJ161	PJ261	PJ361

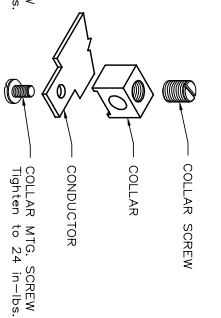
* 2 POLE UNITS ARE ALSO AVAILABLE IN 3 POLE CONSTRUCTION WITH CENTER POLE OMITTED. CATALOG NUMBERS ARE THE SAME AS 3-POLE WITH SUFFIX "-2P". (EXAMPLE: PT323-2P)

NOTE: 240 & 480Y/277 VOLT CLASS T PULLOUTS ARE DESIGNED TO RECEIVE 50 AMP FUSES. 600 VOLT PULLOUTS ARE DESIGNED TO RECEIVE 600 VOLT CLASS T FUSES.

FUSES ARE NOT INCLUDED WITH ANY UNITS.



CAT. NO. TK100P
30-100 AMP
Wire Range #1/0 to 14 AWG AL9CU



CAT. NO. TK60P
30-60 AMP
Wire Range #2 to 14 AWG AL7CU

WIRE SIZE	TORQUE RANGE
#14-#10	32-35 in.-lbs
#8 & #4	36-40 in.-lbs
#3-#1/0	40-45 in.-lbs
	45-50 in.-lbs

30-100 AMP, 240-600 VOLT FUSIBLE PULLOUT SWITCHES

SCALE:	APPROVED BY:	DRAWN BY:
DATE: 4-6-87		JWE
	REVISED:	3