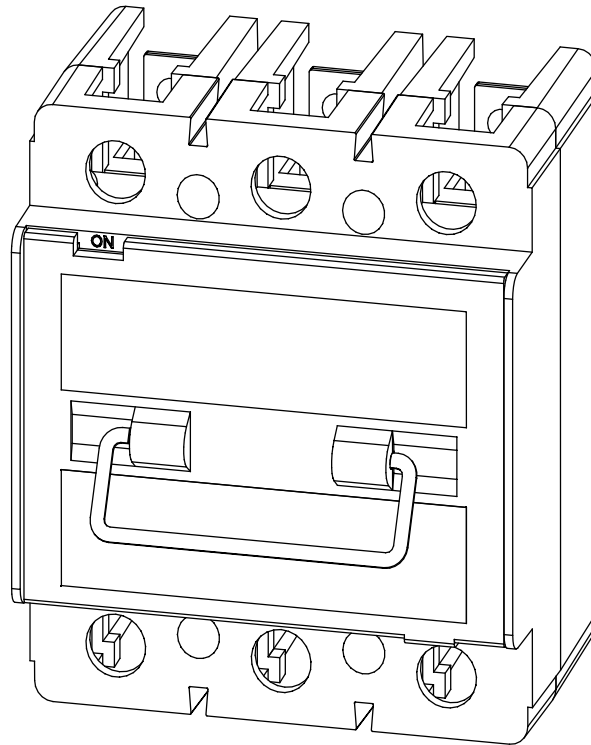


boltswitch[®]

400 AMP PULLOUT SWITCH

SERIES "PA"

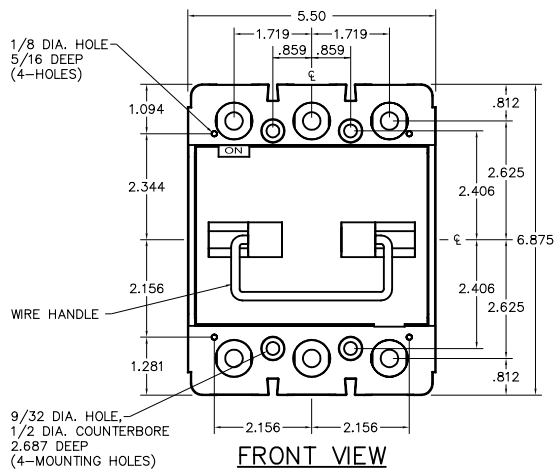


VOLTAGE	CATALOG NUMBERS		
	1-POLE	2-POLE	3-POLE
240 AC/125 DC	PAT325-1P	PAT325-2P	PAT325
600 AC	PAT365-1P	PAT365-2P	PAT365

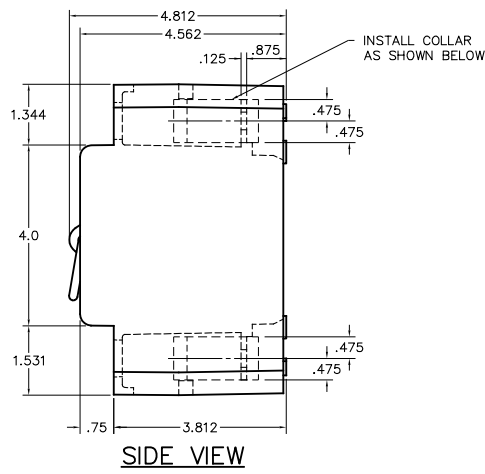
APPLICATION: These are load break switches designed primarily for installation in panelboards, control panels, and meter banks. They receive Class T fuses.

RATING: 400 amperes at 240 & 600 volts AC. Suitable for use on circuits capable of delivering 200,000 RMS symmetrical amperes. DC rated switches are suitable for use on circuits capable of delivering 50,000 amperes at 125 volts DC.

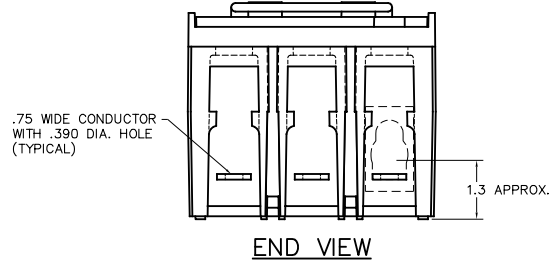
TESTS: Tested in accordance with UL1429, and listed as "Pullout Switches" under file No. E131005.



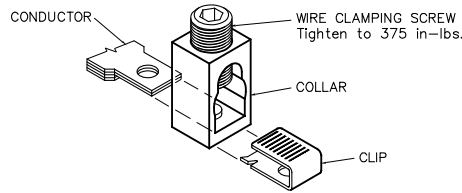
FRONT VIEW



SIDE VIEW



END VIEW



CAT. NO. TK400PA

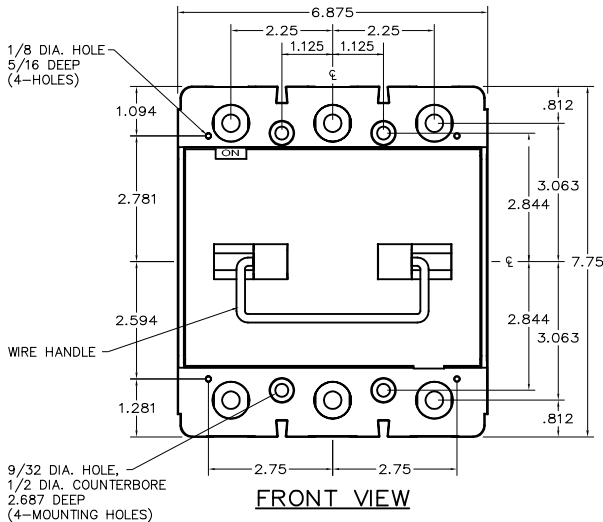
Wire Range 500MCM-2 or TWO 250MCM-1/0 AL7CU

NOTE:
240 VOLT CLASS T PULLOUTS ARE DESIGNED TO RECEIVE 300 VOLT CLASS T FUSES. FUSES ARE NOT INCLUDED.

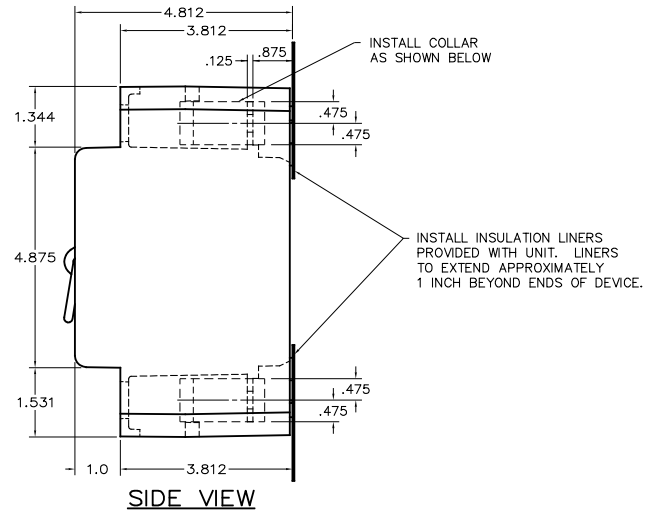
CLASS T FUSIBLE				
VOLTAGE	AMPACITY	CATALOG NUMBERS		
		1 - POLE*	2 - POLE*	3 - POLE
240 AC/125 DC	400	PAT325-1P	PAT325-2P	PAT325

*1-POLE & 2-POLE UNITS HAVE SAME OVERALL DIMENSIONS AS 3 POLE UNITS. 1-POLE UNITS HAVE OUTER POLES OMITTED, 2-POLE UNITS HAVE CENTER POLE OMITTED.

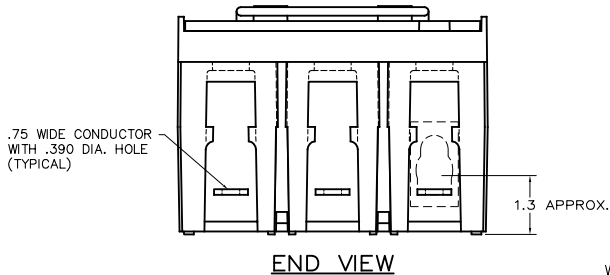
SERIES "PA" 400 AMP, 240 VAC FUSIBLE PULLOUT SWITCHES			
SCALE:	APPROVED BY:	DRAWN BY JWVE	
DATE: 3-9-05		REVISED	
boltswitch, Inc.			DRAWING NUMBER
CRYSTAL LAKE, ILLINOIS 60014			O-1590



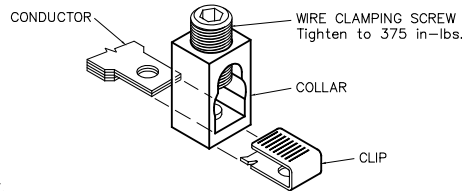
FRONT VIEW



SIDE VIEW



END VIEW



CAT. NO. TK400PA

Wire Range 500MCM-2 or TWO 250MCM-1/0 AL7CU

NOTE:
FUSES ARE NOT INCLUDED.

CLASS T FUSIBLE				
VOLTAGE	AMPACITY	CATALOG NUMBERS		
		1 - POLE*	2 - POLE*	3 - POLE
600 AC	400	PAT365-1P	PAT365-2P	PAT365

*1-POLE & 2-POLE UNITS HAVE SAME OVERALL DIMENSIONS AS 3 POLE UNITS. 1-POLE UNITS HAVE OUTER POLES OMITTED, 2-POLE UNITS HAVE CENTER POLE OMITTED.

SERIES "PA" 400 AMP, 600 VAC FUSIBLE PULLOUT SWITCHES			
SCALE:	APPROVED BY:	DRAWN BY JWVE	
DATE: 3-9-05		REVISED 1	
boltswitch, Inc.			DRAWING NUMBER
CRYSTAL LAKE, ILLINOIS 60014			O-1591