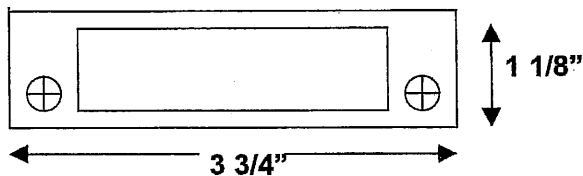


PFS3311 SERIES PULLOUT FUSE BLOCK

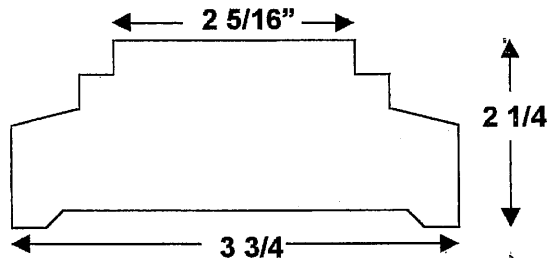
DESCRIPTION

- ⇒ SUITABLE FOR USE ON A CIRCUIT CAPABLE OF DELIVERING NOT MORE THAN 10,000 RMS SYMMETRICAL AMPERES, 240 V MAXIMUM. CONTINUOUS LOAD CURRENT NOT TO EXCEED 80% OF THE RATING OF FUSES EMPLOYED IN OTHER THAN MOTOR CIRCUITS
- ⇒ "S" SUFFIX INDICATES INVERTED 10 X 32 X 3/4 STUD
- ⇒ 30 AMP RATED SINGLE POLE FUSE BLOCKS FOR USE WITH SWITCHGEAR & TRANSFORMERS FOR UTILITY COMPANIES

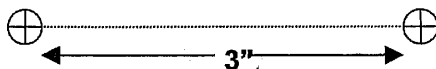
TOP VIEW



SIDE VIEW



SCREW HOLE TO SCREW HOLE MEASUREMENT



- ⇒ ALL HOLES TO BE $\frac{7}{32}$ " DIAMETER

H.C. ZANG AGENCY INC.
6204 GOODRICH ROAD (REAR SUITE) • CLARENCE CENTER, NY 14032
PH (716) 877-3677 • FX (716) 877-1983 • INFO@ZANGAGENCY.COM

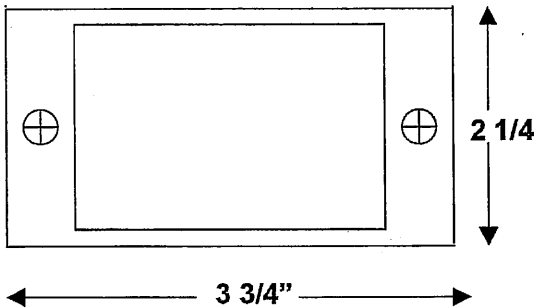
DOCUMENT # 3311

PFS3322 SERIES PULLOUT FUSE BLOCK

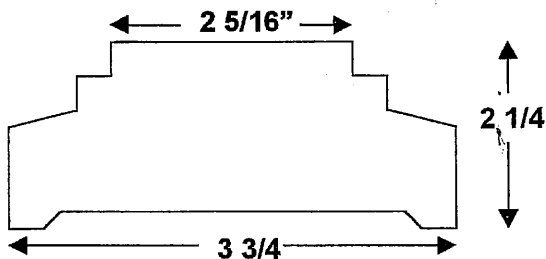
DESCRIPTION

- ⇒ SUITABLE FOR USE ON A CIRCUIT CAPABLE OF DELIVERING NOT MORE THAN 10,000 RMS SYMMETRICAL AMPERES, 240 V MAXIMUM. CONTINUOUS LOAD CURRENT NOT TO EXCEED 80% OF THE RATING OF FUSES EMPLOYED IN OTHER THAN MOTOR CIRCUITS
- ⇒ "S" SUFFIX INDICATES INVERTED 10 X 32 X ¼ STUD
- ⇒ 30 AMP RATED DOUBLE POLE FUSE BLOCKS FOR USE WITH SWITCHGEAR & TRANSFORMERS FOR UTILITY COMPANIES

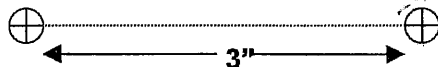
TOP VIEW



SIDE VIEW



SCREW HOLE TO SCREW HOLE MEASUREMENT



- ⇒ ALL HOLES TO BE 7/32" DIAMETER

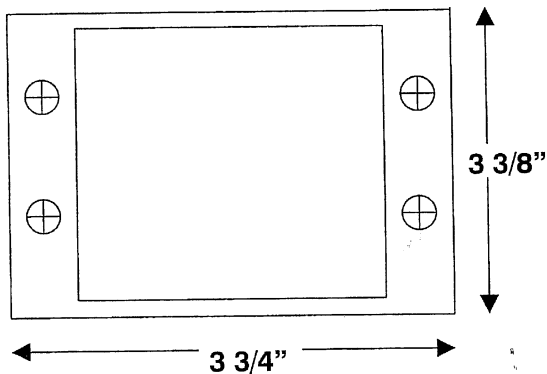
H.C. ZANG AGENCY INC.
6204 GOODRICH ROAD (REAR SUITE) • CLARENCE CENTER, NY 14032
PH (716) 877-3677 • FX (716) 877-1983 • INFO@ZANGAGENCY.COM

PFS3333 SERIES PULLOUT FUSE BLOCK

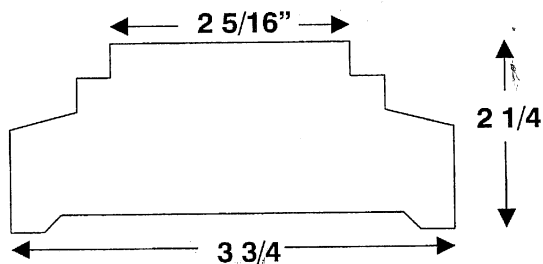
DESCRIPTION

- ⇒ SUITABLE FOR USE ON A CIRCUIT CAPABLE OF DELIVERING NOT MORE THAN 10,000 RMS SYMMETRICAL AMPERES, 240 V MAXIMUM. CONTINUOUS LOAD CURRENT NOT TO EXCEED 80% OF THE RATING OF FUSES EMPLOYED IN OTHER THAN MOTOR CIRCUITS
- ⇒ "S" SUFFIX INDICATES INVERTED 10 X 32 X 3/4 STUD
- ⇒ 30 AMP RATED THREE POLE FUSE BLOCKS FOR USE WITH SWITCHGEAR & TRANSFORMERS FOR UTILITY COMPANIES

TOP VIEW



SIDE VIEW

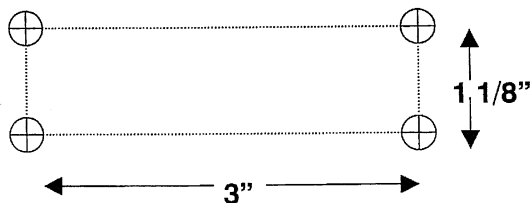


H.C. ZANG AGENCY INC.
6204 GOODRICH ROAD (REAR SUITE) • CLARENCE CENTER, NY 14032
PH (716) 877-3677 • FX (716) 877-1983 • INFO@ZANGAGENCY.COM

DOCUMENT # 3333

PFS3333 SERIES PULLOUT FUSE BLOCK

SCREW HOLE TO SCREW HOLE MEASUREMENT



⇒ ALL HOLES TO BE 7/32" DIAMETER

⇒ FOR INFORMATION REGARDING FUSES PLEASE REQUEST
DOCUMENT# 6464

⇒ FOR INFORMATION REGARDING ACCESSORIES PLEASE REQUEST
DOCUMENT# 1948

H.C. ZANG AGENCY INC.
6204 GOODRICH ROAD (REAR SUITE) • CLARENCE CENTER, NY 14032
PH (716) 877-3677 • FX (716) 877-1983 • INFO@ZANGAGENCY.COM

DOCUMENT # 3333