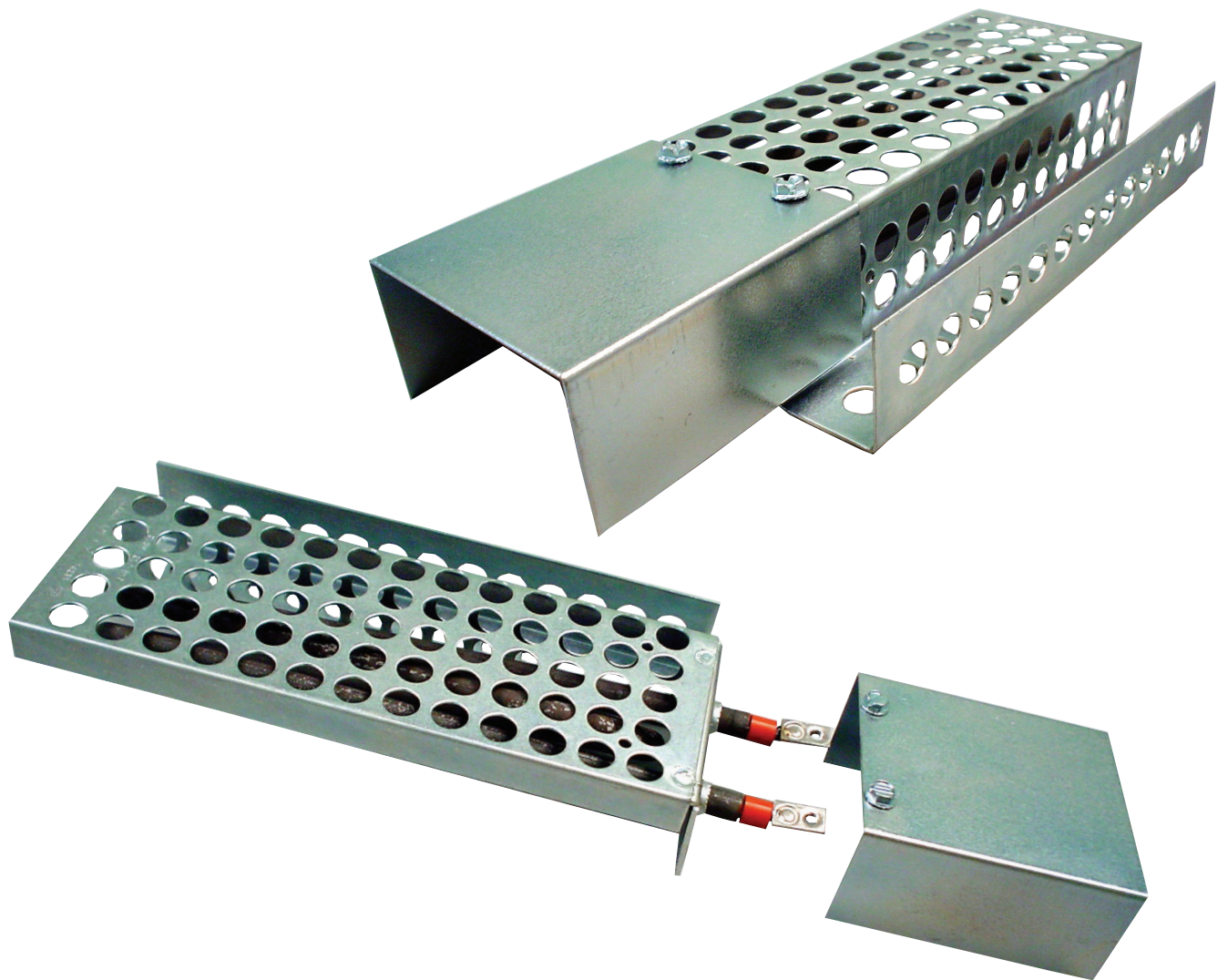


Switchgear Space Heaters



Type 1

(U.L. recognized component)

Applications

HEATREX Switchgear Space Heaters are designed to maintain temperature and minimize moisture inside electrical and mechanical equipment enclosures. They conveniently replace strip heaters or other less efficient heating devices.



Standard Features

- Alloy sheathed tubular element
- Grade "A" magnesium-oxide
- Highest quality nickel chromium resistance wire
- Perforated plated steel shroud
- Multitude of 3/8" diameter mounting holes on Type 1

Optional Features

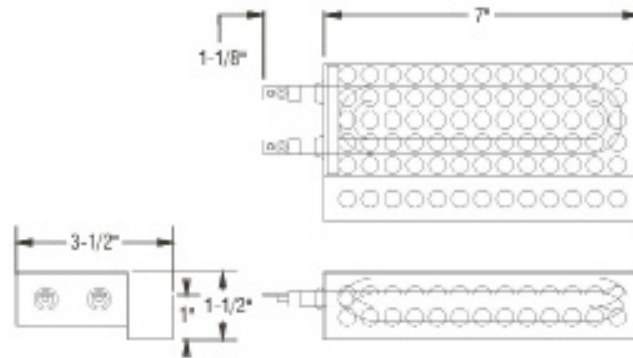
- Custom wattages/voltages
- Custom dimensions/sizes
- Special moisture resistant vulcanized terminal with lead wire
- Custom mounting brackets and shrouds

Benefits

- Long life element
- Easy installation
- Less expensive than strip heaters
- Corrosion resistant mounting bracket offers maximum protection from accidental contact of heating element while allowing continuous circulation of air

Installation

Switchgear space heaters can be mounted to equipment cabinets utilizing the perforated holes. Terminals on Type 1 have #8-32 screw tabs for convenient electrical connections. Type 2 and Type 3 heaters are equipped with mounting tabs and #10-32 threaded "stud" type electrical terminals.



Watts	Volts	Catalog Number
100	125	276-1
100	250	276-2
125	120	276-19
125	240	276-27
150	120	276-24
150	208	276-16
150	240	276-17
250	125	276-3
250	250	276-4
300	125	276-7
300	250	276-8
350	125	276-5
350	250	276-6
375	125	276-10
375	250	276-11